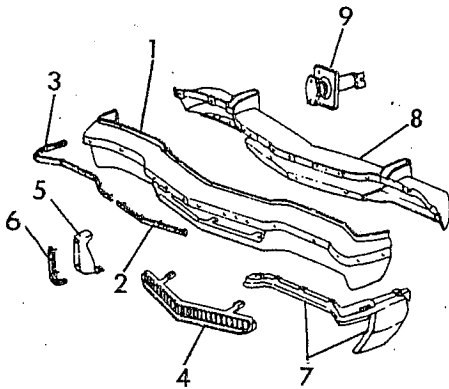


CHRYSLER

CORDOBA 1975-76

## FRONT BUMPER

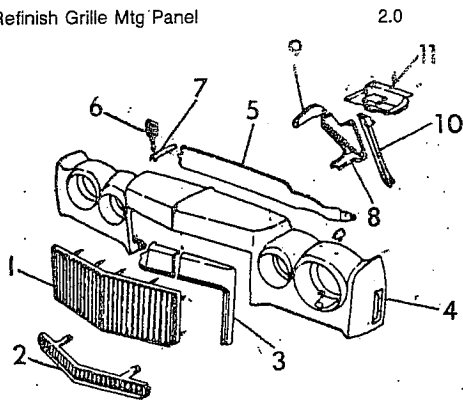
R&I Bumper Assembly	.8
Includes R&I w/o Nerf Strips	1.6
w/Nerf Strips	1.8



1 Face Bar w/o Nerf Strips	3835175	1.6	102.28
Use w/Nerf Strips	3835176	1.8	102.28
Strip, Nerf			
2 Center	3835194	6.99	
3 End	3835186-7	14.71	
4 Grille, Lwr (In Bmpr)¶	75 3781464	.2	13.29
	76 3868121	.2	13.29
¶Also Listed in Grille			
5 Guard	3835192-3	16.07	
6 Cushion, Guard	3753518	3.13	
7 Filter, to Fender Black¶	R E734LX9	#.3	12.53
	L E735LX9	#.3	12.53
# R&R Both .5 w/Bumper Assy Rem			
8 Reinforcement	75 3835181	73.20	
	76 4001255	73.21	
9 Abs, Energy Impact # w/Bumper Assy Rem	3845355	#.3	46.04
¶For Colors Not Listed, Call Dealer			

## GRILLE

Refinish Grille Mtg Panel



1 Grille, Upper	75 3781351	.5	32.82
	76 3868120	.5	32.82
2 Grille, Lower¶	75 3781464	.2	13.29
	76 3868121	.2	13.29
¶Also Listed in Front Bumper			
3 Frame (Mldg) w/Letters # w/Grille Assy Rem	3781491	#.3	30.80
4 Panel, Front # Includes R&R Grille & Lamps, Add .5 to Aim Lamps	3781697	#.3.5	56.55
5 Cross Bar, Panel Upper	3781318	8.03	
6 Ornament, Panel	3781278	.2	12.53
7 Moulding (Base), Mtg Panel Ornament	3781618	#.3	8.33
# Includes R&R Ornament Brace, Panel Hood Vert Lock Supt¶	3781051	2.45	

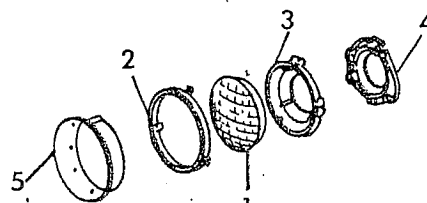
CONT'D

## GRILLE CONT'D

9 Brace, Panel Lower	3781354-5	1.73	
10 Support, Hood Vert Lock¶	3781139	4.95	
11 Plate, Hood Vert Supt	3781348	5.21	
¶Also Listed in Hood			

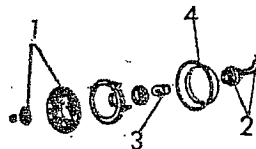
## FRONT LAMPS

### HEADLAMP



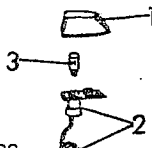
Lamp Assy - NSS	152700	.2	4.00
1 Sealed Beam	3691760	.3	4.02
2 Ring, Retaining	4026404-5	.3	3.87
3 Seat & Screw, Beam	3781099	.4	1.84
4 Adapter, Lamp	3781090-1	13.61	
5 Door or Bezel			

### PARK & SIGNAL LAMP



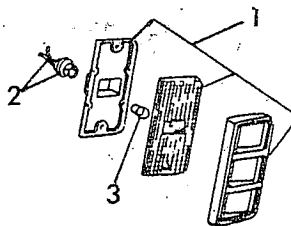
Lamp Assy - NSS			
1 Lens & Housing	3798040	.3	6.29
2 Socket w/Cable	3843432	2.50	
3 Bulb Price Per 100	9423295	144.00	
4 Bezel (Door)	3798232	4.18	

### TURN SIGNAL INDICATOR (ON FENDER)



Lamp Assy - NSS			
1 Cover	3679255	.2	1.76
2 Socket w/Cable	75 3843238	2.76	
	76 3843799	2.77	
3 Bulb Price Per 100	9425542	38.00	

### SIDE MARKER LAMP

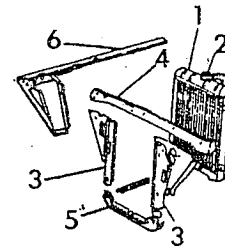


1 Lamp Assy	3798261	.3	8.02
2 Socket & Cable (Repair)	3513686	1.27	

## COOLING & ENGINE

### COOLING

AP - AIR PUMP



1 Radiator 318	w/o AC 75	3781734	.9	123.39
	76	3869934	.9	123.38
	¶ 75	3781736	#.9	161.15
	76	3869936	#.9	161.15
	¶ 75	3781757	#.9	161.15
	76	3869957	#.9	161.15
¶w/o or w/o Max Cool #w/AC Add .2				
2 Cap, Radiator Filler		3781830	2.81	
3 Panel, Radiator Side 318	19" Core	3781224-5	#.1.3	6.73
	318, 360, 400 28" Core	3781228-9	#.1.3	6.73
	Crossmember, Side Panel			
4 Upper		3781142	#.1.0	9.51
5 Lower¶		3817084	#.1.7	24.36
¶Also Listed in Frame #w/Necessary Bolted Parts/Removed R&R Both Side Panels & Upper X-Member 3.0, R&R Both Side Panels & Both X-Members 4.0				
6 Brace, Radiator Support to Cowl	R	3868358	10.76	
	L	3781265	10.73	
Shield, Radiator Air (Plastic) Upper		3781322-3	4.69	
Lower		3781063	4.18	
Lower Extension		3781416	2.90	
Shroud, Fan 19" Core		3691920	11.28	
	28" Core	3781821	14.20	
Hose, Upper exc	75	3870140	.3	5.56
	76	3870140	.3	5.56
	75	3462166	.3	5.06
	76	3870129	.3	5.06
	75	3870141	.3	5.56
	76	3870141	.3	5.56
Hose, Lower, exc	75	3870104	.4	6.55
	76	4006513	.4	5.89
	75	3870103	.4	5.89
	76	4006514	.4	6.55
	75	3870110	.4	6.16
	76	4006515	.4	6.16
Blade, Fan 4 Blade		2863214	#.4	8.77
	5 Blade 18 1/2" Dia	3462139	#.4	22.87
	20" Dia	3462190	#.4	22.84
	7 Blade	3462186	#.4	24.21
#w/AC Add .2				
Pulley, Fan w/o AC (1 Groove)				
	318, 360	3769130	5.39	
	400	3769145	5.39	
w/o AC (2 Groove)				
	318, 360	3870212	7.46	
	400	4026615	8.81	
w/AC (1 Groove)				
	318, 360	3751126	5.13	
	400	3698907	5.39	
w/AC (2 Groove)				
	318, 360	3698805	7.48	
	400	3698917	7.48	
Pulley, Drive - See Engine				

CONT'D

COOLING & ENGINE CONT'D

COOLING CONT'D

Belt, Drive			
Engine to Alternator to Fan			
318, 360	75 3671524	#	5.37
	76 4027303	#	5.40
400	75 2843221	#	5.30
	76 4027313	#	5.30
Engine to Strg Pump to Fan (w/AC)			
318, 360	75 2951304	#	5.17
Engine to Steering Pump			
318, 360	75 3675427	#	4.65
	76 4027320	#	4.55
400	exc 75 2951920	#	5.07
	76 4027322	#	5.10
w/4 BC, w/AP	75 3751387	#	5.34
	76 3837671	#	5.19
Engine to Air Pump			
318, 360	75 2951984	#	4.65
	76 exc 4027303	#	5.40
100 Amp AH	4027313	#	5.30
Calif	4027328	#	5.30
400	3418952	#	5.40
Engine to Alt to AC Comp (Dual Set)			
318, 360	3462974	#	11.32
400	3751382	#	12.44
#R&R Any Outside Belt .3, Ea Add Belt Add .1			
Drive Unit, Fan Clutch			
w/o AC	3870135		42.80
Pump, Water			
exc	3780109	#1.2	33.95
318 w/4 3/8" Impell	3780108	#1.2	33.95
400	3780127	#.8	33.09
#w/AC Add .5 #w/AC Add .2			32.58
Housing, Water Pump 400	3879725		.3
Tank, Coolant Recovery	3781800		5.50

SMOG CONTROL SYSTEM

Pump, Air	exc 3837647	.8	73.83
	400 Eng 3830649	.8	73.83
Pulley, Air Pump	75 3870088	.4	3.27
	76 exc 3870088	.4	3.27
	Calif 4027344	.4	4.39
Belt, Pump Drive - See Cooling			

ELECTRICAL

Horn Assy	Hi-Note 2808869	.2	11.74
	Lo-Note 2808868	.2	11.74
Horn Ring or Pad - See Steering Column			
Relay, Horn	3843233	.3	3.45
Cap, Distributor	2444507	.4	4.85
Relay, Starter	2444442	.3	4.75

ALTERNATOR PARTS

Shield or Frame, Alternator			
Front	exc 3656443	#	11.43
	100 Amp 3755596	#	19.75
Rear	exc 75 3874272	#	32.27
	76 3874272	#	32.27
	65 Amp 75 3874273	#	32.27
	76 3874273	#	32.27
	100 Amp 3755612	#	50.33
#R&R One or Both 1.3			
Pulley, Alternator			
One Groove	2444478	#.6	4.18
Two Groove	exc 3656571	#.6	4.64
	100 Amp 75 3874327	#.6	11.00
	76 3874327	#.6	11.00
#Includes R&R Alternator			
Belt, Drive - See Cooling			
Regulator, Voltage	75 3755960	#.2	21.50
	76 3874520	#.2	21.50

CONT'D

COOLING & ENGINE CONT'D

ENGINE

Engine Assy R&R			
V8 AT		#7.3	
¶Does Not Incl Transfer of Parts or Tune Engine			
Engine Assy R&R		#9.8	
V8 AT			
¶Incl Transfer Fuel, Elec Assys, Engine Mts & Minor Engine Tune			
Short Block Assy R&R		#18.6	
V8 AT			
¶Includes Clean & Transfer All Necessary Parts & Accessories, Grind Valves & Minor Engine Tune			
#w/AC Add 1.0, Does Not Incl Evacuate & Recharge System			1.0
Adjust Linkage Complete			3.9
Transmission R&R Automatic			
Damper, Vibration	318 3614369	#1.2	31.31
	360 3751808	#1.2	31.31
	400 75 3614374	#.9	31.31
	76 3830184	#.9	31.33
#exc w/Rad Rem .5, w/AC Add .3			
Pulley, Crankshaft			
2 Groove	318, 360 3769135	#	7.48
	400 3769148	#	8.82
	w/o AC 3770069	#	13.82
3 Groove	w/AC 3614377	#	13.79
	w/o AC 3870074	#	17.35
4 Groove	w/AC 3614382	#	15.64
#.8 exc w/Rad Rem .4, w/AC Add .3			
Insulator, Front Support			
Right	318, 360 3642810	#	8.97
	400 3642814	#	8.76
Left	318 75 3642811	#	8.97
	76 3817167	#	8.81
	360 3642813	#	8.60
	400 w/2 BC 3837096	#	8.76
	w/4 BC 3817117	#	8.76
#Right .7, Left .9, Both 1.4			
Insulator, Rear Support			
exc	3642831	.4	7.81
Catalytic Exh Sys	75 3726819	.4	8.80
	76 3726821	.4	8.81
Cover, Timing			36.31
318, 360	75 2951671	#2.4	38.31
	76 3769964	#2.4	
400	75 3698614	#2.4	16.30
w/o Lean Burn	76 3830797	#2.4	
w/Lean Burn	76 4027560	#2.4	16.30
#w/AC Add .5			
Pan, Oil	318 75 3614227	2.2	30.85
	76 4006387	2.2	30.85
	360 4006391	2.2	30.83
	400 3614970	2.3	30.85
	318 3780200		5.05
Gasket, Oil Pan	360 3549388		5.17
	400 2658685		1.83
Pump, Fuel			
318, 360	75 3744806	.7	17.15
	76 4026253	.7	19.38
400	75 3685799	.7	17.35
w/o Emsn Cont	3879761	.7	17.35
w/Emsn Cont	76 4026254	.7	19.47
Filter, Oil			
Sealed Can Type			
Short	3549957	.3	4.75
Long	1851658	.3	4.75
Hi-Speed Competition	2536186	.3	4.75

AIR CONDITIONING

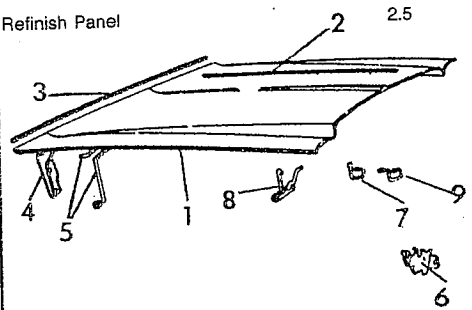
Condenser	3502917	.8	114.30
Compressor w/o Pulley	3609285	.9	127.39
Clutch & Hub	exc 3502812	.8	71.71
	7 3/4" Dia 3846149	.8	71.70
Belt, Comp Drive - See Cooling			
Receiver Drier	3502015	.7	26.75
Motor, Blower	3879332	1.5	35.25

HEATER PARTS

Motor, Blower			
w/o Upper Level Vent	3579172	1.3	25.75
w/Upper Level Vent	3838098	1.3	28.84

HOOD

Refinish Panel

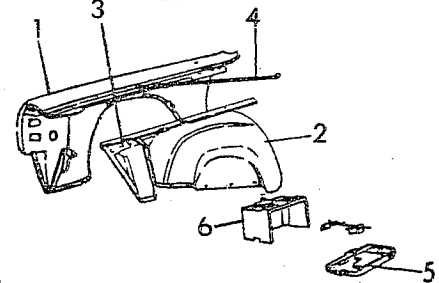


1 Panel	To 10-17-75 3833592	1.1	147.96
	Fm 10-17-75 3850408	1.1	147.96
2 Moulding Pkg, Center	3781483	.3	12.14
3 Moulding, Rear Edge	3811025	.3	4.30
4 Hinge	3781638-9	#	6.84
#.2 w/Hood Removed			
5 Bar, Hinge Torsion	3781258-9	.3	7.46
6 Lock or Latch	3760498	.2	7.81
Cable Assy, Lock Rel w/Inst Pnl Mtg	75 3796606	.5	10.50
	76 3882190	.5	9.72
7 Striker, Lock	3882117	.2	1.87
8 Catch w/Handle, Safety	3796620	.2	3.44
9 Striker, Safety Catch Silencer	3882118	.2	1.87
	3781272	.2	7.48

FRONT FENDER

Refinish Fender

SHEET METAL

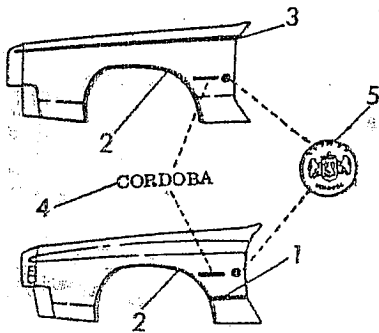


1 Fender	3879362-3	#2.5	124.56
#exc w/Front Panel Removed 2.0			
2 Panel, Wheelhouse	R 3906828	1.0	40.67
	L 4005093	1.0	40.67
Filler, to Bumper			
Black ¶¶	R E734LX9	#.3	12.53
	L E735LX9	#.3	12.53
#R&R Both .5 w/Bumper Assy Rem			
¶Also Listed & Illustrated in Front Bumper			
¶¶For Other Colors, Call Dealer			
3 Brace, Radiator Support to Cowl - See Item 6 in Cooling			
4 Strut, Fender to Cowl	3781144-5		2.71
5 Tray, Battery	3817020		4.62
6 Guard, Battery Thermo	3874151		4.88
Antenna, Radio (Manual)			
Mast (Only)	2889934	.3	8.41
Body & Cable Pkg (Only)	3501294	.4	6.25

CONT'D

## FRONT FENDER CONT'D

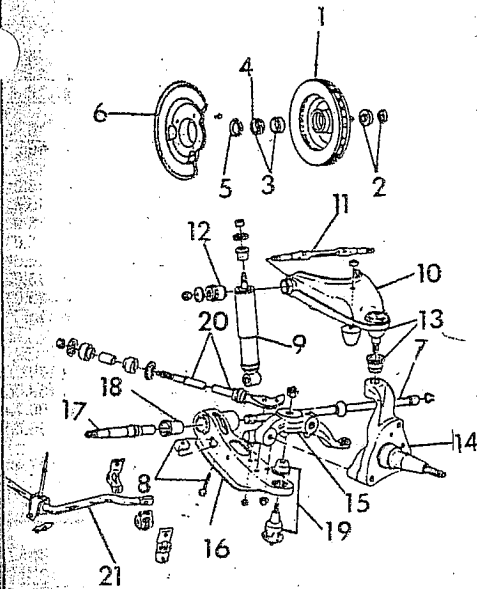
### MOULDINGS & TRIM



1 Moulding Pkg, Side w/Black Insert	3879100	.3	3.53
2 Moulding, Wheel Opening	3811178-9	.3	6.24
3 Tape, Side Stripe (Black)¶			
75-76 Narrow Ctr	R E182LX9	.5	8.67
	L E183LX9	.5	8.67
76 Wide Center	R E386MX9	.5	8.33
	L E963MX9	.5	8.33
¶For Other Colors, Order From Dealer			
4 Nameplate "Cordoba"	3811450	.2	3.57
5 Medallion	3811467	.2	4.18

## FRONT SUSPENSION

O/H One Side 4.0, Both Sides 6.5



1 Hub w/Disc Bearing Pkg, Wheel	3780527	.9	63.97
2 Outer	3838020	#	4.70
3 Inner (Incl Seal)	3683975	#	8.50
4 Cone & Roller, Inner Brg	3580892	#	4.15
5 Seal, Oil	3580723	#	2.55
# R&R Bearings or Seal			
9 Housing (Partial) Disc	3580854-5		77.83
6 Shield, Splash	3580826-7	1.1	3.27
Hose, Brake	To 11-74 3461734	#	5.94
	Fm 11-74 3766613	#	6.66
# One .6, Both .9, Incl Bleed Brakes			
7 Bar, Torsion	3402660-1	.9	21.40
8 Bolt & Swivel Pkg, Bar	3744463	.5	2.60

**CONT'D**

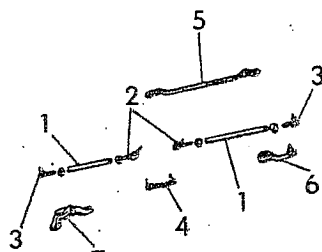
## FRONT SUSPENSION CONT'D

9 Abs w/Bushing, Shock	3744464	.7	14.95
10 Arm, Upper Control¶ w/Rear Isolators	3722690-1	1.9	39.35
¶Includes Items 11 & 12			
11 Bar, Inner - Not Serviced Separately			3.16
12 Bushing, Inner Bar	3402552	1.2	16.05
13 Ball Joint Pkg, Upper	2298534	1.6	67.15
14 Knuckle, Steering	3402640-1	1.4	26.22
15 Arm, Steering Knuckle	3402850-1		
16 Arm, Lower Control¶ w/Rear Isolators	75 R 3815406	2.0	60.69
	L 3722637		60.69
	76 3815406-7	2.0	60.69
¶Includes Items 17 thru 19			
17 Shaft Pkg, Arm	3837079		7.27
18 Bushing, Arm Shaft	3744463		2.60
19 Ball Joint Pkg, Lower	3837087		14.65
20 Strut, Lower Arm	3815471	.6	12.67
21 Shaft or Bar, Sway	3815561	.8	26.92

## WHEEL

Refinish Wheel		.5	
Wheel			
15 x 5.50 - Painted	3621957	.3	25.80
15 x 6.00 - Styled	3580467	.3	44.94
15 x 6.50 - Painted	3699222	.3	36.08
15 x 6.50 - Urethane	3580363	.3	55.43
Ring, Wheel Trim w/Urethane Wheel	3461239		16.13
w/Styled Wheel	3461012		16.97
Cover, Wheel	Std 3580406		22.49
	Deluxe 3461419		56.55
Dome Urethane Whl	3580364		8.91
Styled Whl	3699011		9.15
Cap Urethane Whl	3580360		3.20
Styled Whl	3580360		3.20

## STEERING LINKAGE



1 Tube, Tie Rod End Pkg, Tie Rod	3402581		4.46
2 Inner (L Thread)	3420155	#	10.84
3 Outer (R Thread)	3420154	#	10.84
# One 3, Two One Side .5			
4 Arm, Idler	75 3402583	.5	19.53
	76 3815609	.5	15.45
5 Link, Center	3402735	.5	17.12
6 Arm, Strg Gear (Pitman)	3402729	.5	15.45
7 Arm, Steering Knuckle - See Front Suspension			

## STEERING COLUMN

### WHEEL & TRIM

Wheel, Steering (Black)¶			
Three Spoke	75 P003KX9	.4	38.73
	76 P012MX9	.4	38.73
Soft Rim	75 P006JX9	.4	46.22
	76 P015LX9	.4	46.22
Ring w/Cover, Horn Partial Black¶	75 P105KX9		16.53
	76 3748945		2.16
Button, Horn			
Soft Rim Wheel	3575564		2.11
¶For Colors Not Listed, Call Dealer			

### COLUMN - STANDARD

Column Assembly w/Column Shift	R&R 2.1	O/H 3.1
w/Floor Shift	1.5	2.5

**CONT'D**

## STEERING COLUMN CONT'D

### COLUMN - STANDARD CONT'D

Jacket, Column	75 3748232	36.31
Column Shift	76 3748982	36.31
	75 3748233	36.31
	76 3748982	36.31
Floor Shift		
Shaft, Column		
Upper	3748269	24.19
Intermediate	3748258	7.13
Coupling, Column Shaft		
Upper to Lower	3748263	3.19
Body, Shaft Coupling		
Lower to Gear	3748268	8.56
Repair Kit, Collapsible Steering Shaft	3514996	#3.6 7.72
# Incl R&R Shaft for Inspection & Repair		

### COLUMN - TILT

Column Assy	R&R 2.2	O/H 3.4
Column Shift		
# Incl R&I Assy		
Jacket, w/Shift Tube	3748493	68.58
Shaft, Column		
Upper	NA	
Intermediate	4019317	58.82
Lower	3467817	4.62
Coupling	3748263	3.13
Body, Coupling	3748268	8.56
Repair Kit, Collapsible Steering Shaft	3514996	7.72

## STEERING GEAR

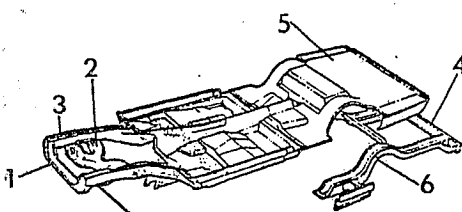
### GEAR - POWER

Gear Assembly Power Steering		Adj .5	R&R 1.5
O/H 4.6 Incl R&I Gear			
Chuck Assy (Gear Assy)	3643014		263.75
Worm w/Piston	2948855		53.94
Shaft, Gear (Cross)	2537776		33.44
Valve, Gear (on Housing)	3643027		27.28
Housing, Gear	3643013		52.89

### PUMP - POWER

R&R Pump Assembly		1.5
O/H Includes R&R		1.9
Pump Assembly (w/o Pulley)		
Key Slot Shaft		
318, 360 w/o Air Pump	2891544	113.76
w/Air Pump	2891548	113.76
400 w/o Air Pump	2891651	113.76
3/8" Hole Shaft		
400 w/Air Pump	2891463	117.84
Pulley, Pump		
Key Slot Shaft		
318, 360	3870089	.6 6.22
400 w/o Air Pump	3830967	.6 6.22
3/8" Hole Shaft		
400 w/Air Pump	3698826	.6 6.22
Belt, Pump Drive - See Cooling		
Reservoir w/Filler		
Key Slot Shaft		
318, 360 w/o Air Pump	2891514	.8 20.84
w/Air Pump	2891583	.8 20.84
400 w/o Air Pump	2891513	.8 16.37
3/8" Hole Shaft		
400 w/Air Pump	2891593	.8 7.51
Cooler, Pump Oil		
Key Slot Shaft		
w/o Air Pump	2891562	.3 8.81
w/Air Pump	2891588	.3 8.81
3/8" Hole Shaft		
w/Air Pump	2891597	.3 8.81
Hose, Pump Pressure		
Key Slot Shaft		
w/o Air Pump	2891669	.3 13.55
w/Air Pump	2891566	.3 13.55
3/8" Hole Shaft		
400 w/Air Pump	2891402	.3 13.55
Hose, Pump Return	2537699	.2 1.47
Key Slot Shaft Pump Has a "Ham" Shaped Reservoir w/Pressure Fitting at Rear of Pump		
3/8" Hole Shaft Pump Has a Round Reservoir w/Pressure Fitting at Front of Pump		

**FRAME**



1 Crossmember, Front	3817084	# 1.7	24.36
¶Also Listed in Cooling # w/Bolted Parts Removed			
2 Crossmember, Front Suspension			
318, 360	3817139	# 3.6	186.33
400	3817135	# 3.6	186.33
# Includes Transfer All Assy's, But Not O/H Assy's or Align Wheels Add to O/H One			
3 Knee 2.5, Both Knees 4.5			
3 Rail, Front Side	75 3833210-1	#	83.60
	76 NA	#	
# R&R Right 7.0, Left 6.0 - Both 11.0, w/Frt Sheet Metal & Susp XMgr Rem			
4 X-Member, Floor Pan Rr	3616920	# 2.0	13.35
5 Pan, Floor Rear	3792007		65.94
6 Rail, Rear Floor Pan Side	3833162-3	# 7.5	83.60
# w/Necessary Bolted Parts Removed			

**EXHAUST**


**MANIFOLDS**

Manifold, Exhaust w/o Air Pump			
318, 360	R 3870059	1.3	46.39
	L 3870336	1.8	40.36
400	R 3830818	1.3	56.42
	L 3830799	1.8	52.24
w/Air Pump			
318, 360	R 3879721	1.3	46.41
	L 3830205	1.8	40.36
400	R 3830041	1.3	59.50
	L 3830044	1.8	52.24

**EXHAUST SYSTEM**

Replace Exhaust System w/o Catalytic Conv		1.6	
w/Catalytic Conv		2.0	
Pipe, Exhaust w/o Catalytic Converter			
318, 360	exc 3818208	.7	49.23
	Dual R 4004212	.7	27.96
	L 4004207	.7	17.57
400	exc 3726994	.7	50.50
	Dual R 4004132	.7	18.59
	L 3818263	.7	15.74
w/Catalytic Converter			
318, 360	3726876	.7	41.93
Converter, Catalytic	75 3906428	.8	160.41
	76 exc 4004180	.8	160.41
318 w/o Calif Emsn	4004294	.8	160.41
Muffler	318 75 3818264	.7	30.25
	76 4004360	.7	30.95
	360, 400 exc 3818228	.7	30.95
	Dual R 3818258	.7	30.95
	L 3726891	.7	30.95
Resonator, w/Tail Pipe			
318	75 3726928	.7	28.00
	76 4004356	.7	33.25
360, 400	exc 3726926	.7	30.55
	Dual R 4004142	.7	38.25
	L 4004163	.7	38.25

**WINDSHIELD**



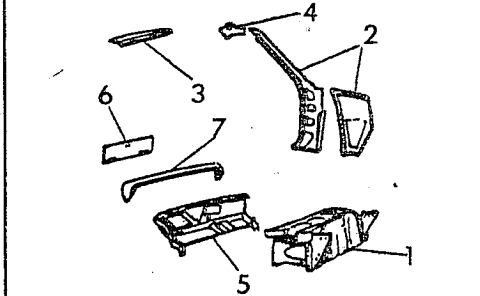
Glass, Windshield			
Clear	NAGS C W838		182.80
Tinted	NAGS T W838		210.25
Installation Materials - Use as Required			
Moulding, Outer			
Upper & Side	3811022-3	#	7.31
Lower	3811035	#	14.81
Lower Corner	3811048-9	#	1.54
# One .5, All .8			
Mirror, Inside Rear View	3861581	.2	12.65
Panel, Sun Visor (White)			
To 4-75	H513KW1	.2	13.07
Fm 4-75	H513LW1	.2	13.79
¶For Colors Not Listed, Call Dealer			
Arm & Bracket, Sun Visor	3861180		4.62

**WIPER & WASHER PARTS**

Blade w/Refill, Wiper			
Anco	3431783		5.30
Trico	3799021		5.30
Refill, Wiper Blade	3799060	.2	2.70
Arm, Wiper	R 3799029	.2	8.05
	L 3799026	.2	11.20
Motor, Wiper	2 Spd 3431790	.7	59.98
	3 Spd 3799024	.7	59.95
Reservoir, Washer	3799057	.5	9.08
Pump & Seal Pkg, Washer	3431969	.5	12.04
Nozzle, Washer	R 3431868		1.47
	L 3431865		1.47

**COWL and DASH**

Refinish		1.0	
Upper Panel		1.0	
Pillar			
R&R Pillar		7.0	
w/Roof Removed			

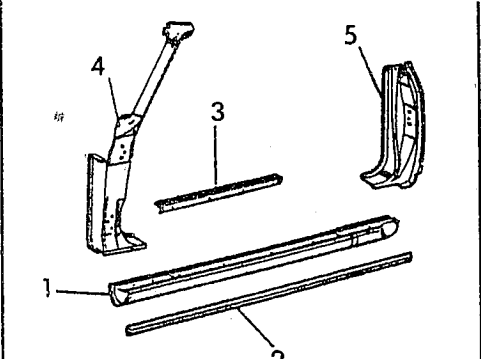


1 Panel, Cowl Top	75 3850354		153.45
	76 3850354		153.45
2 Pnl, Cowl Side	75 3833300-1	#	96.17
	76 3833300-7	#	96.17
# R&R Complete w/Fen, Door & WS Rem 8.0, Cut Below Belt w/Fen & Door Rem 5.6			
3 Frame, Windshield Upper	3482145	# 1.5	24.28
4 Extension, Upper Frame Side Inner	3793006-7	# 1.0	12.99
# w/Roof Removed			
5 Panel, Instrument	75 3590796		113.37
	76 3590796		113.37
6 Door, Glove Box	3590280	.3	5.89
7 Pad, Instrument Safety Trim Black	P407LX9	1.0	73.60
¶For Colors Not Listed, Call Dealer			

**ROCKER PANEL & PILLARS**

Refinish Rocker Panel 1.0

**ROCKER PANEL**



1 Panel, Rkr or Sill Outer	3839598-9	4.5	33.10
2 Moulding, Rocker Panel	3811176-7	.3	12.21
Panel, Rocker or Sill Inner			
Front	3792346-7	# 2.0	13.18
Rear	75 3833456-7	# 2.0	6.24
	76 3833644-455	# 2.0	5.91
# w/Outer Panel Removed			
3 Plate, Sill Scuff	3763098-9	.2	7.81

**PILLARS**

4 Pillar, Hinge Front - See Cowl & Dash			
5 Pillar, Lock Rear - See Quarter Panel			

**SEAT**

Adjuster, Manual Seat	75 3796652-3	#	16.68
Bench Seat	76 R 3796652	#	16.68
	L 3861720	#	16.68
Bucket or Split Seat			
75 Drivers Side	Inner 3796647	#	16.68
	Outer 3796677	#	16.68
76 Drivers Side			
Bucket	Inr 3882029	#	15.01
	Otr 3882050	#	15.01
Split Seat	Inr 3871208	#	15.01
	Otr 3882050	#	15.01
75 Pass Side	Inner 3670254	#	16.68
	Outer 3760390	#	16.68
76 Pass Side	Inner 3871351	#	15.01
	Outer 3882051	#	15.01
# One .6, Both .9			
Adjuster, Electric Seat			
Bucket Seat	L 75 3796784	.9	169.39
Bucket or 60/40	76 3871405	.9	169.38
Bench Seat	Drive 3796782	#	80.74
	Slave 3796781	#	88.55
# R&R One .7, Both One Seat 1.1			
Recliner, Seat Back	3844878-9		17.41

**FRONT DOOR**

Refinish Outside		2.5	
Jams Add		.5	
R&I Door Assembly		1.3	

**SHEET METAL**

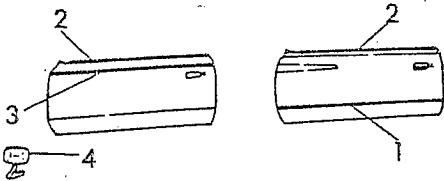
Shell, Door	3833018-9	4.5	208.50
Panel, Repair	3833022-3	5.0	65.28

CONT'D

CHRYSLER

## FRONT DOOR CONT'D

### MOULDINGS & TRIM

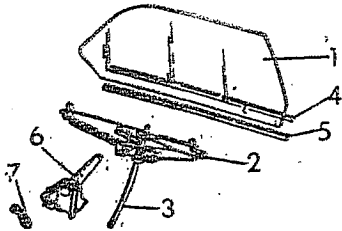


1 Moulding Pkg, Side w/Black Insert	3879023	.3	6.65
2 Moulding, Glass Belt	3811058-9	.3	8.18
3 Tape, Stripe (Black)¶ 75-76 Narrow Ctr	R E184LX9	.5	8.67
	L E185LX9	.5	8.67
	R E388MX9	.5	8.70
	L E965MX9	.5	8.70
76 Wide Center			
¶For Other Colors Order From Dealer			
4 Mirror, Outside Rear View Manual (Rect)	L 3882071	.3	15.38
Remote Control Round	Chrome R 3882075	1.5	35.75
	L 75 3882072	.7	24.67
	76 3871560	.7	24.69
Racing	Prime R. 3882077	1.5	35.75
	L 3882074	.7	24.67
	Chrome R 3882076	1.5	35.75
	L 75 3882073	.7	24.67
	76 3871559	.7	24.69

### HARDWARE

Lock or Latch	3760006-3	.7	21.36
Striker, Lock	3670038	.2	2.74
Cylinder & Keys	exc 3695555		12.95
	Tilt Whl 3548955		7.60
Handle	Outside 3796002	.6	9.22
	Inside 3796014-5	.2	4.85
Hinge	Upper 3788534	#1.0	11.04
	Lower 3788022-3	#1.1	16.09
# R&R Both 1.5			
Weatherstrip	3795198-9	.6	17.91

### DOOR GLASS & PARTS

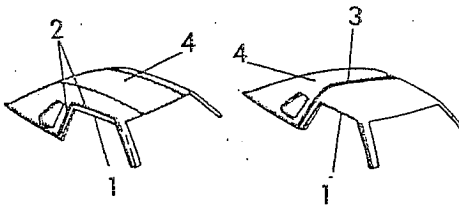


1 Glass, Door¶		1.2	56.75
Clear	3795212-3		64.70
NAGS	C D5203-4		61.75
Tinted	3795214-5		70.10
NAGS	T D5203-4		
¶Glass Only			
2 Plate w/Channel, Guide	3795218-9		7.48
3 Track, Glass	75 3795224-5		4.63
	76 3875668-9		4.64
Weatherstrip, Belt			
4 Outer	3795056-7		4.45
5 Inner	3763302-3		4.45
6 Regulator	Manual 3861052-3	#.9	23.62
	Elec 75 R 3760276	#.9	25.38
	L 3861061	#.9	25.38
# exc w/Door Glass Removed			
7 Handle, Regulator	3861473		6.94
Motor, Regulator	R 3882138		60.31
	L 3861077		60.28

## ROOF

Refinish Roof		4.0	
R&R Headliner		2.0	
Add to Roof R&R w/Vinyl Cover		6.0	
Full Cover Landau Type		4.0	
<b>SHEET METAL</b>			
Panel, Roof	exc 3793021	19.0	96.53
	w/Sun Roof 3793237	22.0	153.85
Rail, Side - Outer	75 NA	2.0	7.80
	76 3793984-5	1.5	7.51
Rail, Side Inner	75 3833198-9	1.5	10.87
	76 3833612-3	1.5	10.87
Lower	3793032-3		7.08

### MOULDINGS & TRIM

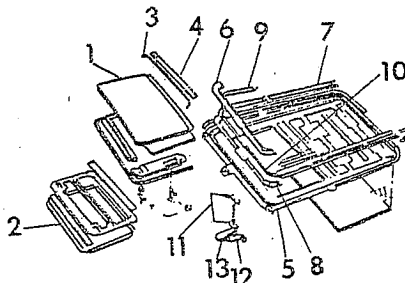


1 Mldg, Side Drain Trough			
	75 3811276		8.36
	76 3811578-9		8.33
2 Moulding, Side Halo Roof - Black¶	R E564LX9		6.60
	L E565LX9		6.60
3 Moulding, Roof Transverse Landau Roof - Black¶	R E572LX9		6.60
	L E573LX9		6.60
4 Cover, Roof Vinyl - Black¶		#8.0	145.16
	Halo Roof E817LX9		145.16
	Landau Roof E818LX9		145.16
# Does Not Include R&R Any Glass			
¶For Colors Not Listed, Call Dealer			
WStrip, Rail Side¶	75 3875592-3	.4	28.52
	76 3875592-3	.4	28.52
Retainer, Rail Side WStrip¶	3795514-5		20.45
¶Includes Front Pillar Lamp, Opera Window Courtesy - See Qtr Pnl			

### SUN ROOF PARTS

#### MANUAL

Refinish Sliding Panel	1.2
O/H Sliding Panel Assy	3.0



1 Panel, Sliding Cover, Vinyl Black¶	3795521	153.85
	E820LX9	17.86
2 Headlining Black¶	H606LX9	45.07
¶For Colors Not Listed, Call Dealer		
3 Seal, Panel Opening		20.82
Use w/Painted Roof	3720533	19.41
Use w/Vinyl Roof	3795474	

## ROOF CONT'D

### MANUAL CONT'D

Seal, Panel Rear	3795476	10.64
4 Weatherstrip, Rear	3795478	1.32
5 Housing	3795315	99.54
Track, Sliding Panel		
6 Front	3795465	7.85
7 Rear - (Side)	3795460-1	16.44
Cover, Track		
8 Front	3795324	8.64
9 Rear - (Side)	3795321	5.19
10 Cable & Guide	3795528-9	23.04
11 Drive Assy	3759823	10.14
12 Handle, Drive	3696955	12.62
13 Escutcheon, Drive Handle	3795325	5.83

## BACK WINDOW

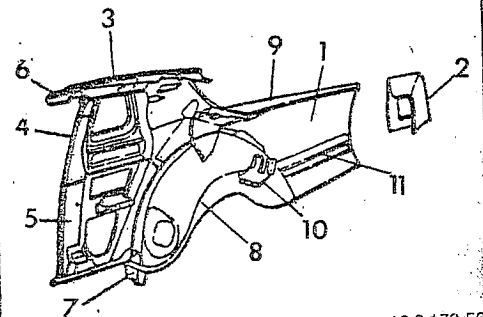


Glass, Back Window¶			
Clear	NAGS C B5208	2.0	80.50
Tinted	NAGS T B5208		89.20
Heated 75	NAGS T B5207	2.2	167.65
Heated 76	NAGS TB5413	2.2	
¶Cemented in Type Installation Materials - Use as Required			
Moulding, Outside w/o Vinyl Roof			
Upper & Side	3811008-9		5.34
Lower	3811026		6.49
Lower Corner	3811010-1		1.34
w/Vinyl Roof (Black)¶			
Upper & Side	75 R E584LW1		7.13
	L E585LW1		7.13
	76 R E628LX9		7.16
	L E629LX9		7.16
Lwr & Corner	75 R E588LW1		10.77
	L E589LW1		10.77
	76 R E630LX9		10.77
	L E631LX9		10.77
Cap, Up & Lwr	75 E586LX9		1.08
	76 E619LX9		1.06
¶For Colors Not Listed, Call Dealer			

## QUARTER PANEL

Refinish Outside	3.0
R&I Trim Panel	.8
R&R w/Roof Removed	12.5
R&R Qtr Panel Cut	
Below Rear Window	13.5
Add to Quarter R&R w/Vinyl Roof Cover	1.5

### SHEET METAL



1 Panel, Outer Repair	3792030-1	16.0	170.56
2 Ext, Outer Panel End	3792560-1	#.7	21.21
# Incl R&R Side Marker & Tail Lamp Assy's			
3 Reinf, Upper at Window Opening	3792148-9		9.14
	75 3792070-1		6.24
Reinf, at Belt	76 R 3792070		6.24
	L 3792589		6.24
	3794252-3		21.55
4 Panel, Inner Upper	3833616-7		17.75
5 Panel, Inner Lower			
6 Support, Inner Panel to Side Roof Rail	75 3793120-1		16.27
	76 3793982-3		

### CONT'D

CORDOBA 1975-76

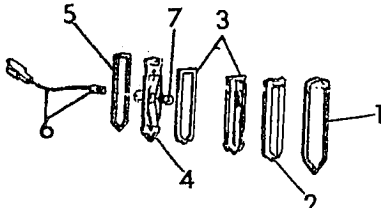
CHRYSLER

QUARTER PANEL CONT'D

SHEET METAL CONT'D

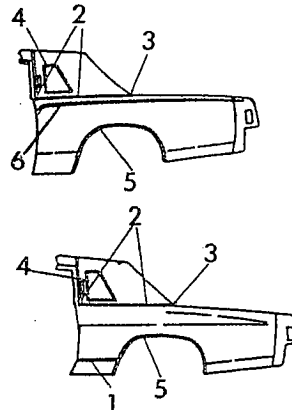
Panel, Wheelhouse			
7 Outer	3792024-5	2.5	25.96
8 Inner	R 3445058	2.0	25.96
	L 3792027	2.0	25.96
9 Trough, Deck Drain	3792080-1	#.5	9.99
#w/Quarter Panel Removed			
Support, Deck Lid Hinge			
Upper	3792396-7		6.38
Lower	3792076		3.77
10 Extension, Rear Pan Side	3792062-3		17.80
Pillar, Rear Lock	3792050-1	#5.0	19.73
#exc w/Quarter Panel Removed 3.0			
For Side Rails - See Frame			

OPERA WINDOW COURTESY LAMP  
(ON QUARTER "B" PILLAR)



Lamp Assembly	3746013		4.79
1 Bezel	3798296		4.95
2 Lens	3488995		1.42
3 Filter & Gasket, Lens - NSS			
4 Housing (Body)	3798289		6.22
5 Gasket, Housing - NSS			
6 Socket & Cable - NSS			
7 Bulb 756¶	9428049		100.00
Price Per 100			

QTR MOULDING



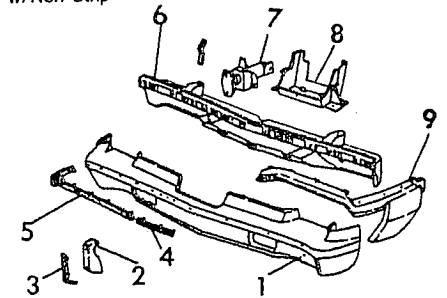
Moulding Pkg, Side			
1 Black Insert	3879022	.2	6.85
2 Moulding, Belt (Incl Front Corner)			
Black¶	R E566LX9	.3	8.90
	L E567LX9	.3	8.90
3 Moulding, Belt Rear Corner			
Black¶	R E568LX9	2.56	
	L E569LX9	2.56	
4 Moulding, Opera Window			
w/o Vinyl Roof	3811372-3		19.22
w/Vinyl Roof - Black¶	R E608LX9		11.31
	L E609LX9		11.31
5 Moulding, Wheel Opening	3811180-1	.3	4.84
6 Tape, Stripe (Black)¶			
75-76 Narrow Ctr	R E186LX9	.6	9.64
	L E187LX9	.6	9.64
76 Wide Center	R E966MX9	.6	9.65
	L E967MX9	.6	9.65
¶For Other Colors, Call Dealer			

LUGGAGE LID CONT'D

10 Bar, Hinge Torsion	3792234-5		5.30
Weatherstrip	75 3792227	.8	11.34
	76 3756844	.8	11.34

REAR BUMPER

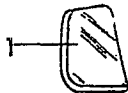
R&I Assembly			.8
O/H Includes R&I			
w/o Nerf Strip			1.6
w/Nerf Strip			1.8



1 Face Bar	exc 3835502	1.6	90.27
	w/Nerf Strips 3835503	1.8	90.27
2 Guard	3835512-3		16.07
3 Cushion, Guard Strip, Nerf	3835564		5.39
4 Center	3835526		6.99
5 End	3835528-9		14.71
6 Reinforcement	3835505		67.92
7 Absorber, Bar Impact	3845080	#.3	46.04
#w/Bumper Assembly Removed			
8 Closure, License Plate	3835520		6.75
9 Filler, to Lower Body Panel			
Black¶	R E730LX9	#.3	20.31
	L E731LX9	#.3	20.31
#R&R Both .5 w/Bumper Assembly Removed			
¶For Colors Not Listed, Call Dealer			

QTR GLASS & PARTS

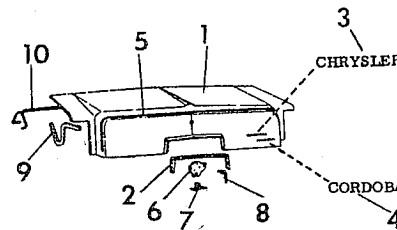
OPERA WINDOW



1 Glass, Quarter¶	3792242-3	1.0	15.70
Clear	C Q5205-6		17.50
NAGS	3792266-7		17.30
Tinted	T Q5205-6		19.25
NAGS			
¶Glass Only	3792367		2.12
Seal, Glass	3792578		.31
Retainer, Lower			

LUGGAGE LID

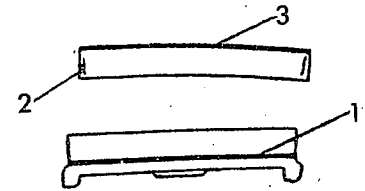
Refinish 2.5



1 Lid, Deck	3833017	1.0	188.86
2 Moulding, License Plate	3811263	.2	10.33
3 Nameplate "Chrysler"	3811390	.2	4.88
"Cordoba"	3811444	.2	2.34
5 Tape, Stripe (Black)¶			
75-76 Narrow Ctr	E218LX9	.5	13.82
76 Wide Center	E371MX9	.5	10.02
¶For Other Colors, Order From Dealer			
6 Lock or Latch	exc 3780024	.3	9.09
	Electric 3780301	.4	15.60
7 Striker, Lock	2244149	.2	1.27
8 Cylinder & Keys	4049405	#	12.22
#R&R Each .3			
9 Hinge	R 3752748	#	7.99
	L 3752749	#	7.99
#.7 exc w/Lid Removed .4			

REAR BODY

Refinish Lower Panel			1.0
Upper Panel			1.0



1 Panel, Lower (Below Lid)	3792093	#4.5	22.01
#Includes R&R Both Rear Qtr Extensions			
Support, Lower Panel			
Outer	3792288-9		3.99
Inner	3792102		3.02
Reinf, Lower Panel	3792332	#4.0	14.79
#w/Outer Panel Removed			
2 Panel, Upper (Above Lid)	3792088	#4.0	18.25
#w/Luggage Lid & Back Glass Rem			
Mldg, Up'r Pnl - Blk¶	R E570LX9		5.03
	L E571LX9		5.03
¶For Other Colors, Order From Dealer			

FUEL TANK

Tank, Fuel	exc 3906503	1.0	88.92
	Dual Exh 3726425	1.0	88.89
Cap, Fuel Filler			
Non-Locking	3906604		2.81
Locking	3583561		7.02
Tube, Fuel Filler			
w/o¶	exc 3906608		10.61
	Dual Exh 3906614		10.61
	3906607		1
w/¶			
¶Emission Control & Nozzle Restrictor			
Gauge, Tank Unit	exc 3879013	.8	18.99
	Calif 4026319	.8	18.93
	Dual Exh 3780566	.8	18.93

CONT'D

## REAR AXLE

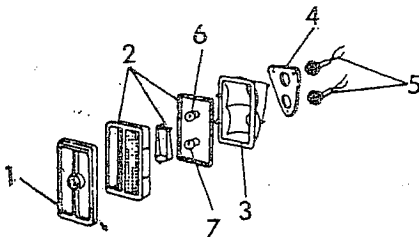
Drum, Brake	10"	3580553	.3	35.97
	11"	3780537	.3	40.17
Support, Brake	10"	3699601	.9	14.96
	11"	3699603	.9	15.78
Hose, Brake	To 11-74	3466798	#.6	8.21
	Fm 11-74	3766606	#.6	10.23
# Includes Bleed Brakes				47.18
Shaft, Axle			1.6	49.77
8 1/4" Ring Gear		2931864	1.6	49.77
9 1/4" Ring Gear	75	3507686	1.6	49.77
	76	3723297	1.6	49.77
Bearing, Axle Shaft		3744495	#1.6	8.30
# Includes R&R Axle & Seals				
Seal, Axle Shaft Oil		2931875	.6	2.70
Housing, Rear Axle			5.0	174.30
8-1/4" Ring Gear	75	3723540	5.0	188.96
	76	3837588	5.0	190.52
9-1/4" Ring Gear		3723564	5.0	190.52

## REAR SUSPENSION

Spring, Rear		3879245	1.3	64.35
Leaf w/Bushing, Main		3845184	1.6	23.60
Shackle & Bushing Pkg		3879282	.8	4.15
Absorber w/Bushings, Shock				
Standard		3815390	.7	14.95
Heavy Duty		3722731	.7	14.95
Bar, Rear Sway		3845007	.7	42.95

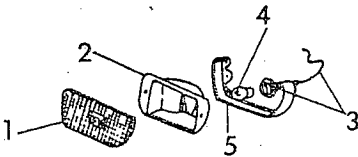
## REAR LAMP

### TAIL, STOP & SIG LAMP



Lamp Assy - Not Serviced				
1 Bezel - NSS			.4	20.18
2 Lens & Bezel Pkg		3798245		16.50
3 Housing		3798241		
4 Gasket, Mounting - NSS				.93
5 Socket		2926370		50.00
6 Bulb, Tail	Price Per 100	9417867		50.00
7 Bulb, Sig	Price Per 100	9417867		50.00

### BACK-UP LAMP



Lamp Assy - Not Serviced				
1 Lens - See No 2			.3	9.08
2 Housing & Lens		3798272-3		5.52
3 Socket & Cable		3843060		73.00
4 Bulb	Price Per 100	9417866		.58
5 Filler, Lamps to Bumper		3798274-5		1.60
Bracket, Lamp		3798293		

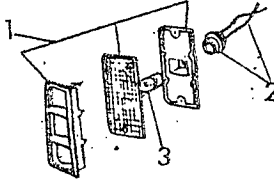
CONT'D

## REAR LAMP CONT'D

### LICENSE LAMP

Lamp Assy - Not Serviced				1.34
Lens		3798163	.2	3.28
Socket & Cable		3843207		38.00
Bulb	Price Per 100	9425542		

### SIDE MARKER LAMP



1 Lamp Assembly		3798268-9	#.2	8.02
# w/Rear Quarter Extension Rem				1.27
2 Socket & Cable (Repair)		3513686		38.00
3 Bulb	Price Per 100	9425542		

