

1975

1976

Dodge

Charger

SE

CHARGER SE 1975-76

FRT BUMPER & LWR GRILLE

R&I Bumper Assy .8
 O/H Includes R&I 1.6
 w/o Nerf Strips 1.8
 w/Nerf Strips

1 Face Bar	Exc	3835175	1.6	102.28
	w/nerf Strip	3835176	1.8	102.28
Strip, Nerf				
2 Center		3835194		6.99
3 End		3835186-7		14.71
4 Grille, Lwr (In Bmpr)		3835186-7	.2	13.29
exc		76 3868126	.2	13.29
Daytona		76 E357LAX	.2	12.11
5 Guard		3835192-3		16.07
6 Cushion, Guard		3753518		3.13
7 Filler, To Fen	Black	R E734LX9	#	12.53
	L	E735LX9		12.53
# R&R One .3, Both .5 w/Bmpr Assy Rem				73.20
8 Reinf		3835181		
9 Absorber, Energy Impact		3845355	#.3	46.04
#w/Bumper Assembly Removed				
¶For Colors, Call Dealer				

GRILLE - UPPER

Refinish Header Panel 2.0

1 Grille, Upper	75	3781350	.5	40.78
exc	76	3868183	.5	40.78
Daytona	76	E356LAX	.5	40.79
2 Nameplate "Dodge"		3781043	.2	3.03
3 Panel, Mounting	75	3781368	#.3.5	56.55
	76	3781697	#.3.5	56.55
# Incl R&R Lamps & Grille Add .5 to Aim Lamps				8.03
4 Cross Bar, Panel		3781318		
5 Ornament, Panel		3781279	.2	12.04
6 Tape, Stripe - Blk¶	75	E177LX9	.4	4.18
	76	E305MX9	.4	4.17
¶For other colors, Call Dealer				
7 Moulding (Base), Orn		3781104	#.3	6.74
# Incl R&R Ornament				
8 Brace, Panel		3781051		2.45
9 Brace, Panel Lower		3781354-5		1.73
10 Supt, Hood Lock Vert		3781139		4.95
11 Plate, Vert Support		3781348		5.21

FRONT LAMPS

HEADLAMP

Lamp Assy - Not Serviced				
1 Sealed Beam	152700	.2	4.00	
2 Ring, Retaining	3691760		4.02	
3 Seat & Screw, Beam	4026404-5	.3	3.87	
4 Adaptor	3781099	.4	1.84	
5 Door or Bezel	3781090-1		13.61	

PARKLAMP

Lamp Assy - Not Serviced				
1 Lens & Housing	3798040	O/H.3.	6.29	
2 Socket & Cable	3843432		2.50	
3 Bulb 1157NA			3.96	
Price per 100	9423295		144.00	
4 Bezel or Door	3798232		4.18	

TURN SIG IND (ON FENDER)

Lamp Assy - Not Serviced				
1 Cover	3679255	.2	1.76	
2 Socket w/Cable	75 3843238		2.76	
	76 3843799		2.77	
3 Bulb 168			38.00	
Price per 100	9425542		38.00	

SIDE MARKER LAMP

1 Lamp Assy	3798261	.3	8.02
2 Socket w/Cable (Repair)	3513686		1.27
3 Bulb 168			38.00
Price Per 100	9425542		38.00

COOLING & ENGINE

COOLING

AP - Air Pump
 MC - Maximum Cooling

1 Radiator				
318 w/o AC or MC	75	3781734	.9	123.39
	76	3869934	.9	123.38
318 w/AC or MC	75	3781736	#.9	161.15
	76	3869936	#.9	161.15
360	75	3781736	#.9	161.15
	76	3869936	#.9	161.15
400	75	3781757	#.9	161.15
	76	3869957	#.9	161.15
#w/AC Add .2				
2 Cap, Radiator		3781830		2.81
3 Panel, Radiator Side				
19" or 22" Core		3781224-5	#.1.3	6.73
28" Core		3781228-9	#.1.3	6.73
Crossmember, Side Panel				
4 Upper		3781142	#.1.0	9.51
5 Lower¶		3817084	#.1.7	24.36
¶Also Listed in Frame Section				
#w/Necessary Bolted Parts Rem				
R&R Both Side Panels & Upper XMbr 3.0,				
R&R Both Side Panels & Both XMbr 4.0				
6 Brace, Radiator Support				
To Cowl	R	3868358		10.76
	L	3781265		10.73
Shield, Rad Air (Plastic)				
Upper		3781322-3		4.69
Lower		3781063		4.18
Lower Extension		3781416		
Shroud, Fan	19" Core	3691920		
	28" Core	3781821		14.20
Hose, Upper				
exc	75	3870140	.3	5.56
	76	3837642	.3	10.16
318 w/o AC	75	3462166	.3	5.06
	76	3870129	.3	5.06
400	75	3870141	.3	5.56
	76	3870141	.3	5.56
Hose, Lower				
exc	75	3870104	.4	6.55
	76	4006514	.4	6.55
318 w/o AC	75	3870103	.4	5.89
	76	4006513	.4	5.89
400	75	3870110	.4	6.16
	76	4006515	.4	6.16
Blade, Fan	5 Blade	3462139	#.4	22.87
	7 Blade	3462186	#.4	24.21
#w/AC Add .2				
Pulley, Fan				
w/o AC (1 Groove)				
318, 360		3769130		5.39
400		3769145		5.39
w/o AC (2 Groove)				
318, 360		3870212		7.46
400	75	4026815		8.81
	76	4026815		8.81
w/AC (1 Groove)				
318, 360		3751126		5.13
400		3698907		5.39
w/AC (2 Groove)				
318, 360		3698805		7.48
400		3698917		7.48
Pulley, Drive - See Engine				
Belt, Drive				
Engine To Alternator To Fan				
318, 360	75	3671524	#	5.37
	76	4027303	#	5.40
400	75	2843221	#	5.30
	76	4027313	#	5.30
Engine To Strg Pump To Fan (w/AC)				
318, 360	75	2951304	#	5.17
	76	NA	#	

DODGE

COOLING & ENGINE CONT'D

COOLING CONT'D			
Engine To Steering Pump			
318, 360	75 3675427	#	4.65
	76 4027320	#	4.55
400		#	5.07
exc 100 Amp Alt	75 2951920	#	5.07
	76 4027322	#	5.10
400		#	5.34
w/4 BC, w/AP	75 3757387	#	5.70
	76 4027323	#	5.70
Engine To Air Pump			
318, 360	75 2951984	#	4.65
	76 4027303	#	5.40
400	75 3418952	#	5.40
	76 NA	#	
Engine To Alt To AC Comp (Dual Set)			
318, 360	3462974	#	11.32
400	75 3751382	#	12.44
	76 4027316	#	6.60
#R&R Any Outside Belt .3, Each Add'l Belt Add 1			
Drive Unit, Fan Clutch			
w/o AC	3870135		42.80
w/AC	3870136		42.80
Pump, Water			
318 w/3 5/8" Impeller	3780109	# 1.2	33.95
318 w/4 3/8" Impeller	3780108	# 1.2	33.95
360	3780109	# 1.2	33.95
400	3780127	# #.8	33.09
#w/AC Add .5, # #w/AC Add .2			
Housing, Water-Pump 400	3879725		32.58
Tank, Coolant Recovery	3781800	.3	5.50

SMOG CONTROL

Pump, Air	exc 3837647	.8	73.83
	400 3830649	.8	73.83
Pulley, Air Pump	exc 3870088	.4	3.27
	76 w/Calif Emsn 4027344	.4	4.39
Belt, Pump Drive - See Cooling			

ELECTRICAL

Horn Assy	Hi-Note 2808869	.2	11.74
	Lo-Note 2808868	.2	11.74
Horn Ring or Pad - See Strg Col			
Relay, Horn	3843233	.3	3.45
Cap, Distributor	2444507	.4	4.85
Relay, Starter	2444442	.3	4.75

ALTERNATOR PARTS

Shield or Frame, Alternator			
Front	exc 3656443	#	11.43
	100 Amp 3755596	#	19.75
	exc 3874272	#	32.27
Rear	exc 3874273	#	32.27
	65 Amp 3874273	#	32.27
	100 Amp 3755612	#	50.33
#R&R One or Both 1.3			
Pulley, Alternator			
One Groove	2444478	#.6	4.18
Two Groove	exc 3656571	#.6	4.64
	100 75 3874327	#.6	11.00
	76 3874327	#.6	11.00
#Includes R&R Alternator			
Belt, Drive - See Cooling			
Regulator, Voltage	75 3755960	#.2	21.50
	76 3874520	#.2	21.50
#Add .5 If Necessary to Adjust			

ENGINE

Engine Assy R&R			
V8 AT #7.3			
Does Not Incl Transfer of Parts or Tune Engine			
Engine Assy R&R			
V8 AT #9.8			
Incl Transfer Fuel, Elec Assys, Engine Mts. & Minor Eng Tune			
Short Block Assy R&R			
V8 AT #18.6			
Incl Clean & Transfer All Nec Parts & Access, Grind Valves & Minor Engine Tune			
#w/AC Add 1.0. Does Not Incl Evacuate & Recharge System			1.0
Adjust Linkage Complete			
Transmission R&R			3.9
Automatic			

CONT'D

COOLING & ENGINE CONT'D

ENGINE CONT'D

Damper, Vibration			
	318 3614369	# 1.2	31.31
	360 3751808	# 1.2	31.31
	400 75 3614374	#.9	31.31
	76 3830184	#.9	31.33
#exc w/Radiator Removed .5, w/AC Add .3			
Pulley, Crankshaft			
2 Groove	318 3769135	#	7.48
	360 3769135	#	7.48
	400 3769148	#	8.82
	w/o AC 3870069	#	13.82
	w/AC 3614377	#	13.79
3 Groove	w/o AC 3870074	#	17.35
	w/AC 3614382	#	15.64
4 Groove			
#.8 exc w/Radiator Removed .4, w/AC Add .3			
Insulator, Front Support			
Right	318, 360 3642810	#	8.97
	400 3642814	#	8.76
	318 75 3642811	#	8.97
	76 3817167	#	8.81
Left	360 3642813	#	8.60
	400 3837096	#	8.76
#Right 7, Left 9, Both 1.4			
Insulator, Rear Support			
Exc	3642831	.4	7.81
w/Catalytic Exh	75 3726816	.4	8.81
	76 3726821	.4	8.81
Cover, Chain Case			
318, 360	75 2951671	#2.4	38.31
	76 3769964	#2.4	38.31
400	75 3698614	#2.4	16.30
w/o Lean Burn	76 3830797	#2.4	16.30
w/Lean Burn	76 4027560	#2.4	16.30
#w/AC Add .5			
Pan, Oil	318 75 3614227	2.2	30.85
	76 4006387	2.2	30.85
	360 4006391	2.2	30.83
	400 3614970	2.3	30.85
Gasket, Oil Pan	318 3780200		5.05
	360 3549388		5.17
	400 2658685		1.83
Pump, Fuel			
318, 360	75 3744806	.7	17.15
	76 4026253	.7	19.38
400	w/o 75 3685799	.7	17.35
	w/ 75 3879761	.7	17.35
	All 76 4026254	.7	19.47
Emission Cont			
Filter, Oil			
Sealed Can Type	3549957	.3	4.75

AIR CONDITIONING

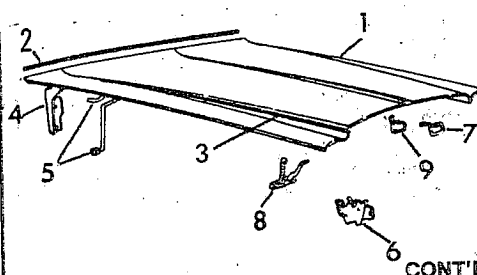
Condenser	3502917	.8	114.30
Compressor w/o Pulley	3609285	.9	127.39
Clutch w/Pulley & Hub	3502812	.8	71.71
Belt, Compressor Drive - See Cooling			
Receiver Drier (w/o Switch)	3502015	.7	26.75
Motor, Blower	3879332	1.5	35.25

HEATER PARTS

Motor, Blower			
w/o Upper Level Vent	3579172	1.3	25.75
w/Upper Level Vent	3838098	1.3	28.84

HOOD

Refinish Panel			2.5
----------------	--	--	-----



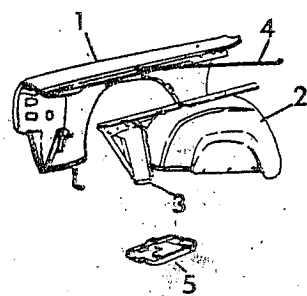
CONT'D

HOOD CONT'D

1 Panel	To 10-16-75	3833004	1.1	147.96
	Fm 10-16-75	3850406	1.1	147.96
2 Moulding, Rear Edge		3811025	.3	4.30
3 Tape, Stripe - Blk	75 R	E178LX9	#	4.95
	L	E179LX9	#	4.95
	76 R	E306MX9	#	4.95
	L	E307MX9	#	4.95
¶For Other Colors, Call Dealer				
#R&R One Side .5, Both Sides .8				
4 Hinge		3781638-9	#	6.84
#.2 w/Hood Removed				
5 Bar, Hinge Torsion		3781258-9	.3	7.46
6 Lock or Latch		3760498	.2	7.81
Cable Assy, Lock Release				
w/Inst Panel Mtg	75	3796606	.5	10.50
	76	3882190	.5	9.72
7 Striker, Lock		3882117	.2	1.87
8 Catch w/Handle, Safety		3796620	.2	3.44
9 Striker, Safety Catch		3882118	.2	1.87
Silencer		3781272	.2	7.48

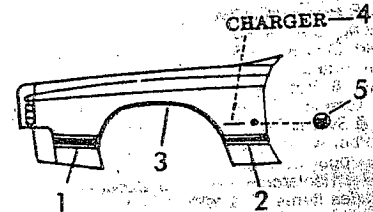
FRONT FENDER

Refinish Fender				2.5
1 Fender		3879362-3	#2.5	124.56
#exc w/Front Panel Removed 2.0				
2 Panel, Wheelhouse	R	3906828	1.0	40.67
	L	4005093	1.0	40.67
Filler, To Bumper				
Black ¶¶	R	E734LX9	#	12.53
	L	E735LX9	#	12.53
#R&R One .3, Both .5 w/Bumper Assy Rem				
¶Also Listed & Illustrated in Front Bumper				
¶¶For Other Colors, Call Dealer				
3 Brace, Radiator Support				
To Cowl - See Item 6 in Cooling				
4 Strut, Fender To Cowl		3781144-5		2.71
5 Tray, Battery		3817020		4.62
Antenna, Radio (Manual)				
Mast Only	31"	3513745	.3	5.17
	76.5"	2889934	.3	8.41
Body & Cable Pkg (Only)		3501294	.4	6.25



MOULDINGS & TRIM

CHARGER				
1 Mldg, Frt - Black	¶	R E574LX9	.2	6.16
		L E575LX9	.2	6.16
		3879058-9	.2	6.99
¶For Other Colors, Call Dealer				
3 Moulding, Wheel Opening				
Partial (Use w/¶)	75-76	3811234-5	.3	5.51
Full (Use w/o¶)	76	3811178-9	.3	6.24
¶Fender Side Mldgs				
4 Nameplate "Charger"		3811404	.2	4.66
5 Medallion "SE"		3811405	.2	4.18
Tape, Side Stripe				
76 "SE" (Black) ¶				
To 11-20-75	R	SP176	.5	
	L	SP176	.5	10.75
Fm 11-20-75				
Front	R	E678MX9		1.74
	L	E679MX9		1.74
Rear	R	E680MX9		11.92
	L	E681MX9		11.92
¶For Other Colors, Call Dealer				
CONT'D				



CHARGER SE 1975-76

DODGE

FRONT FENDER CONT'D

MOULDINGS & TRIM CONT'D

Tape, Side Stripe Cont'd
 "Daytona" (Dk Red & Silver)¶
 Front Ext (HL Panel)

Upper	R E326LEA	.2	
	L E327LEA	.2	
Lower	R E328LEA	.2	1.06
	L E329LEA	.2	1.06
Fender			
Upper	R E330LEA	.4	11.72
	L E331LEA	.4	11.72
Lower Frt	R E332LEA	.2	2.61
	L E333LEA	.2	2.61
Lower Rr	R E358LEA	.2	9.61
	L E359LEA	.2	9.61
Decal, Fen & Door Name¶¶ "Charger Daytona" Dark Red & Silver¶	L351LEA	.3	

¶For Other Colors, Call Dealer
 ¶¶Not Available Separately

FRONT SUSPENSION CONT'D

17 Shaft Pkg, Arm	3837079	7.27	
18 Bushing, Arm Shaft	3744463	2.60	
19 Ball Joint Pkg, Lower	3837087	14.65	
20 Strut, Lower Arm	3815471	.6	12.67
21 Shaft or Bar, Sway	3815561	.8	26.92

WHEEL

Refinish Wheel		.5	
Wheel			
15 x 5.50 Painted	3621957	.3	25.80
15 x 6.50 Painted	3699222	.3	36.08
15 x 6.50 Urethane	3580363	.3	55.43
Ring, Wheel Trim			
w/Urethane Wheel	3461239		16.13
Cover, Wheel	Std 3580407		22.87
	Dlx 3461419		56.55
Dome, w/Urethane Wheel	3580364		8.91
Cap, w/Urethane Wheel	3580360		3.20

STEERING GEAR

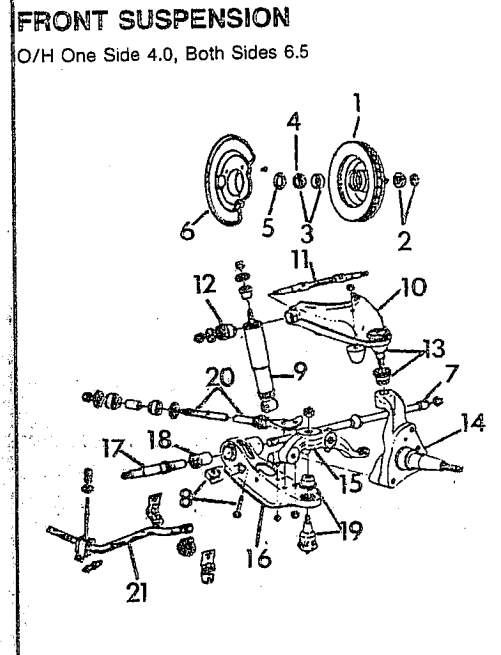
GEAR - POWER

Gear Assembly		Adj	R&R
Power Steering		.6	1.5
O/H 4.2 Incl R&L Gear			
Chuck Assy (Gear Assy)	3643014		263.75
"O" Ring & Seal Pkg	3579523		16.78
Worm w/Piston	2948855		53.94
Shaft, Gear (Cross)	2537776		33.44
Valve, Gear (On Housing)	3643027		27.29
Housing, Gear	3643013		52.89

PUMP - POWER

R&R Pump Assy			1.5
O/H Incl R&R			1.9
AP - Air Pump			
Pump Assy (w/o Pulley)			
Key Slot Shaft			
318, 360 w/o Air Pump	2891544		113.76
w/Air Pump	2891548		113.76
400 w/o Air Pump	2891651		113.76
3/8" Hole Shaft			
400 w/Air Pump	2891463		117.84
Pulley, Pump			
Key Slot Shaft 318, 360	3870089	.6	6.22
400	3830967	.6	6.22
3/8" Hole Shaft			
400	3698826	.6	6.22
Belt, Pump Drive - See Cooling			
Reservoir w/Filler			
Key Slot Shaft			
318, 360 w/o Air Pump	2891514	.8	20.84
w/Air Pump	2891583	.8	20.84
400 w/o Air Pump	2891513	.8	16.37
3/8" Hole Shaft			
400 w/Air Pump	2891593	.8	7.51
Cooler, Pump Oil			
Key Slot Shaft			
exc	2891562	.3	8.81
w/Air Pump	2891588	.3	8.81
3/8" Hole Shaft			
w/Air Pump	2891597	.3	8.81
Hose, Pump Power			
Key Slot Shaft			
318, 360, 400	2891669	.3	13.00
318, 360	2891566	.3	13.50
3/8" Hole Shaft			
400 w/Air Pump	2891402	.3	13.55
Hose, Pump, Return	2537699	.2	1.47
Hose, Cooler to Reservoir	2537699	.2	1.47

NOTE: Key Slot Shaft Pump Has a "Ham" Shaped Rvoir w/Fitting at Rr of Pump
 3/8" Hole Shaft Pump Has a Round Rvoir w/Fitting at Frt of Pump



STEERING LINKAGE

1 Tube, Tie Rod	3402581	4.46	
End Pkg, Tie Rod			
2 Inner (L Thread)	3420155	#	10.84
3 Outer (R Thread)	3420154	#	10.84
#One 2, Two One Side .5			
4 Arm, Idler	75 3402583	.5	19.53
	76 3815609	.5	15.45
5 Link, Center	3402735	.5	17.12
6 Arm, Strg Gear (Pitman)	3402729	.5	15.45
7 Arm, Strg Knuckle - See Frt Susp			

STEERING COLUMN

WHEEL & TRIM

Wheel, Steering (Black)¶			
Three Spoke	75 P003KX9	.4	38.73
w/Partial Ring	76 P012MX9	.4	38.73
	P006JX9	.4	46.22
Soft Rim			
Ring w/Cover, Horn Partial	P105KX9		16.53
Button, Horn			
Soft Rim Wheel	3575564		2.11

¶For Other Colors, Call Dealer

COLUMN - STANDARD

Column Assembly		R&R	O/H
w/Column Shift		2.1	3.1
w/Floor Shift		1.5	2.5
Jacket, Column			
75 Column shift	3748232		36.31
75 Floor shift	3748233		36.31
76 ALL	3748982		36.31
Shaft, Column			
Upper	3748269		24.19
Intermediate	3748258		7.13
Coupling, Column Shaft			
Upper To Lower	3748263		3.13
Body, Col Shaft Cplg			
Lower To Gear	3748268		8.56
Repair Kit, Collapsible			
Steering Shaft	3514996	#3.6	7.72
#Incl R&R Shaft for Inspection & Repair			

FRAME

1 Crossmember, Front¶	3817084	#1.7	24.36
¶Also Listed in Cooling Section			
# w/Bolted Parts Removed			
2 Crossmember, Front Susp			
318, 360	3817139	#3.6	186.33
400	3817135	#3.6	186.33
#Incl Transfer All Assy, Not O/H Assys or			
Align Wheels. Add to O/H One Knee 2.5			
Both Knees 4.5			
3 Rail, Front Side	75 3833210-1	#	83.60
	76 NA		
#R&R Left - 6.0, Right - 7.0, Both - 11.0,			
w/Frt Sheet Metal & Susp XlMbr Rem			
4 Crmbr, Rr Flr Pan Rr	3616920	#2.0	13.35
5 Pan, Floor Rear	3792007		65.94
6 Rail, Rear Floor Pan Side	3833162-3	#7.5	83.00

#w/Nec Bolted Parts Rem

1 Hub w/Disc, Disc Brakes	3780527	.9	63.97
Bearing Pkg, Wheel Hub			
2 Outer	3838020	#	4.70
3 Inner (Incl Seal)	3683975	#	8.50
4 Cone & Roller, Inner Brg	3580892	#	4.15
5 Seal, Oil	3580723	#	2.55
#R&R Bearings or Seal .9			77.83
Housing, Disc Brake	3580854-5		3.27
6 Shield, Disc Brake Splash	3580826-7	1.1	3.27
Hose, Brake	3461734	#	5.94
#One .6, Both .9, Incl Bleed Brakes			
7 Bar, Torsion	3402660-1	.9	21.40
8 Bolt & Swivel Pkg, Bar Adj	3744463	.5	2.60
9 Absorber w/Bshg, Shock	3744464	.7	14.95
10 Arm, Upper Control¶			
w/Rear Isolators	3722690-1	1.9	39.35
¶Includes Items 11 & 12			
11 Bar, Inner - NSS			
12 Bushing, Inner Bar	(2) 3402552		3.16
13 Ball Joint Pkg, Upper	2298534	1.2	16.05
14 Knuckle, Steering	3402640-1	1.6	67.15
15 Arm, Steering Knuckle	3402850-1	1.4	26.22
16 Arm, Lower Control¶			
w/Rear Isolators	75 R 3815406	2.0	60.69
	L 3722637		60.69
	76 3815406-7	2.0	60.69

¶Incl Items 17 Thru 19

CONT'D

DODGE

EXHAUST

MANIFOLDS

fold, Exhaust w/o Air Pump 318, 360	R	3870059	1.3	46.39
	L	3870336	1.8	40.36
	R	3830818	1.3	56.42
	L	3830799	1.8	52.24
400				
w/Air Pump 318, 360	R	3879721	1.3	46.41
	L	3830205	1.8	40.36
	R	3830041	1.3	59.50
	L	3830044	1.8	52.24

EXHAUST SYSTEM

Replace Exhaust System w/o Cata Converter			1.6	
w/Cata Converter			2.0	
Pipe, Exhaust w/o Cata Converter 318, 360 Std	R	3818208	.7	49.23
	L	4004212	.7	27.96
	L	4004207	.7	17.57
		3726994	.7	50.50
400 Std	R	4004132	.7	18.59
400 Hi Perf	L	3818263	.7	15.74
w/Cata Converter 318, 360	75	3726876	.7	41.93
	75	4004376	.7	45.60
	76	4004376	.7	45.60
Converter, Cata From 11-14-74		3906428	.8	160.41
From 11-14-74 exc		4004180	.8	160.41
From 11-14-74 76-318		4004294	.8	160.41
w/o Calif Emsn Muffler 318	75	3818264	.7	30.25
	76	4004360	.7	30.95
		3818258	.7	30.95
360, 400 Std	R	3818258	.7	30.95
360, 400 Hi Perf	L	3726891	.7	30.95
Resonator w/Tail Pipe 318	75	3726928	.7	28.00
	76	4004356	.7	38.25
	76	4004250	.7	30.55
360 w/Cata Exh	76	4004142	.7	38.25
360, 400 Hi Perf To 2-12-75	R	3726953	.7	38.25
From 2-12-75	L	4004163	.7	38.25

WINDSHIELD

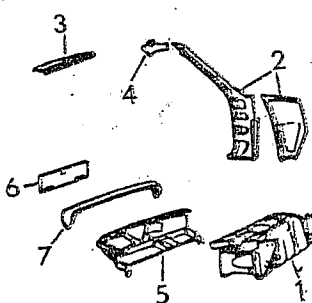
Glass, Windshield Clear	NAGS C W838	2.5	182.80
Tinted	NAGS T W838		210.25
Installation Materials - Use As Req			
Moulding, Outer Upper & Side	3811022-3	#	7.31
Lower	3811035	#	14.81
Lower Corner	3811048-9	#	1.54
# One .5, All .8			
Mirror, Inside Rear View	3861581	.2	12.65
Panel, Sun Visor White	To 3-28-75 H513KW1	.2	
	From 3-28-75 H513LW1	.2	13.79
For Other Colors, Call Dealer			
Arm & Brkt, Sun Visor	3861180		4.62

WIPER & WASHER PARTS

Blade w/Refill, Wiper Anco	3431783		5.30
Trico	3799021		5.30
Refill, Wiper Blade	3799060	.2	2.70
Arm, Wiper	R 3799029	.2	8.05
	L 3799026	.2	11.20
Motor, Wiper	2 Spd 3431790	.7	59.98
	3 Spd 3799024	.7	59.95
	3799057	.5	9.08
Reservoir, Washer Pump & Seal Pkg, Washer	3431969	.5	12.04
	R 3431868		1.47
	L 3431865		1.47

COWL and DASH

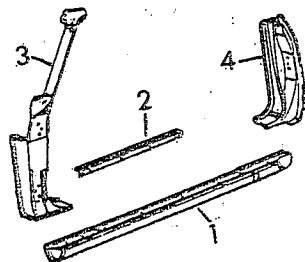
Refinish Upper Panel		1.0	
Pillar		1.0	
R&R Pillar w/Roof Removed		7.0	



1 Panel, Cowl Top & Dash	3850354	153.45	
	75 3850354	153.45	
	76	91.16	
2 Panel, Cowl Side (w/Pir)			
	R 3833300-1	#	96.17
	L 3833300	#	96.17
	L 3850307	#	96.15
# R&R Complete w/Fender, Door & WS Rem 8.0, Cut Below Belt w/Fender & Door Rem 5.6			
3 Frame, Windshield Upper	3482145	#1.5	24.28
4 Extension, Upper Frame Side Inner	3793006-7	#1.0	12.39
# w/Roof Removed			
5 Panel, Instrument	75 3590796		113.37
	76 3590796		113.37
	3590280		.3 5.89
6 Door, Glove Box			
7 Pad, Inst Pnl Trim Black	P407LX9	1.0	73.60
For Other Colors, Call Dealer			

ROCKER PNL & CTR PILLAR

Refinish Rocker Panel		1.0	
ROCKER PANEL			
1 Panel, Rocker or Sill Outer	3833598-9	4.5	33.10
Panel, Rocker or Sill Inner			
Front	3792346-7	#2.0	13.18
Rear	75 3833456-7	#2.0	6.24
	76 3833644-455	#2.0	5.91
# w/Outer Panel Rem			
2 Plate, Sill Scuff	3763098-9	.2	7.81



PILLARS

3 Pillar, Hng Frt - See Cowl & Dash			
4 Pillar, Lock Rear - See Quarter Panel			

SEAT

Adjuster, Manual Seat	R 3796652	#	16.68
Bench Seat	75 L 3796653	#	16.68
	76 L 3861720		16.67

CONT'D

SEAT CONT'D

Bucket or 60/40 Split Drivers Side			15.81
Outer	L 75 3796677	#	16.68
	76 3882051	#	15.01
Inner	75 3796647	#	16.68
Bucket 60/40	76 3882029	#	15.01
	76 3871208	#	15.81
Pass Side Outer	R 75 3760390	#	16.68
	76 3882050	#	15.01
Inner	75 L 3670254	#	16.68
	76 3871351	#	15.01
# One .6, Both .9			
Adjuster, Electric Seat			160.56
Bench Seat	76 3796782	#	80.74
Drive Unit	76 3796781	#	88.55
Slave Unit	L 75 3796784		.9 169.39
Bucket Seat	76 3871405		.9 169.38
Bucket or 60/40			
# R&R One .7, Both One Seat 1.1			

FRONT DOOR

Refinish Outside		2.5	
Jams Add		.5	
R&I Door Assembly		1.3	
SHEET METAL			
Shell, Door	3833018-9	4.5	208.50
Panel, Repair	3833022-3	5.0	65.28

MOULDINGS & TRIM

1 Midg Pkg, Side - Black	3879070-1	.3	19.86
For Other Colors, Call Dealer			
2 Moulding, Belt	3811058-9	.3	8.18
Tape, Door Side Stripe "SE" (Black)	76 E394MX9	.4	7.23
"Daytona" (Dk Red & Silver)			
Upper	R E334LEA	.5	10.77
	L E335LEA	.5	10.77
	R E336LEA	.4	10.77
	L E337LEA	.4	10.77
Lower	76 R NA	.4	
	L NA	.4	
Decal, Door & Fen Name "Charger Daytona" Dark Red & Silver	E351LEA	.3	3.72
For Other Colors, Call Dealer			
Not Available Separately			
3 Mirror, Outside Rear View Manual	L 3882071	.3	15.38
Remote Control			
Round Chrome R	3882075	1.5	35.75
	75 L 3882072	.7	24.67
	76 L 3871560	.7	24.69
Racing	Prime R 3882077	1.5	35.75
	L 3882074	.7	24.67
Chrome R	3882076	1.5	35.75
	75 L 3882073	.7	24.67
	76 L 3871559	.7	24.69

HARDWARE

Lock or Latch	3760006-3	.7	21.36
Striker, Lock	3670038	.2	2.74
Cylinder & Keys	3695555		12.95
Handle	Outside 3796002	.6	9.22
	Inside 3796014-5	.2	4.85
Hinge	Upper 3788534	#1.0	11.04
	Lower 3788022-3	#1.1	16.09
# R&R Both 1.5			
Weatherstrip	3795198-9	.6	17.91

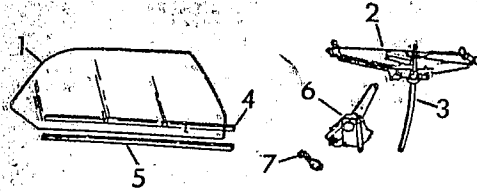
CONT'D

CHARGER SE 1975-76

DODGE

FRONT DOOR CONT'D

DOOR GLASS & PARTS

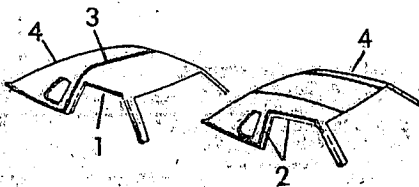


1 Glass, Door¶ Clear	3795212-3	1.2	56.75
NAGS	C D5203-4		64.70
Tinted	3795214-5		61.75
NAGS	T D5203-4		70.10
¶Glass Only			
2 Plate w/Channel, Guide	3795218-9		7.48
3 Track, Glass	75 3795224-5		4.63
	76 3875668-9		4.64
Weatherstrip, -Belt			
4 Outer	3795056-7		4.45
5 Inner	3763302-3		4.45
6 Regulator			
Manual	3861052-3	#.9	23.82
Elec 75 R	3760276	#.9	25.38
75 L	3861061	#.9	25.38
76 R/L	3861061	#.9	25.38
#exc w/Door Glass Removed .3			
7 Handle, Regulator	3861473		6.94
Motor, Regulator	R 3882138		60.31
	L 3861077		60.28

ROOF

Refinish Roof			4.0
R&R Headliner			2.0
Add To: Roof R&R w/Vinyl Cover			
Full Cover			6.0
Landau Type			4.0
Panel, Roofw/o Sun Roof	3799021	19.0	96.53
w/Sun Roof	3799237	22.0	153.85
Rail, Roof Side			
Outer	3799984-5		2.0
Inner	3833612-3	1.5	10.87
Lower	3799032-3		7.08
Frame, Rear Wind-Up	3799030	2.0	5.61

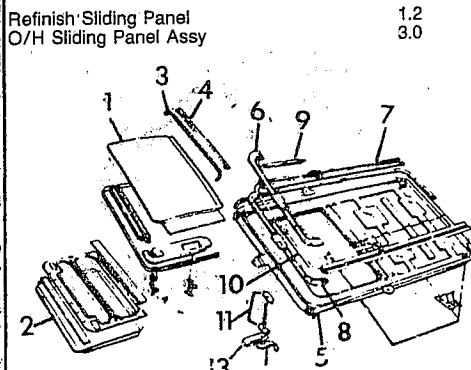
MOULDINGS & TRIM



1 Mldg, Side Drain Trough	3811276-7		8.36
2 Moulding, Roof Side w/Halo Roof - Black¶	R E564LX9		6.60
	L E565LX9		6.60
3 Mldg, Roof Transverse w/Landau - Blk¶	R E572LX9		6.60
	L E573LX9		6.60
Tape, Roof Stripe "Daytona" (Dk Red & Silver)¶			
Frt (Transverse)	E349LEA	.6	9.83
Rear (Above Wind)	E348LEA	.6	7.72
¶For Other Colors, Call Dealer			
4 Cover, Roof Vinyl - Black¶			
w/Halo Roof	E817LX9	#8.0	145.16
w/Landau Roof	E818LX9	#6.0	145.16
#Does Not Incl R&R Any Glass			
¶For Other Colors, Call Dealer			
WStrip, Side Rail¶	75 3875592-3	.4	28.52
	76 3875592-3	.4	28.52
Retainer, Rail Side WStrip¶	3795514-5		20.45
¶Includes Front Pillars			

ROOF CONT'D

SUN ROOF PARTS MANUAL



Refinish Sliding Panel			1.2
O/H Sliding Panel Assy			3.0
1 Panel, Sliding	3795521	153.85	
Cover, Vinyl - Black¶	E820LX9	17.86	
2 Headlining - Black¶	H606LX9	45.07	
¶For Other Colors, Call Dealer			
3 Seal, Opening			
Use w/Painted Roof	3720533	20.82	
Use w/Vinyl Roof	3795474	19.41	
Seal, Rear	3795476	10.64	
4 Weatherstrip, Rear	3795478	1.32	
5 Housing	3795315	99.54	
Track, Sliding Panel			
6 Front	3795465	7.85	
7 Rear (Side)	3795460-1	16.44	
Cover, Track			
8 Front	3795324	8.64	
9 Rear (Side)	3795321	5.19	
10 Cable & Guide	3795528-9	23.04	
11 Drive Assy	3759823	10.14	
12 Handle, Drive	3696955	12.62	
13 Escutcheon, Drive Handle	3795325	5.83	

BACK WINDOW



Glass, Back Window¶			
Clear	NAGS C B5208	2.0	80.50
Tinted	NAGS T B5208		89.20
Heater	NAGS - 75 T B5207	2.2	167.65
Heated NAGS - 76	T B5413	2.2	167.65
¶Cemented in Type Installation Materials - Use As Req			
Moulding, Outside w/o Vinyl Roof			
Upper & Side	3811008-9	5.34	
Lower	3811026	6.49	
Lower Corner	3811010-1	1.34	
w/Vinyl Roof (Black)¶			
Upper & Side	75 R E584LW1	7.13	
	L E585LW1	7.13	
	76 R E628LX9	7.16	
	L E629LX9	7.16	
Lwr & Cnr	75 R E588LW1	10.77	
	L E589LW1	10.77	
	76 R E630LX9	10.77	
	L E631LX9	10.77	
Cap, Upr & Lwr	75 E586LX9	1.08	
	76 E619LX9	1.06	
¶For Other Colors, Call Dealer			

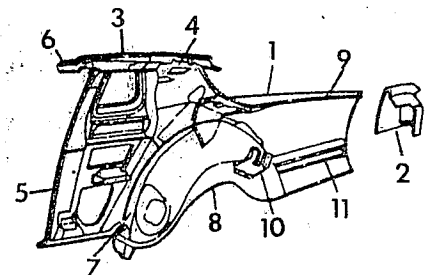
QUARTER PANEL

Refinish Outside			3.0
R&I Trim Panel			.8
R&R w/Roof Removed			9.5
R&R Qtr Panel Cut			11.5
Below Rear Window			1.5
Add to Qtr R&R w/Vinyl Roof Cover			

CONT'D

QUARTER PANEL CONT'D

SHEET METAL



1 Panel, Outer Repair	3792030-1	16.0	170.56
2 Extension, Qtr Pnl End # Incl R&R Side Marker & Tail Lamp	3792562-3	#.7	21.21
3 Reinf, Outer Panel Upper at Window Opening	3792148-9		9.14
Reinf, Outer Panel at Belt	3792232-3		6.24
4 Panel, Inner Upper	3794252-3		21.55
Lower	3833616-7		17.75
5 Support, Inner Panel to Side Roof Rail	3793120-1		16.27
6 Panel, Wheelhouse			
7 Outer	3792024-5	2.5	25.96
8 Inner	R 3445058	2.0	25.96
	L 3792027	2.0	25.96
9 Trough, Deck Drain #w/Quarter Panel Removed Support, Deck Lid Hinge	3792080-1	#.5	9.99
Upper	3792396-7		6.38
Lower	3792076		3.77
10 Extension, Rear Pan Side Pillar, Rear Lock	3792062-3		17.80
#exc w/Qtr Panel Rem 3.0	3792050-1	#5.0	19.73
NOTE: For Side Rails - See Frame			

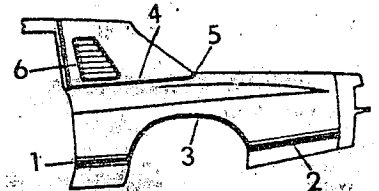
QTR GLASS & PARTS

OPERA WINDOW



1 Glass, Quarter¶			
Clear	3792242-3	1.0	15.70
NAGS	C Q5205-6		17.50
Tinted	3792266-7		17.30
NAGS	T Q5205-6		19.25
¶Glass Only			
Seal, Glass	3792367		2.12
Retainer, Lower	3792578		.31

QTR MOULDING



1 Mldg, Side Frt - Black¶	3879082-3	.2	11.65
2 Mldg, Side Rr - Black¶	3879094-5	.3	13.57
3 Moulding, Wheel Opening - Use w/o Side Mldgs	76 3811180-1	.3	4.84
4 Use w/Side Mldgs	75-76 3811236-7	.3	4.46
4 Moulding, Belt (Incl Frt Cnr) Black¶	R E566LX9	.3	8.90
	L E567LX9	.3	8.90
5 Moulding, Belt Rear Corner Black¶	R E568LX9		
	L E569LX9		

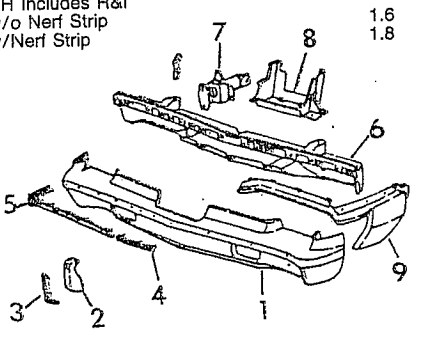
CONT'D

QTR MOULDING CONT'D

Moulding, Qtr Wind Outline				
w/o Vinyl Roof	3811372-3	19.22		
w/Vinyl Roof (Blk)¶	R E608LX9	11.31		
	L E609LX9	11.31		
6 Louver, Opera Window Black¶	R E606LX9	9.03		
	L E607LX9	9.03		
¶For Other Colors, Call Dealer				
Tape, Side Stripe 76 "SE" (Black)¶				
To 11-20-75	R SP176	.7		
	L SP176	.7		
Fm 11-20-75				
Front	R E682MX9	.2	13.35	
	L E683MX9	.2	13.35	
Rear	R E684MX9	.2	2.27	
	L E685MX9	.2	2.27	
"Daytona" (Dk Red & Silver)¶				
Lock Pillar	R E338LEA	.3	3.78	
	E339LEA	.3	3.78	
Side Upper	R E340LEA	.5	11.89	
	E341LEA	.5	11.89	
Side Lwr	Frt R E342LEA	.2	10.16	
	L E343LEA	.2	10.16	
	Rr R E360LEA	.2	4.73	
	L E361LEA	.2	4.73	
End Ext	Upr R E344LEA	.2		
	L E345LEA	.2		
	Lwr R E346LEA	.2	.78	
	L E347LEA	.2	.78	
¶For Other Colors, Call Dealer.				

REAR BUMPER

R&I Assembly			.8	
O/H Includes R&I			1.6	
w/o Nerf Strip			1.8	
w/Nerf Strip				



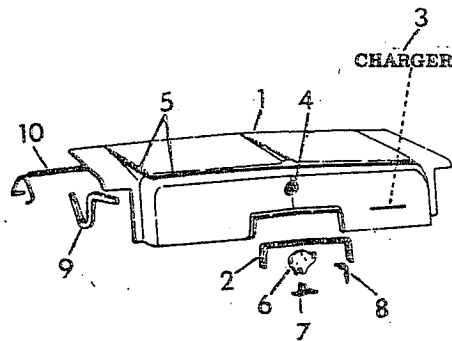
1 Face Bar	Exc 3835502	1.6	90.27
	Use w/Nerf Strip 3835503	1.8	90.27
2 Guard	3835512-3		16.07
3 Cushion, Guard Strip, Nerf	3835564		5.39
4 Center	3835526		6.99
5 End	3835528-9		14.71
6 Reinf	3835505		67.92
7 Absorber, Bar Impact	3845080	#.3	46.04
#w/Bumper Assembly Rem			
8 Closure, License Plate	3835520		6.75
9 Filler, To Lower Body Panel Black¶	R E730LX9	#.3	20.31
	L E731LX9	#.3	20.31
#R&R Both .5 w/Bumper Assy Rem			

REAR AXLE

Drum, Brake	10"	3580553	.3	35.97
	11"	3780537	.3	40.17
Support, Brake	10"	3899601	.9	14.96
	11"	3699603	.9	15.78
Hose, Brake	To 11-74	3466798	#.6	8.21
	From 11-74	3766606	#.6	10.23
#Includes Bleed Brakes				
Shaft, Axle				47.18
w/8 1/4" Gear		2931864	1.6	49.77
w/9 1/4" Gear	75	3507686	1.6	49.77
	76	3723297	1.6	49.77
Bearing, Axle Shaft			#1.6	8.30
#Incl R&R Axle & Seals				
Seal, Axle Shaft Oil		2931875	.6	2.70
Housing, Rear Axle				
8 1/4" Dia Axle	75	3723540	5.0	174.30
	76	3837588	5.0	188.96
9 1/4" Dia Axle		3723564	5.0	190.52

LUGGAGE LID

Refinish	2.5
----------	-----



1 Lid, Deck	3833017	1.0	188.86
2 Moulding, License Plate	3811263	.2	10.33
3 Nameplate "Charger"	3811386	.2	4.88
4 Medallion, Lock Cover	3861145	.2	6.83
Tape, Stripe			
5 "SE" (Black)¶	75 R E188LX9	.5	7.26
	L E189LX9	.5	7.26
	76 R E316MX9	.5	7.22
	L E317MX9	.5	7.22
"Daytona" Dk Red & Silver¶	E350LEA	.5	10.94
Decal - "Charger Daytona" Dk Red & Silver¶	E353LEA	.3	2.50
¶For Other Colors, Call Dealer			
6 Lock or Latch	exc 3760024	.3	9.09
	Elec 3780301	.4	15.60
	2244149	.2	1.27
7 Striker, Lock	4049405	#	12.22
8 Cylinder & Keys #R&R Each .3		#	7.99
	R 3752748	#	7.99
	L 3752749	#	7.99
#.7 exc w/Lid Removed .4			
10 Bar, Hinge Torsion Weatherstrip	75 3792234-5	.8	11.34
	76 3756844	.8	11.34

REAR BODY

Refinish Lower Panel	1.0
Upper Panel	1.0

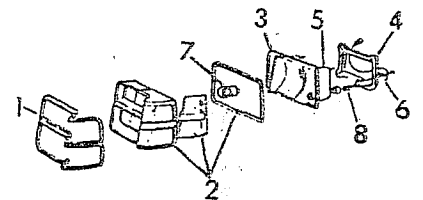
1 Panel, Lwr (Below Lid)	3792093	#4.5	22.01
#Incl R&R Both Rear Qtr Ext			
Support, Lower Panel			
Outer	3792288-9		3.99
Inner	3792102		3.02
Reinf, Lower Panel	3792332	#4.0	14.79
#w/Outer Panel Rem			
2 Panel, Upr (Above Lid)	3792088	#4.0	18.25
#w/Luggage Lid & Back Glass Rem			
3 Mldg, Upr Pnl - Black¶	R E570LX9		5.03
	L E571LX9		5.03
¶For Other Colors, Call Dealer			

REAR SUSPENSION

Spring, Rear	3879245	1.3	64.35
Leaf w/Bushing, Main	3845184	1.6	23.60
Shackle & Bushing Pkg	3879282	.8	4.15
Absorber w/Bshg, Shock Standard	3815390	.7	14.95
Heavy Duty	3722731	.7	14.95
Bar, Rear Sway	3845007	.7	42.95

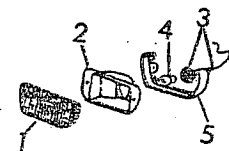
REAR LAMP

TAIL, STOP & SIG LAMP (W/SIDE MARKER)



Lamp Assy - Not Serviced	NA		
1 Bezel See Item 2	3879326-7	.4	26.80
2 Lens & Bezel Pkg	E197LX9		1.39
Tape, Bezel Black¶	3798250-1		17.35
3 Housing Pkg			
4 Gasket, Hsg - See Item 3			
5 Socket	exc 2926370		.93
	Marker 3843015		3.72
6	9417867		50.00
7 Bulb exc 1157¶	9425542		38.00
8 Bulb Marker 168¶			
¶Price per 100			

BACK-UP LAMP

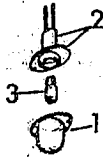


Lamp Assy - Not Serviced	NA	.2	
1 Lens - See Item 2	3798272-3	.3	9.08
2 Housing & Lens Pkg	3843060		5.52
3 Socket w/Cable	9417866		73.00
4 Bulb 1156 Price per 100	3798274-5		.58
5 Filler, To Bumper Bracket	3798293		1.60

CONT'D

REAR LAMP CONT'D

LICENSE LAMP



Lamp Assy - Not Serviced

1 Lens	3798163		1.34
2 Socket & Cable	3843207	.2	3.28
3 Bulb 168	Price per 100 9425542		38.00