

G-3

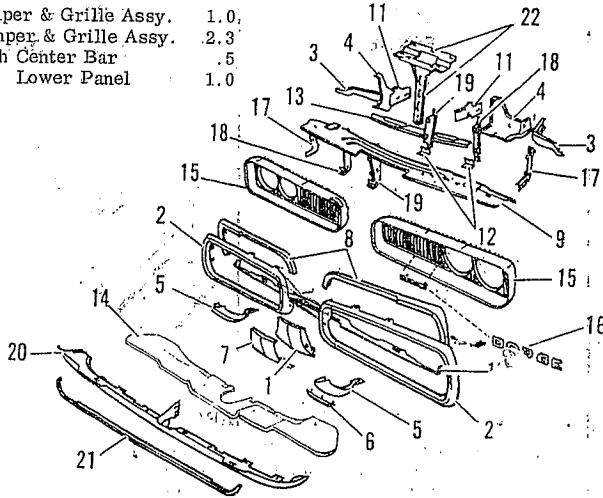
DODGE

CORONET & CHARGER 1970

FRONT BUMPER & GRILLE

EXC. CHARGER

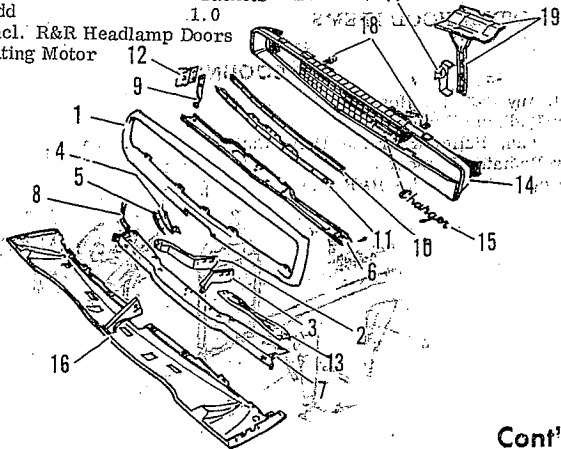
- R&I Bumper & Grille Assy. 1.0
- O/H Bumper & Grille Assy. 2.3
- Refinish Center Bar .5
- Lower Panel 1.0



- | | | | | |
|--|-----------|------|----|-------|
| 1. Face Bar, Center | 2962504 | # | .4 | 13.82 |
| 2. Outer | 2962506-7 | # | | 54.31 |
| (#One Side 1.3, Both 1.5, Incl. R&I Assembly.) | | | | |
| 3. Support, Bar Outer | 2962514-5 | # | | 6.56 |
| 4. Inner | 2962510-1 | # | | 7.05 |
| 5. Guard, Face Bar | 2962538 | # | .3 | 13.24 |
| 6. Cushion, Guard | 2962527 | # | | 2.50 |
| 7. Applique, Center Bar | | | | |
| 500 & R/T | 2962539 | # | | 2.88 |
| 8. Filler, Face Bar | 2962544-5 | # | | 3.10 |
| # 3w/ Face Bar Removed. | | | | |
| 9. Reinf., Bar Upper | 2962521 | # | | 16.12 |
| 10. Lower | 2962523 | # | | 11.31 |
| 11. Support | 2962518-9 | # | | 2.62 |
| # O/H 2.3. | | | | |
| 12. Brace, Bar Guard (2) | 2962546 | # | | 1.80 |
| 13. Lower (Horz.) | 2962614 | # | | 8.01 |
| 14. Air Shield, Bar | 2962462 | # | | 13.38 |
| 15. Grille Coronet & 440 | 2949808-9 | # | .3 | 22.55 |
| 500, Super Bee & R/T | 2998200-1 | # | .3 | 22.55 |
| 16. Nameplate "Dodge" | 2998060 | # | | 2.74 |
| 17. Bracket, Grille Outer | 2998248-9 | # | | 1.57 |
| 18. Inter. | 2998252-3 | # | | 1.57 |
| 19. Inner | 2998250-1 | # | | 1.57 |
| Support, Grille Brkt. (4) | 2998700 | # | | 1.04 |
| 20. Panel, Lower Grille Air | 2998437 | #1.0 | | 22.30 |
| # Incl. R&R Signal Lamps. | | | | |
| 21. Moulding, Lower Panel | 2998980 | # | | 7.19 |
| 22. Plate, w/Vertical Lock Support | 2998470 | #.5 | | 9.51 |
| # Incl. R&R Hood Lock. | | | | |

CHARGER

- R&I Bumper & Grille Assy. 1.0
- O/H Bumper & Grille Assy. 3.0
- #If Nec. to Transfer Rivited Brackets Add 1.0
- Time Incl. R&R Headlamp Doors & Actuating Motor 12



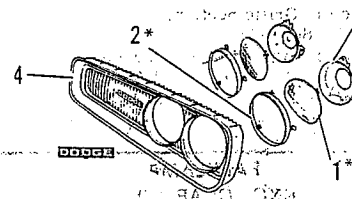
FRONT BUMPER & GRILLE, Cont'd.

CHARGER, CONT'D.

- | | | | | |
|--|-----------------|---------|--|--------|
| 1. Face Bar | 2962576 | | | 103.73 |
| 2. Support, Bar Outer | 2962588-9 | 2.3 | | 6.56 |
| 3. Inner | 2962584-5 | | | 6.56 |
| 4. Guard, Face Bar | 2962608-9 | .3 | | 13.24 |
| 5. Cushion, Guard | 2962527 | | | 2.50 |
| 6. Reinf., Bar Upper | 2962595 | | | 10.35 |
| 7. Lower | 2962597 | | | 17.30 |
| Brace, Bar Guard (2) | 2962546 | | | 1.80 |
| 8. Jacking | 2962792-2962795 | | | 2.18 |
| 9. Reinf. (2) | 2962602 | | | 1.14 |
| 10. Filler, Face Bar | 2962624 | | | 8.41 |
| 11. Bracket, Bar Filler | 2962622 | | | 5.88 |
| 12. Pad, Bar Impact | 2962615 | | | 2.50 |
| 13. Brace, Support | 2962614 | | | 8.01 |
| 14. Grille | 2998440 | O/H 3.0 | | 41.31 |
| Door, Headlamp * | 2998550-1 | .8 | | 11.45 |
| * Illustrated & Listed in Front Lamp Section. | | | | |
| 15. Nameplate, Grille | 2998278 | .2 | | 2.88 |
| Nameplate, Headlamp Door * | | | | |
| "500" | 3443093 | .2 | | 1.18 |
| "R/T" | 2998510 | .2 | | 2.74 |
| Medallion, Headlamp Door * | 2998279 | | | 1.25 |
| * Not Illustrated - Also Listed in Front Lamp Section. | | | | |
| 16. Panel, Lower Grille Air | 2998078 | #1.0 | | 29.50 |
| # Incl. R&R Signal Lights. | | | | |
| 17. Bracket, Grille Center | 2998651 | | | 1.57 |
| 18. Extension, H/L Door Brkt. (2) | 2998606 | | | 9.76 |
| 19. Plate, w/Vert. Lock Support | 2998475 | #.5 | | 9.51 |
| # Incl. R&R Hood Lock. | | | | |
| Strut, Bmpr. Alignment (2) | 2962633 | | | 1.20 |
| Filler, Bar to Fender | 2998698-9 | | | 3.10 |
| Bracket, Bumper Jacking | 2962794-5 | | | 2.18 |

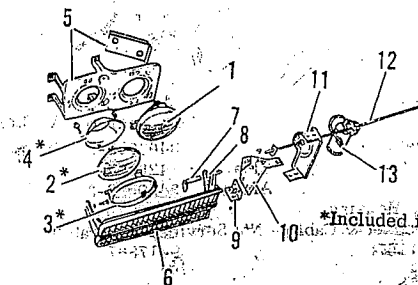
FRONT LAMPS

HEADLAMP EXC. CHARGER



- | | | | | |
|--|-----------|-----|--|-------|
| Headlamp Assy. (w/o Door) | | | | |
| Hi-Lo Beam Outer | 3443298-9 | # | | 10.77 |
| Hi Beam Inner | 3443302-3 | # | | 10.77 |
| w/Grille Removed | | | | |
| #One .6, Both One Side .7, Four .9 | | | | |
| Time Incl. Aim Lamps | | | | |
| 1. Sealed Beam | | | | |
| Hi-Lo Beam Outer | 152286 | # | | 3.65 |
| Hi Beam Inner | 152285 | # | | 3.65 |
| # One .2, Two .4, Four .5. | | | | |
| 2. Ring, Beam Retaining (4) | 2998682 | | | 3.62 |
| 3. Seat & Screw, Beam | | | | |
| Hi-Lo Beam Outer | 3443124-5 | | | 3.49 |
| Hi Beam Inner | 3443120-1 | | | 3.49 |
| 4. Bezel or Door - See Grille Section. | | | | |
| Panel, Headlamp (2) | 3443162 | #.3 | | 9.23 |
| Shield, Headlamp | 2998872-3 | | | 5.52 |
| # w/Headlamp Removed. | | | | |

CHARGER



Cont'd.

Cont'd.

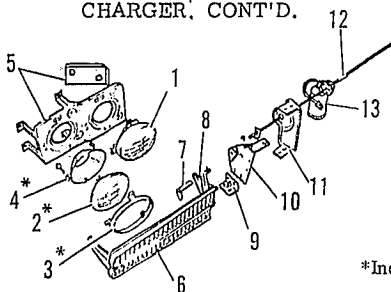
CORONET & CHARGER 1970

DODGE

G-3

FRONT LAMPS, Cont'd.

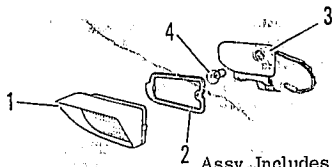
HEADLAMP, Cont'd.
CHARGER, CONT'D.



*Included in Assy.

| | | | | |
|---|-----------|----|-------|--|
| 1. Headlamp Assy. (w/o Door) | | | | |
| Hi-Lo Beam Outer | 3443172-3 | # | 10.77 | |
| Hi Beam Inner | 3443176-7 | # | 10.77 | |
| # One .6, Both Same Side .9, Time Includes Aim. | | | | |
| 2. Sealed Beam | | | | |
| Hi-Lo Beam Outer | 152286 | # | 3.65 | |
| Hi Beam Inner | 152285 | # | 3.65 | |
| # One .2, Two .3, Four .5. | | | | |
| 3. Ring, Beam Retaining (4) | 2449525 | | 3.62 | |
| 4. Seat & Screw, Beam | | | | |
| Hi-Lo Beam | 3443124-5 | | 3.49 | |
| Hi Beam | 3443120-1 | | 3.49 | |
| 5. Panel, Headlamp - Serv. w/Fender | | | | |
| 6. Door, Lamp Rotating * | 2998550-1 | .8 | 11.45 | |
| Nameplate, Door * | | | | |
| "500" | 3443093 | .3 | 1.18 | |
| "R/T" | 2998510 | .3 | 2.74 | |
| Medallion, Door * | 2998279 | .2 | 1.25 | |
| *Also Listed in Grille Section. | | | | |
| 7. Crank, Door | 2998884 | | 2.32 | |
| Door Arm | 2998884 | | 2.32 | |
| 8. Bracket, Door Inner | 2998716-7 | | 2.11 | |
| 9. Extension, Inner Brkt. * (2) | 2998606 | | .76 | |
| * Also Listed in Grille Section. | | | | |
| 10. Bracket, Door - Not Serviced | | | | |
| 11. Bracket, Door Motor Mtg. | 2998651 | | 1.57 | |
| 12. Bar, Door Motor (2) | 2998886 | | 2.11 | |
| 13. Motor, Door Rotating | 3431438 | .4 | 67.98 | |

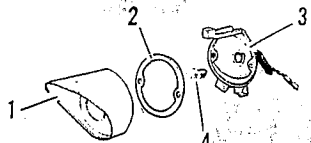
PARKLAMP
EXC. CHARGER



Assy. Includes All Items Illustrated.

| | | | |
|---|-----------|----|-------|
| Lamp Assembly | 3403250-1 | .3 | 10.06 |
| 1. Lens & Gasket Pkg. Clear | 3420702-3 | .2 | 3.33 |
| Amber | 3420648-9 | .2 | 2.94 |
| 2. Gasket, Lens | 3403260 | | .68 |
| 3. Hsg., Socket & Cable - Not Serviced Separately | | | |
| 4. Bulb (1157) | 9417867 | | .60 |

CHARGER



Assy. Includes All Items Illustrated.

| | | | |
|---|-----------|----|-------|
| Lamp Assembly | 3403002-3 | .4 | 13.90 |
| 1. Lens & Gasket Pkg. Clear | 3420554-5 | .3 | 5.52 |
| Amber | 3420552-3 | .3 | 5.52 |
| 2. Gasket, Housing | 3403010 | | .45 |
| 3. Hsg., Socket & Cable - Not Serviced Separately | | | |
| 4. Bulb (1157) | 9417867 | | .60 |

Cont'd.

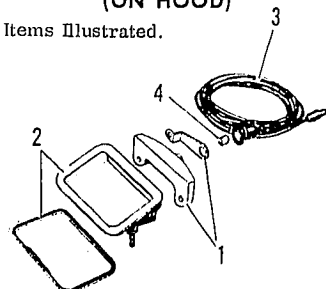
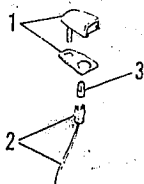
FRONT LAMPS, Cont'd.

TURN SIGNAL INDICATOR LAMP

EXC. CHARGER
(ON FENDER)

CHARGER
(ON HOOD)

Assy. Includes All Items Illustrated.



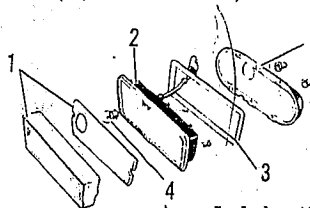
EXC. CHARGER

| | | | |
|---|---------|----|------|
| Lamp Assembly (2) | 2930781 | .4 | 9.70 |
| 1. Cover & Gasket - Not Serviced Separately | | | |
| 2. Socket & Cable | 2606143 | | 2.28 |
| 3. Bulb (158) | 9415969 | | .34 |

CHARGER

| | | | |
|---|-----------|----|------|
| Lamp Assembly (2) | 3403654 | .3 | 4.98 |
| 1. Lens & Strap - Not Serviced Separately | | | |
| 2. Bezel & Gasket Pkg. | 3403648-9 | | 1.74 |
| 3. Socket & Cable | 2853712 | | 4.16 |
| 4. Bulb (158) | 9415969 | | .34 |
| Cover, Lamp Opening | 3403853 | | .69 |

SIDE MARKER LAMP
(W/REFLECTOR)



Assy. Includes All Items Illustrated.

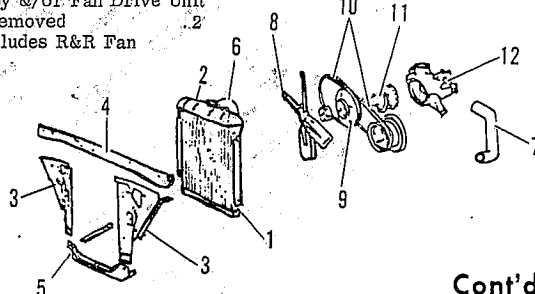
| | | | |
|---|-----------|--------|-------|
| Lamp Assembly exc. | 3403774-5 | .3 | 8.73 |
| Charger | 3403738-9 | .3 | 7.75 |
| 1. Lens & Gasket Pkg. | 3420792-3 | O/H .4 | 28.10 |
| 2. Hsg., Socket & Cable - Not Serviced Separately | | | |
| 3. Gasket, Hsg., - Not Serviced Separately | | | |
| 4. Bulb () | N.A. | | N.A. |
| 5. Bracket, Mtg. Exc. | 3403784-5 | | 1.81 |
| Charger | 3403746-7 | | 1.23 |

COOLING & ENGINE

UNDER HOOD ITEMS

COOLING

R&R Any Radiator Hose w/Radiator Removed .1
R&R Fan, Pulley &/or Fan Drive Unit w/Radiator Removed .2
Pulley Time Includes R&R Fan



Cont'd.

PART NUMBER SERVICE

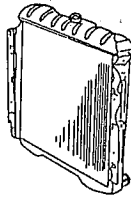
G-3

DODGE

CORONET & CHARGER 1970

COOLING & ENGINE, Cont'd. UNDER HOOD ITEMS

COOLING, Cont'd.



| | | | | | |
|--|---------|---------|-------|--------|--|
| 1. Radiator | | | | | |
| w/o A. C. | | | | | |
| w/225 Eng. | 19" | 3673908 | .9 | 96.47 | |
| w/318 Eng. | 19" | 3673026 | .9 | 98.02 | |
| w/383, 440 Eng. | 22" | 2998957 | .9 | 124.66 | |
| w/426 Eng. | 26" | 3574611 | .9 | 140.30 | |
| w/A. C. | | | | | |
| w/225 Eng. | 22" | 2998939 | 1.1 | 108.94 | |
| w/318 Eng. | 26" | 3673027 | 1.1 | 114.31 | |
| w/383, 440 Eng. | 26" | 3574611 | 1.1 | 140.30 | |
| w/Max. Cooling | | | | | |
| w/225 Eng. | 22" | 2998939 | #.9 | 108.94 | |
| w/318 Eng. | 26" | 3574624 | #.9 | 140.30 | |
| w/383 Eng. | 26" | 3574611 | #.9 | 140.30 | |
| # w/A. C. Add .2. | | | | | |
| 2. Cap, Radiator Filler (16 lb.) | | 2998982 | | 2.38 | |
| 3. Panel, Radiator Side | | | | | |
| w/19" & 22" Core | Rt. | 3417411 | # 1.3 | 5.24 | |
| | Lt. | 2998057 | # 1.3 | 5.24 | |
| w/26" Core | Rt. | 3417410 | # 1.3 | 5.24 | |
| | Lt. | 2998059 | # 1.3 | 5.24 | |
| Crossmember, Side Panel | | | | | |
| 4. Upper | | 2949460 | # 1.0 | 10.38 | |
| 5. Lower * | | 2576505 | # 1.7 | 22.18 | |
| * Also Listed in Frame Section. | | | | | |
| # Time is w/Nec. Bolted Parts Removed. R&R Both Side Panels & Upr. X-Mbr. 3.0. R&R Both Side Panels & Both X-Mbr. 4.0. | | | | | |
| Shroud, Fan | | | | | |
| w/o A. C., w/22" Core | | | | | |
| w/383, 440 Eng. | | 2998328 | .9 | 9.69 | |
| w/A. C. | | | | | |
| Exc. w/225 Eng. (26" Core) | | 2998326 | .9 | 12.21 | |
| w/225 Eng. (22" Core) | | 2998327 | .9 | 9.69 | |
| 6. Hose, Radiator Upper | | | | | |
| w/o A. C., w/225 Eng. | | 1881804 | .5 | 4.03 | |
| w/318 Eng. | | 1881806 | .5 | 5.41 | |
| w/383, 426, 440 Eng. | | 1881804 | .5 | 4.03 | |
| w/A. C., w/225 Eng. | | 1881812 | .5 | 4.42 | |
| w/318 Eng. | | 3549429 | .5 | 9.43 | |
| w/383, 440 Eng. | | 2863257 | .5 | 4.03 | |
| 7. Hose, Radiator Lower | | | | | |
| w/225 Eng. | | 2863278 | .6 | 4.42 | |
| w/318 Eng. | | 1881810 | .6 | 6.35 | |
| w/383, 426, 440 Eng. | | 3462119 | .6 | 4.86 | |
| Hose, Water Pump By-Pass | | | | | |
| w/225 Eng. * | | 1315466 | | .66 | |
| w/318 Eng. | | 3462688 | | 1.86 | |
| * Part No. is for 50 Ft. Roll of 5/8" Heater Hose. Price is Per Ft. - Use Approximately 3'. | | | | | |
| 8. Fan Blades | | | | | |
| w/o A. C. | | | | | |
| w/225 Eng. | 4 Blade | 1947907 | .6 | 7.63 | |
| w/318 Eng. | 4 Blade | 2265034 | .6 | 8.39 | |
| w/318, 383, 440 Eng. | 7 Blade | 2863224 | .6 | 21.40 | |
| w/426 Eng. | 7 Blade | 2863216 | .6 | 21.40 | |
| w/A. C. | | | | | |
| w/225 Eng. | 4 Blade | 2780920 | .9 | 8.39 | |
| w/318, 383, 440 Eng. | 7 Blade | 2863216 | .9 | 21.40 | |
| w/Hi-Capacity | | | | | |
| w/225 Eng. | 7 Blade | 2863213 | #.6 | 21.40 | |
| w/318 Eng. | 7 Blade | 2863227 | #.6 | 21.40 | |
| w/383, 440 Eng. | 7 Blade | 2863223 | #.6 | 22.60 | |
| # w/A. C. Add .3 | | | | | |
| 9. Pulley, Fan | | | | | |
| w/o A. C., w/225 Eng. | | 2202666 | # | 4.16 | |
| w/318 Eng. | | 2951836 | # | 4.85 | |
| w/383, 440 Eng. | | 1821452 | # | 4.62 | |
| w/426 Eng. | | 2946716 | # | 5.15 | |
| w/A. C. | | | | | |
| w/225 Eng. | | 2406039 | # | 6.73 | |
| w/318 Eng. | | 3418227 | # | 4.62 | |
| w/383, 440 Eng. | | 2951092 | # | 4.85 | |
| # Use Fan R&R Time. | | | | | |
| Pulley, Fan Idler | | | | | |
| w/318, 383, 440 Eng. | | 2240397 | .3 | 11.80 | |

Cont'd.

COOLING & ENGINE, Cont'd. UNDER HOOD ITEMS

COOLING, Cont'd.

| | | | | | |
|--|---------|---------|-----|-----------|--|
| 10. Belt, Fan * | | | | | |
| Engine To Alt. To Fan | | | | | |
| w/225 Eng. | | | | | |
| w/37 Amp. Alt. | 57" | 2843277 | # | 5.88 | |
| w/46, 60 Amp. Alt. | 57" | 3671682 | # | 6.21 | |
| w/318 Eng. | | | | | |
| exc. w/60 Amp. Alt. | 47-1/2" | 3671524 | # | 5.37 | |
| w/60 Amp. Alt. (Dual) | 47-1/2" | 3512522 | # | 10.30 | |
| w/383-440 Eng. | | | | | |
| exc. w/60 Amp. Alt. | 46-1/2" | 2806216 | # | 5.30 | |
| w/60 Amp. Alt. (Dual) | | 3512518 | # | 10.21 | |
| w/426 Eng. | 43" | 2658895 | # | 5.17 | |
| Engine To Fan | | | | | |
| w/318 Eng. w/A. C. | | 3418339 | # | 4.53 | |
| w/383, 440 Eng. w/A. C. | | 2658793 | # | 4.45 | |
| * For Power Steering & A. C. Belts - See Appropriate Sections. | | | | | |
| # R&R Any Outside Belt .3, Each Add'l. Belt Add .1. | | | | | |
| Fluid Drive Unit, Fan | | | | | |
| w/o A. C. | | | | | |
| w/383, 426, 440 Eng. | | 2806070 | .7 | 37.51 | |
| w/A. C. | | | | | |
| w/318 Eng. w/2.94 Axle | | 3462107 | .9 | 39.50 | |
| w/2.71 Axle | | 3462108 | .9 | 39.50 | |
| w/383, 440 Eng. | | 2658456 | .9 | 39.50 | |
| 11. Water Pump | | | | | |
| w/o A. C., w/225 Eng. * | | 2808679 | #.9 | 33.76 | |
| w/318 Eng. | | 3420038 | 1.2 | 33.95 | |
| w/383, 440 Eng. | | 2808680 | .8 | 33.09 | |
| w/426 Eng. | | 3683834 | .8 | 33.09 | |
| w/A. C. | | | | | |
| w/318 Eng. | | 3420037 | 1.7 | 33.95 | |
| w/383, 440 Eng. | | 3683834 | 1.0 | 33.09 | |
| * Also w/A. C. # w/A. C. Add #2. | | | | | |
| 12. Housing, Water Pump | | | | | |
| w/383, 426, 440 Eng. | | 2951806 | | (D) 20.72 | |

ELECTRICAL

| | | | |
|---------------------------------|---------|----|-------|
| Horn Pkg., Hi-Note | 2808869 | .2 | 11.74 |
| Lo-Note | 2808868 | .2 | 11.74 |
| Relay, Horn | 2983607 | .3 | 3.14 |
| Horn Ring - See Steering Column | | | |
| Cap, Distributor | | | |
| 6 Cyl. | 2642986 | .3 | 3.81 |
| V8 w/Single Points | 2444507 | .4 | 4.44 |
| V8 w/Dual Points | 2585000 | .4 | 4.85 |
| Relay, Starter | | | |
| w/Std. Trans. | 2444453 | .3 | 4.59 |
| w/Auto. Trans. | 2444442 | .3 | 4.59 |

ALTERNATOR PARTS

| | | | |
|---|-------------|---------|------------|
| Alternator w/Pulley * | | | |
| 46 Amp. | | | |
| Exc. w/426 Eng. | 1 Groove | 3780588 | #.4 99.34 |
| | 2 Groove | 3780588 | #.4 99.34 |
| w/426 Eng. | 2 Groove | 3780588 | #.4 99.34 |
| 60 Amp. | | | |
| Exc. w/426 Eng. | 1 Groove | 3621861 | #.4 114.75 |
| w/426 Eng. | 2 Groove | 3621861 | #.4 114.75 |
| # w/A. C. Add .1. | | | |
| Shield, Front (D. E.) | | 2095945 | # 10.39 |
| Rear (R. E.) | | 3438204 | # 8.23 |
| # R&R One or Both 1.3. | | | |
| Pulley, Alternator | | | |
| Single Groove | 2 1/2" Dia. | 2444478 | #.4 4.18 |
| Double Groove | 3" Dia. | | |
| Exc. w/426 Eng. | | 2875711 | #.4 4.84 |
| w/426 Eng. | | 2095059 | #.4 4.53 |
| # Includes R&R Alternator. | | | |
| Bracket, Alt. Mtg. | | | |
| 6 Cyl. | | 3671680 | #.4 6.42 |
| V8 w/o A. C. | | | |
| w/318 Eng. | | 2951834 | #.4 1.08 |
| w/383, 426, 440 Eng. | | 2951640 | #.4 1.99 |
| V8 w/A. C. | | | |
| w/318 Eng. | | 2951868 | #.4 1.92 |
| w/383, 440 Eng. | | 2951015 | #.4 1.34 |
| # Includes R&R Alternator. | | | |
| Regulator, Voltage (w/Chry. -Alt.) | | 3438150 | #.2 20.77 |
| # Add .5 if Necessary To Adjust. | | | |
| * Note: For Higher Amp L-N Alt. & Regulator, Contact Your Local Dealer For Information. | | | |

Cont'd.

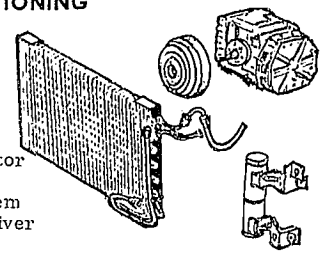
CORONET & CHARGER 1970

DODGE

G-3

| COOLING & ENGINE, Cont'd. | | | |
|---|-------------------|---------------------------------|------------|
| UNDER HOOD ITEMS | | ENGINE | |
| R&I Engine Assembly | | Cylinder Block R&R | |
| 6 Cyl. S.T. #5.1 | A.T. #5.5 | Incl. Grind Valves & Tune | |
| V8 S.T. #6.0 | A.T. #6.6 | 6 Cyl. S.T. #18.0 | A.T. #19.3 |
| Engine R&R | | (#w/A.C. Add .5, Does Not Incl. | |
| Incl. Transfer Elec. & Fuel Units | | Evacuate & Recharge System) | |
| Does Not Include Transfer Access. | | Adjust Linkage Complete | 1.0 |
| 6 Cyl. S.T. #7.1 | A.T. #7.5 | Clutch or Disc R&R | |
| V8 S.T. #8.5 | A.T. #9.1 | 3 Speed | 2.4 |
| Short Block R&R | | 4 Speed exc. | 3.2 |
| Incl. Grind Valves & Tune | | 426 Eng. | 5.6 |
| 6 Cyl. S.T. #12.7 | A.T. #13.7 | 440 Hi Perf. | 4.6 |
| V8 exc. S.T. #17.1 | A.T. #18.0 | Transmission R&R | |
| 426 S.T. #20.2 | A.T. #21.1 | 3 Speed | 1.8 |
| 440 S.T. #17.3 | A.T. #18.0 | 4 Speed exc. | 3.4 |
| | | 426 Eng. | 5.8 |
| | | 440 Hi Perf. | 4.7 |
| | | Auto. exc. | 3.9 |
| | | 426, 440 Hi Perf. | 4.9 |
| Damper, Vibration | | | |
| 6 Cyl. | | 2806211 | #2.0 |
| V8 w/318 Eng. | | 2951673 | #.9 |
| w/383, 440 Eng. exc. | | 2658457 | #.9 |
| 383 w/Cast Ck/Shft. | | 3577180 | #.9 |
| 440 w/Hi-Perf. | | 3512017 | #.9 |
| w/426 Eng. | | 2658871 | #1.3 |
| | | # w/A.C. Add .4 | |
| Pulley, Crankshaft | | | |
| 6 Cyl. | 1 Groove | 2205518 | # |
| | 2 Groove | 2264449 | # |
| V8 w/o A.C. | | | |
| Exc. w/426 Eng. w/o P.S. | | 1821449 | # |
| | w/P.S. | 2946789 | # |
| | w/426 Eng. w/P.S. | 2946713 | # |
| V8 w/A.C. | | | |
| w/318 Eng. | | 2951122 | # |
| w/383, 440 Eng. | | 2951122 | # |
| # Exc. w/Radiator Removed | 6 Cyl. .5, V8 .2. | | |
| Insulator, Eng. Front Support | | | |
| 6 Cyl. | Rt. | 2806476 | .7 |
| | Lt. | 2658283 | .7 |
| V8 Exc. w/426 Eng. | | | |
| Exc. S/W | (2) | 2536121 | 1.0 |
| S/W | (2) | 2863735 | 1.0 |
| w/426 Eng. | Rt. | 2532708 | 1.2 |
| | Lt. | 2951599 | 1.8 |
| Insulator, Eng. Rear Support | | | |
| Exc. w/426 Eng. | | 2533145 | .6 |
| w/426 Eng. | | 2660673 | .6 |
| Bracket, Front Support Insulator | | | |
| 6 Cyl. | Rt. | 2806476 | # |
| | Lt. | 2658283 | # |
| V8 w/318 Eng. | Rt. | 3418394 | # |
| | Lt. | 2806025 | # |
| V8 w/383, 440 Eng. | Rt. | 2536132 | # |
| | Lt. | 2863751 | # |
| V8 w/426 Eng. | Rt. | 2780672 | # |
| | Lt. | 2780673 | # |
| # .3 w/Insulator Removed. | | | |
| Crossmember, Rear Eng. Support | | | |
| Trans. Mtg. | | 2962040 | #.4 |
| # Includes R&R Insulator. | | | |
| Cover, Timing Chain | | | |
| 6 Cyl. | | 2863126 | #2.3 |
| V8 w/318 Eng. | | 2951671 | #3.0 |
| V8 w/383, 426, 440 Eng. | | 3698614 | ## |
| # w/A.C. Add .5, ## w/383 2.4, w/426 2.9, w/440 2.4 | | | |
| Seal, Timing Cover Oil | | | |
| 6 Cyl. | | 2899531 | # |
| V8 w/318 Eng. | | 3751235 | # |
| V8 w/383, 426, 440 Eng. | | 3751235 | # |
| # Use Cover Time. | | | |
| Gasket, Timing Cover | | | |
| 6 Cyl. | | 1947554 | # |
| V8 w/318 Eng. | | 2129012 | # |
| V8 w/383, 426, 440 Eng. | | 2264794 | # |
| # Use Cover Time. | | | |
| Pan, Engine Oil | | | |
| 6 Cyl. | | 3614264 | 2.4 |
| V8 w/318 Eng. | | 3614227 | 3.1 |
| V8 w/383 Eng. | | 3671693 | 3.1 |
| V8 w/426, 440 Eng. | | 3671852 | 3.1 |

| COOLING & ENGINE, Cont'd. | | | |
|--|-----|-----------------|------------|
| UNDER HOOD ITEMS | | ENGINE, Cont'd. | |
| Gasket Set, Oil Pan | | | |
| 6 Cyl. | | 2240647 | # 4.59 |
| V8 w/318 Eng. | | 3514157 | # 3.65 |
| V8 w/383, 426, 440 Eng. | | 2658685 | # 1.66 |
| # Use Oil Pan Time. | | | |
| Oil Filter | | | |
| Sealed Can Type | | 1851658 | .3 4.75 |
| For Comp. Speed | | 2536186 | .3 4.75 |
| Cartridge Type | | 2532756 | .3 9.17 |
| Cartridge, Filter | | 2532752 | .3 3.90 |
| Fuel Pump * | | | |
| 6 Cyl. w/o E.C.S. | | 2932798 | .5 15.76 |
| w/E.C.S. | | 3420834 | .5 15.57 |
| V8 w/318 Eng. | | 3744806 | .7 16.46 |
| V8 w/383 Eng. | | 3621675 | .7 14.42 |
| V8 w/426 Eng. | | 2585118 | .7 14.54 |
| V8 w/440 Eng. | | 3420835 | .7 15.57 |
| * E.C.S. Indicates Emission Control System. | | | |
| AIR CONDITIONING | | | |
| R&R Does Not Include | | | |
| Evacuate & Recharge System | 1.4 | | |
| Capacity of System | | | |
| 3 Lb. 2oz. to 3 Lb. 6 oz. | | | |
| Refrigerant - Freon 12 | | | |
| If all A/C refrigerant has been lost by collision damage the receiver-dehydrator should be replaced. Replacement of collision damaged A/C parts on a system still pressurized may not require receiver dehydrator renewal. | | | |
| Condenser 6 Cyl. | | 3441422 | 1.2 98.99 |
| V8 | | 3441423 | 1.2 106.50 |
| Compressor w/o Pulley * | | 3609284 | 1.2 127.39 |
| * Replaces Production Part No. Part No. is Located on Identification Tag on Compressor. | | | |
| Clutch w/Pulley & Hubs | | | |
| 1 Groove 6 5/8" O.D. | | 2521824 | .6 69.56 |
| 2 Groove 5 3/8" O.D. | | 2837163 | .6 71.71 |
| 6 1/4" O.D. | | 2936761 | .6 64.90 |
| Bracket, Comp. Mtg. | | | |
| Front 6 Cyl. | | 2468809 | 6.95 |
| V8 w/318 Eng. | | 3698992 | 4.85 |
| V8 w/383, 440 Eng. | | 2899526 | 4.85 |
| Rear V8 w/318 Eng. | | 2951866 | 2.28 |
| V8 w/383 Eng. | | 2951809 | 3.02 |
| V8 w/440 Eng. | | 2899961 | 3.02 |
| Side V8 w/318 Eng. Lt. | | 3418261 | 1.59 |
| Pulley, Comp. Drive | | | |
| 6 Cyl. (Only) | | 2202794 | 4.85 |
| Bearing, Clutch | | 1769318 | 1.0 19.65 |
| Belt, Compressor Drive | | | |
| Engine To Compressor | | | |
| 6 Cyl. | | 3418384 | # 7.51 |
| V8 w/318 Eng. * | | 3462974 | # 11.32 |
| w/383, 440 Eng. * | | 2658792 | # 12.44 |
| * Dual - 2 Required. | | | |
| # R&R Any Outside Belt .3, Each Add'1. Belt Add .1. | | | |
| Coil, Drive Clutch | | | |
| 1 3/8" thick X 4 13/16" O.D. | | 3502324 | .8 36.41 |
| 1 7/8" thick X 4 3/16" O.D. | | 3502746 | .8 36.41 |
| Seal, Comp. Crankshaft Gas | | 1426501 | 1.3 7.68 |
| Receiver Drier | | 3441244 | .3 25.30 |
| Valves | | | |
| Pressure Regulator | | 3555995 | 29.98 |
| Temp. Regulator | | 2837402 | 29.98 |
| Expansion exc. | | 2932843 | 1.0 40.50 |
| Roof Unit | | 2936438 | 40.50 |
| Motor, Blower | | 3420950 | .8 37.02 |
| Refrigerent (Freon 12) 1 Lb. Can | | 3837730 | 2.55 |
| HEATER PARTS | | | |
| Motor, Blower | | 2837820 | 2.6 28.84 |
| Hose, Heater (5/8" I.D.) * | | 1315466 | .66 |
| * Part No. is for 50 Ft. Roll Price is Per Ft., Use As Required. | | | |



Cont'd.

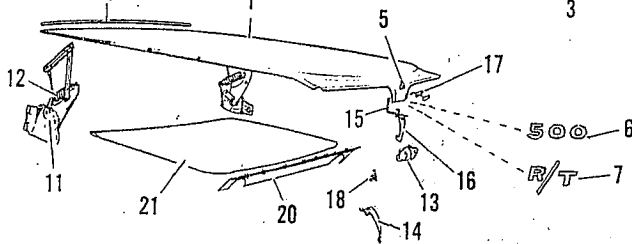
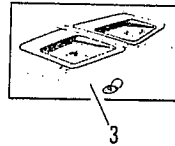
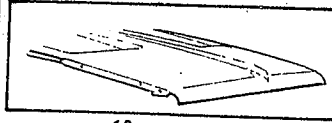
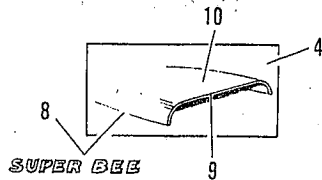
G-3

DODGE

CORONET & CHARGER 1970

HOOD

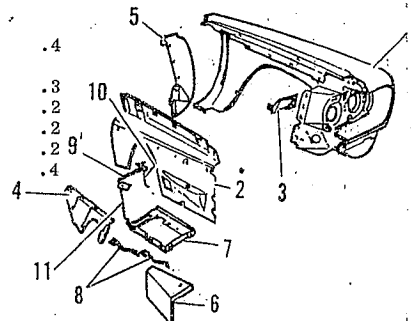
Refinish Hood exc. 2.5
w/2-Tone 3.5
Add to Hood R&R
to Drill for N/Plate .2
for Ornament .2
Decal Time Does Not Include
Removal of Old Decal.



| | | | |
|------------------------------------|-------------|-----|--------|
| Panel, Hood | | | |
| 1. Exc. | 3417037 | 1.0 | 134.96 |
| 2. Charger | 3417057 | 1.1 | 126.27 |
| 3. Super Bee, R/T | 3417051 | 1.3 | 137.68 |
| 4. Super Bee, R/T * | 3417779 | 1.8 | 137.68 |
| * w/Fresh Air Pack. | | | |
| 5. Ornament, Front (Super Bee) | 2998065 | .2 | 3.49 |
| 6. Numeral, Front "500" (Cor.) | 2998062 | .2 | 2.36 |
| Side "383" | 3613277 | | 2.42 |
| "440" | 3613278 | | 4.23 |
| "Hemi" | 2898876 | | 4.92 |
| Nameplate | | | |
| 7. "R/T" (Front) | 2998066 | .2 | 3.62 |
| 8. "Super Bee" (On Scoop) | 2998749 | | 4.31 |
| Decal, Hood "440" | 3443334 | | 6.37 |
| "Hemi" | 3443467 | | 10.72 |
| 9. Bezel, Hood Scoop | | | |
| Super Bee, R/T | 2949146-7 | | 4.85 |
| 10. Scoop, Hood * | | | |
| Hood Air Intake | 2949476-7 | .6 | 28.63 |
| Hood Air | 3443426-7 | .6 | 40.09 |
| Cover, Hood Air Intake Scoop * | 2949478-9 | | 1.30 |
| * Super Bee, R/T w/Fresh Air Pack. | | | |
| 11. Hinge, Hood | 3454154-5 | .4 | 8.99 |
| 12. Spring, Hinge | 2862050 | .2 | 2.82 |
| 13. Latch (Lock), Hood | 3695872 | .3 | 7.04 |
| 14. Handle, Release | | | |
| Exc. | 2999736 | | 1.56 |
| Charger | 3454225 | | 1.90 |
| 15. Striker, Hood Lock | | | |
| Exc. | 2999171 | .2 | 2.81 |
| Charger | 2999213 | .2 | 2.55 |
| 17. Handle w/Brkt., Catch Release | | | |
| Exc. Charger | 3454331 | | 2.74 |
| 18. Spring, Hood Release Pop-Up | | | |
| Exc. | 2999730 | | .37 |
| Charger | 2935375 | | .28 |
| 19. Seal, Hood To Cowl | 2582705 | | 2.37 |
| 20. Hood To Yoke | 2786182 | | 2.74 |
| 21. Silencer, Hood | 2949831 | #.3 | 6.09 |
| Baffle, Air Scoop * | 2998396-7 | | 4.92 |
| Duct, Hood Air Intake * | | | |
| Center | 2998461 | | 10.15 |
| Outer exc. | 2998452-3 | | 34.78 |
| w/426 Eng. Lt. | 2998457 (D) | | 32.88 |
| Cable, Duct Air Control * | 2949229 | | 1.29 |
| Seal, Hood Air Intake * | | | |
| To Scoop | 2949498-9 | | 1.14 |
| To Center Duct | 2998458 | | .94 |
| Duct Upper Outer (2) | 2998456 | | .62 |
| Lower Duct | 2949233 | | 20.34 |
| * Super Bee, R/T w/Fresh Air Pack. | | | |
| Plate w/Vert. Lock Support | | | |
| Exc. | 2998470 | | 9.51 |
| Charger | 2998475 | | 9.51 |
| Stud & Pin Pkg., Tie Down | 3549611 | | 14.67 |

FRONT FENDER

Refinish Fender 2.5
Inner Side Shield R&R
is w/Fender Removed
Add to Fender R&R
for Antenna .4
to Drill for & Install
one Moulding .3
Ea. Add'l. Moulding .2
Nameplate .2
to Drill for Turn Ind. Lamp .2
for Stripes .4

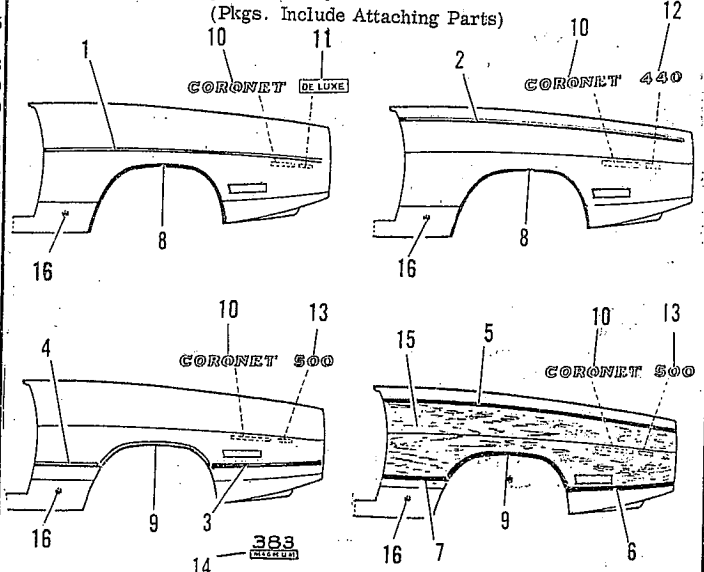


| | | | |
|--|-----------|------|--------|
| 1. Fender exc. | 3419882-3 | #2.2 | 105.63 |
| Charger | 3419884-5 | #2.2 | 109.91 |
| # See Note Above for Additional Time | | | |
| # Time is w/Nec. Bolted Parts Rem. R&R w/Rad. Side Shield Rem. 2.5 | | | |
| Shield, Headlamp Splash | | | |
| 3. Upper exc. Charger | 2998484-5 | # | 5.24 |
| Lower exc. Charger | 2949850-1 | # | 3.73 |
| Charger | 2998256-7 | # | 4.97 |
| # R&R All .6 | | | |
| 4. Shield, Side Rail Lower Splash Lt. | 3583003 | | 5.55 |
| 5. Shield, Fender To Dash | 2861822-3 | .5 | 12.56 |
| 6. Shield, Front Susp. X-Member | 3642974-5 | | 2.88 |
| 7. Tray, Battery | 2925322 | | 4.16 |
| 8. Brace, Tray | 2800647 | (2) | .62 |
| 9. Strap, Battery Holddown | 3404404 | | 2.38 |
| 10. Stud, Holddown Outer | 2534814 | | .45 |
| 11. Inner | 2074089 | | .45 |
| Antenna, Radio (Manual) | 2889826 | .4 | 7.31 |
| Mast, Antenna 31" | 3513745 | | 4.70 |
| 76 1/2" | 2889934 | | 7.57 |

MOULDINGS & TRIM

Stripe tape or overlay time does not incl. removal of old tape or overlay.

(Pkgs. Include Attaching Parts)



| | | | |
|----------------------------|-----------|--------|------|
| Moulding Pkg., Side | | | |
| 1. Deluxe 4 Drs. | 3549634 | .3 | 3.17 |
| 2. 440 4 Drs. | 3419860-1 | .3 | 8.72 |
| 3. 500 4 Dr. Sed. Front | N.A. | .3 | N.A. |
| 4. Rear | N.A. | .3 | N.A. |
| 5. 500 S/W Upper | 3419860-1 | .3 | 8.72 |
| 6. Lower Front | 3419862-3 | | 5.70 |
| 7. Lower Rear | 3419866-7 | | 4.47 |
| Optional - Vinyl - All (2) | | | |
| Black | 3419870 | .3 | 8.01 |
| Citron Gold | 3549199 | .3 (D) | 5.15 |
| Green | 3549220 | .3 | 6.85 |
| Blue | 3549221 | .3 | 6.85 |

Cont'd.

Cont'd.

CORONET & CHARGER 1970

DODGE

G-3

FRONT FENDER, Cont'd.

MOULDINGS & TRIM, Cont'd.

| | | | |
|------------------------------|--|-----------|------|
| Moulding Pkg., Wheel Opening | | | |
| 8. | Exc. | 3419868-9 | .3 |
| 8. | Charger 500 | 2786600-1 | .3 |
| 9. | 500 4 Dr. Sed. | 2965238-9 | .3 |
| 9. | 500 S/W | 3419864-5 | .3 |
| Nameplate Side | | | |
| 10. | "Coronet" | 3504801 | 3.17 |
| | "Hemi" | 3506192 | 4.04 |
| Ornament, Side "Deluxe" | | | |
| 11. | Coronet Deluxe | 2579701 | 1.75 |
| 12. | Numeral, Side "440" | 3570343 | 2.18 |
| 13. | "500" | 3504810 | 1.90 |
| 14. | "383" Magnum | 3444957 | 2.82 |
| 15. | Overlay, Wood Grain (2) | | |
| | 500 S/W | 3444834 | # |
| | # 1.5 w/Mldgs. Removed & After Painting. | | |
| 16. | Medallion "Pentastar" | 2785540 | 1.20 |

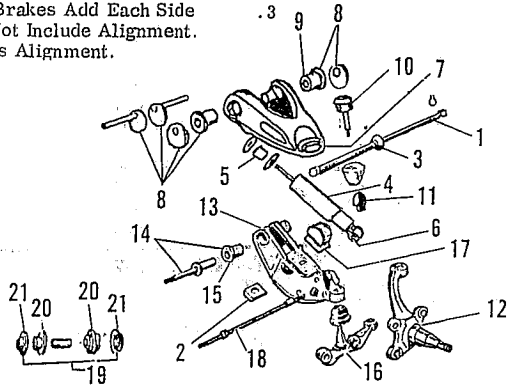
FRONT SUSPENSION, Cont'd.

| | | | |
|--|-----------------------------------|-----------|------------|
| 3. | Seal, Rear Anchor | 2071173 | .52 |
| | Lock, Rear Anchor | 1671446 | .14 |
| 4. | Shock Absorber w/Bshgs. (All) | 3683992 | .7 15.75 |
| 5. | Bshg. (Only), Shock Upper | 2206923 | .52 |
| 6. | Lower | 1635588 | .74 |
| 7. | Arm (Only), Upper Control | 1857856-7 | #1.6 9.92 |
| 8. | Cam & Bshg. Pkg., Inner | 2084920 | #1.7 9.63 |
| # w/Disc Brakes Add .3 | | | |
| 9. | Bshg. (Only), Inner | 2071204 | 2.87 |
| | Bracket, Upper Arm Mtg.* Rt. | 2467982 | 16.56 |
| | Lt. | 2204185 | 16.56 |
| * Also Listed in Frame Section | | | |
| 10. | Ball Joint Pkg., Upper | 2298534 | 1.2 14.75 |
| 11. | Bumper, Upper Arm | 2535204 | .4 .84 |
| 12. | Knuckle, Steering | | |
| | w/Std. Brakes | 2535697 | 1.3 56.52 |
| | w/Disc Brakes | 2535694-5 | 1.6 56.52 |
| 13. | Arm w/Shaft, Lower Control | | |
| | Use w/o Sway Bar | 2535878-9 | #1.7 32.69 |
| | Use w/Sway Bar | 2535974-5 | #1.7 32.69 |
| # w/Disc Brakes Add .3 | | | |
| 14. | Shaft w/Nut & Washer, Lwr. Arm | 2808579 | 6.61 |
| 15. | Bushing (Only), Shaft | 1858024 | 2.17 |
| 16. | Strg. Arm & Ball Joint Pkg., Lwr. | 3837092-3 | #1.3 29.59 |
| # w/Disc Brakes Add .3 | | | |
| 17. | Bumper, Lower Arm | 2535027 | 1.12 |
| 18. | Strut, Lower Arm | 2462585 | #1.7 11.41 |
| # w/Disc Brakes Add .3 | | | |
| 19. | Bshg. & Ret. Pkg., Strut | 2808664 | 2.57 |
| 20. | Bshg. (Only), Strut Front | 2462740 | .76 |
| | Rear | 2462741 | .68 |
| 21. | Retainer (Only), Bshg. (4) | 2207322 | .45 |
| | Sway Bar (or Shaft) Complete | 2835862 | .8 25.48 |
| | Link, Insulator (2) | 2535992 | .5 1.62 |
| | Insulator, Link (8) | 2071604 | .45 |
| Crossmember, Front Suspension - See Frame Section. | | | |

FRONT SUSPENSION

Check and Adjust

| | |
|---------------------------------|-------|
| Caster, Camber, Toe-In | 1.5 |
| Toe-In Only | .5 |
| O/H One Side # 3.5, Both Sides | # 5.5 |
| #w/Disc Brakes Add Each Side | .3 |
| R&R Does Not Include Alignment. | |
| O/H Includes Alignment. | |

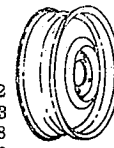


| | | | |
|--|---------------------------------|-----------------|-----------|
| Hub & Drum | | | |
| | 10 X 2-1/2" Budd or Mtr. Wheel | 3580704-3549845 | .7 47.74 |
| | 11 X 3" Mtr. Whl. "L35919" | 2781564-3580547 | .7 58.90 |
| Hub & Brake Disc (Disc Brakes) | | | |
| | | 3549801-2 | .9 50.60 |
| Bearing Cone, Wheel | | | |
| | Outer | 1619703 | # 2.40 |
| | Inner | 1619701 | # 3.17 |
| Bearing Cup, Wheel | | | |
| | Outer | 1619702 | # 1.20 |
| | Inner | 1619700 | # 1.40 |
| Oil Seal, Front Wheel | | | |
| | w/10" Brakes | 2808267 | # 1.90 |
| | w/11" Brakes | 2808269 | # 2.15 |
| | w/Disc Brakes | N.A. | # N.A. |
| #R&R Bearings, Cups or Seals .7, exc. w/Disc Brakes .9 | | | |
| Support (Backing Plate), Brake | | | |
| | w/10" Brakes | 3461536 | 1.4 11.45 |
| | w/11" Brakes | 3461538 | 1.4 13.90 |
| Splash Shield, Disc Brake | | | |
| | | 2944710-1 | 1.1 2.94 |
| Housing w/Shoes, Disc Brake | | | |
| | | 3744480-1 | 55.78 |
| Hose, Brake | | | |
| | w/10 or 11" Brakes | 3461730 | # 4.92 |
| | w/Disc Brakes | 2925163 | # 6.02 |
| # One .5, Both .8, Including Bleed Brakes. | | | |
| 1. Torsion Bar (Standard) | | | |
| | w/225 Eng. | 1857774-5 | .9 19.45 |
| | w/318-383 exc. S/W, S/Bee, Chg. | 1857776-7 | .9 19.45 |
| | S/W | 1857774-5 | .9 19.45 |
| | S/Bee & Charger | 1857778-9 | .9 19.45 |
| | All w/426-440 Eng. | 1857780-1 | .9 19.45 |
| 1. Torsion Bar (Heavy Duty) | | | |
| | All exc. w/426-440 Eng. | 1857778-9 | .9 19.45 |
| | w/426-440 Eng. | 1857780-1 | .9 19.45 |
| 1. Torsion Bar (Extreme Duty) | | | |
| | | 1857780-1 | .9 19.45 |
| 2. Bolt & Swivel Pkg., T/Bar Adj. | | | |
| | Standard exc. | 2275468 | 2.36 |
| | S/Bee, Chgr. & w/426-440 | 2275469 | 2.36 |
| | Heavy Duty | 2275469 | 2.36 |

WHEEL

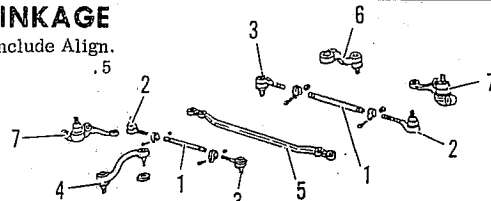
Refinish Wheel .5

| | | | |
|---------------------|-------------------------------|---------|----------|
| Wheel | | | |
| | 14 X 5.00 | 3621952 | .3 18.51 |
| | 14 X 5.50 Std. | 3621953 | .3 18.90 |
| | 14 X 5.50 (Styled - Class I) | 3580058 | .3 27.74 |
| | 14 X 5.50 (Styled - Class II) | 3580059 | .3 52.93 |
| | 14 X 6.00 | 3420978 | .3 20.54 |
| | 14 X 6.00 (Styled - Class II) | 3580065 | .3 52.93 |
| | 15 X 6.00 | 3580063 | .3 25.83 |
| | 15 X 7.00 | 3580070 | .3 25.14 |
| | 15 X 7.00 (Styled - Class I) | 3580071 | .3 32.49 |
| Cover, Wheel | | | |
| | Standard | 2944435 | 19.90 |
| | Deluxe | 2944441 | 19.90 |
| | Wire | 3461467 | 53.31 |
| Applique, Cover (4) | | | |
| | | 2944443 | 2.74 |
| Trim Ring, Wheel | | | |
| | 14" (Class I or II) | 2944424 | 14.54 |
| | 15" Chrome | 3461043 | 14.54 |
| | Brushed Chrome | 3461222 | 14.54 |
| | Dome (Use w/Chrome Wheel) | 2823842 | 5.32 |



STEERING LINKAGE

R&R Does Not Include Align. Adjust Toe-In .5



| | | | |
|---|-------------------|---------|----------|
| 1. Tube, Tie Rod | | | |
| | End Pkg., Tie Rod | 2072437 | 2.43 |
| 2. Outer (R.H. Thread) | | | |
| | | 3420154 | # 8.90 |
| 3. Inner (L.H. Thread) | | | |
| | | 3420155 | # 8.90 |
| #One .3, Two-One Side .5 | | | |
| 4. Arm, Idler | | | |
| | | 2535886 | .7 14.75 |
| 5. Link, Center | | | |
| | | 1858015 | .9 15.41 |
| 6. Arm, Steering Gear | | | |
| | | 2948586 | .5 14.22 |
| 7. Strg. Arm w/Lower Ball Joint - See Front Suspension. | | | |

Cont'd.

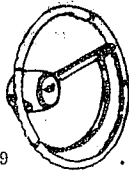
G-3

DODGE

CORONET & CHARGER 1970

STEERING COLUMN

WHEEL & TRIM



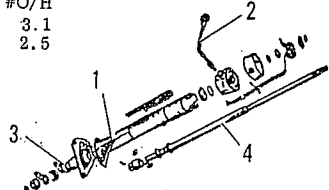
| | | | | |
|---|---------|----------|-------|--|
| Wheel, Steering | | | | |
| w/Horn Button (Black)* | 4017FX9 | .7 | 31.39 | |
| w/Horn Ring (Black)* | 4008FX9 | .7 | 33.21 | |
| w/Rim Horn Switch (Black)* | 4010FX9 | .7 | 65.79 | |
| w/Wood Grain | 4016FTT | .7 | 47.26 | |
| w/Soft Rim | P006JX9 | .7 | 42.95 | |
| *For Colors Not Listed - Call Local Dealer. | | | | |
| Extension, Wheel Hub | | | | |
| w/Wood Grain Wheel | 2996788 | | .98 | |
| Ornament, Wheel | | | | |
| w/Rim Horn Switch | 2996889 | 2.57 | | |
| Pad & Ring, Strg. Wheel | 4042FX9 | | 14.88 | |
| Pad, Steering Wheel | | | | |
| w/Rim Horn Switch | 4011FX9 | 9.37 | | |
| w/Soft Rim Wheel | 4005FX9 | | 19.60 | |
| Button, Horn (Black)* | | | | |
| w/o Rim Horn Switch | 4071FX9 | (D) 2.75 | | |
| Cap, Ornament (Black)* | | | | |
| w/Wood Grain Wheel | 4047DX9 | 6.88 | | |
| *For Colors Not Listed - Call Local Dealer. | | | | |
| Switch, Rim Horn | 3467179 | | 6.88 | |

DIRECTIONAL SIGNAL & PARTS



| | | | |
|---------------------------------|---------|-----|-------|
| 1. Switch, Signal | 2947503 | 1.6 | 12.76 |
| 2. Lever & Knob | | | |
| w/o Auto. Speed | 2947963 | .5 | 2.82 |
| w/Auto. Speed * | 3746518 | 2.0 | 41.74 |
| *Includes Speed Control Switch. | | | |

COLUMN PARTS

| | | | | |
|---|---------|------|-------|--|
| Column Assy. | R&R | #O/H | | |
| w/Column Shift | 2.1 | 3.1 | | |
| w/Floor Shift | 1.6 | 2.5 | | |
| #Includes R&I Assembly. | | | | |
|  | | | | |
| 1. Jacket, Steering Column | | | | |
| Column Shift | | | | |
| w/3 Speed Manual Trans. | 2996013 | | 28.25 | |
| exc. 3 Speed Manual Trans. | 2996014 | | 32.69 | |
| 2. Lever & Knob, Gearshift | | | | |
| w/Std. Trans. | 3575215 | | 8.02 | |
| w/Auto. Trans. | 2950965 | | 8.02 | |
| 3. Tube, Gearshift | | | | |
| Exc. | 2996033 | 1.9 | 19.98 | |
| w/3 Speed Std. Trans. | 2996035 | 1.9 | 19.98 | |
| 4. Shaft, Steering | | | | |
| w/Std. Steering | 2996754 | | 21.78 | |
| w/Power Steering | 2996755 | | 21.78 | |
| Coupling Body, Shaft | | | | |
| w/Std. Steering | 3579521 | .9 | 7.79 | |
| w/Power Steering | 3579522 | .9 | 7.79 | |

STEERING GEAR

GEAR - MANUAL

| | | | |
|------------------------------|------|-----|------|
| Gear Assy. | Adj. | R&R | #O/H |
| 6 Cyl. | .8 | 1.1 | 2.6 |
| V8 exc. 426 | .8 | 1.3 | 3.0 |
| V8 w/426 Eng. | .8 | 1.6 | 3.2 |
| # Includes R&I Gear Assembly | | | |




Cont'd.

STEERING GEAR, Cont'd.

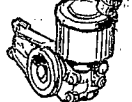
GEAR - MANUAL, Cont'd.

| | | |
|---|---------|-------|
| Chuck Assy. (Strg. Gear Assy.) | 2537726 | 84.07 |
| Worm w/Ball Nut Assy. | 2267454 | 42.89 |
| Shaft & Tooth (Cross Shaft) | 2127104 | 24.88 |
| O/Haul Pkg., Strg. Gear * | 2808420 | 10.60 |
| * Bearings, Cups, Seals, Gaskets & Shims. | | |
| Adjuster, Worm Bearing | 2127146 | 9.16 |
| Housing, Gear | 2948812 | 43.78 |
| Cover, Cross Shaft | 2267152 | 12.32 |

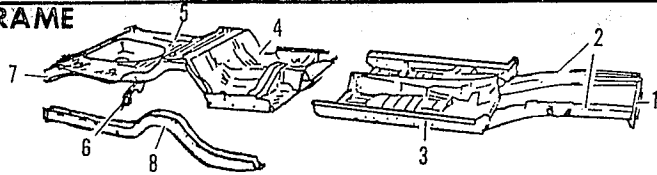
GEAR - POWER

| | | |
|---|-----------------------|--------|
| Gear Assy. Adj. R&R #O/H | Pwr. Strg. .6 2.0 5.0 | |
| # Includes R&I Gear Assembly | | |
|  | | |
| Chuck Assy. (Strg. Gear Assy.) | | |
| All exc. w/426 Eng. | 2537736 | 258.79 |
| w/426 Eng. | 2537737 | 213.03 |
| Worm w/Piston | 2948855 | 48.56 |
| Shaft & Tooth (Cross Shaft) | 2537775 | 27.14 |
| "O" Ring, Seal & Gskt. Pkg. | 3579524 | 13.39 |
| Bearing, Strg. Cross Shaft (2) | 2948801 | 1.70 |
| Head, Housing | 2126946 | 13.90 |
| Valve, Gear (on Housing) | | |
| All exc. w/426 Eng. | 3643027 | 24.57 |
| w/426 Eng. | 3643027 | 24.57 |
| Housing, Strg. Gear | 3579525 | 60.50 |
| Cover, Cross Shaft | 3579510 | 11.35 |

PUMP - POWER

| | | |
|--|---------|----------|
| R&R Pump Assembly | 1.5 | |
| O/H Including R&R | 1.9 | |
|  | | |
| Pump Assy. w/o Pulley | | |
| 6 Cyl. ** | 3004801 | 111.87 |
| V8 exc. 318 * | 2891196 | 107.83 |
| w/318 * | 2891218 | 102.70 |
| All ** | 3004800 | 112.92 |
| * Key Slotted Shaft & Oval Filler Reservoir. | | |
| **3/8" Hole Shaft & Round Filler Reservoir. | | |
| Reservoir - Oval Filler exc. 318 | 2537836 | .8 14.14 |
| w/318 | 2891224 | .8 14.74 |
| Round Filler All | 2891156 | .8 6.78 |
| Cap, Reservoir Filler Oval | 2891284 | 3.33 |
| Round | 2267694 | 1.65 |
| Pulley, Pump | | |
| Key Slotted Shaft V8 exc. 318 | 2951203 | .6 5.60 |
| w/318 | 2951989 | .6 5.87 |
| 3/8" Hole Shaft 6 Cyl. | 2951157 | .6 5.15 |
| V8 w/318 | 2951901 | .6 5.60 |
| w/426 | 2951207 | .6 10.03 |
| Fan Belt, Eng. to Pump | | |
| w/225 Eng. 13/32 x 40-3/4" | 3512025 | # 4.72 |
| w/318 Eng. w/o A. C. 1/2 x 42" | 2951984 | # 4.53 |
| w/A. C. | 2951898 | # 5.24 |
| w/383-440 44" | 2951202 | # 5.07 |
| w/426 Eng. 29-1/2" | 2268386 | # 5.17 |
| # R&R Any Outside Belt .3, Ea. Add'l. Belt .1. | | |
| Hose, Pressure | | |
| w/225 Eng. | 3514988 | .3 12.88 |
| V8 w/318 Eng. | | |
| w/Threaded Shaft Pump | 3420194 | .3 12.88 |
| w/Slotted Shaft Pump | 2891208 | .3 12.88 |
| w/383, 440 Eng. | 2891078 | .3 12.53 |
| w/426 Eng. | 3004834 | .3 11.13 |
| Hose, Return | 2537699 | .2 1.47 |
| Bracket, Pump Mounting | | |
| w/225 Eng. | 3462860 | # 2.50 |
| (to Engine) | 3462417 | # 2.50 |
| w/318 Eng. | | |
| w/Key Slotted Shaft Pump Frt. | 2951985 | # 4.23 |
| Rr. | 2951987 | # 2.88 |
| w/Threaded Shaft Pump Frt. | 3418348 | # 4.23 |
| Rr. | 2951257 | # 2.03 |
| w/383-440 Eng. | | |
| w/Key Slotted Shaft Pump Frt. | 2951196 | # 2.88 |
| Rr. | 2951198 | # 2.18 |
| w/426 Eng. | | |
| w/Threaded Shaft Pump | 2951126 | # 2.37 |
| # .3 w/Pump Removed. | | |

FRAME



| | | | |
|---|-----------------|-------|--------|
| 1. Crossmember, Front | 2576505 | # 1.7 | 23.22 |
| # w/Bolted Parts Removed. | | | |
| Crossmember, Front Suspension (Complete) | | | |
| w/225 Eng. | 2962092 | #5.0 | 90.16 |
| w/318-383 Eng. | 3466479 | #5.0 | 101.65 |
| w/426 Eng. | 2962094 | #5.0 | 92.47 |
| w/440 Eng. | 3466479 | #5.0 | 101.65 |
| #Includes Transfer All Assys., but Not O/H Assys. or Align | | | |
| Wheels, Add to O/H One Knee | 2.5, Both Knees | 4.5. | |
| Crossmember, Torsion Bar Anchor | | | |
| w/1/2" Mounting Holes | 2576512 | | 43.38 |
| w/3/8" Mounting Holes | 3417812 | | 43.38 |
| Brace, Front X-Member | | | |
| to Front Susp. X-Member | 2530683 | | 2.88 |
| 2. Rail, Side Front (Complete) | 3417810-1 | # 7.5 | 65.69 |
| #Time is w/Front Fender and Side Shield Removed. | | | |
| Reinf., Side Rail Front | 2530666-7 | | 1.57 |
| to Side Sill Inner | 2527104-5 | | 5.17 |
| Bracket, Side Rail | | | |
| (Upr. Cont. Arm Mtg.) * Rt. | 2467982 | | 16.56 |
| Lt. | 2204185 | | 16.56 |
| * Also Listed in Front Suspension Section. | | | |
| Splash Shield, Frt. Susp. X-Mbr. | | | |
| to Front Side Rail | 3642974-5 | | 2.88 |
| Crossmember, Eng. Rear Supt. | | | |
| & Transmission Mtg. * | 2962040 | #.4 | 14.68 |
| *Also Listed in Engine Section. #Includes R&R Insulator. | | | |
| 3. Pan, Front Floor | 2900800 | | 56.28 |
| 4. Pan, Center Floor | | | |
| All exc. S/W | 3445440 | | 44.83 |
| S/W | 3440823 | | 46.94 |
| 5. Pan, Rear Floor | | | |
| Exc. | 2838707 | # | 45.30 |
| Charger | 3444967 | # | 40.40 |
| S/W Front | 2860810 | | 20.79 |
| Rear | 2895348 | | 58.93 |
| (#R&R w/One Qtr. & Back Panel Rem. 8.0, w/Both Qtrs. & Back Panel Rem. 7.0) | | | |
| Extension, Rear Floor Pan Side | | | |
| S/W | 2860142-3 | | 9.09 |
| 6. Crossmember, Rear Floor Pan | | | |
| Rear Shock Absorber | 2934451 | | 20.49 |
| 7. Crossmember, Rear Floor Pan Rear | | | |
| All exc. S/W | 2859282 | #2.0 | 10.38 |
| S/W | 2860356 | #2.0 | 12.00 |
| (#w/Necessary Bolted Parts Removed.) | | | |
| Extension, Rear Floor Pan Rear X-Mbr. | | | |
| All exc. S/W | 2840536-7 | | 2.17 |
| S/W | 2860296-7 | | 4.20 |
| 8. Side Rail, Rear | | | |
| All exc. S/W | 3417564-5 | #7.5 | 65.04 |
| S/W | 3417548-9 | #7.5 | 71.87 |

EXHAUST, Cont'd.

SINGLE EXHAUST SYSTEM, Cont'd.

V8

| | | | | | |
|--------------------------|-------------------|-------------------|---------|--------|-------|
| Manifold, Exh. | w/318 Eng. | Rt. | 2843966 | .9 | 36.33 |
| | | Lt. | 2951915 | .8 | 35.58 |
| | w/383 Eng. * | Rt. | 3751072 | 1.0 | 38.93 |
| | | Lt. | 3751067 | .9 | 53.04 |
| | w/383 Eng. ** | Rt. | 3751069 | 1.0 | 38.93 |
| | | Lt. | 3751067 | .9 | 53.04 |
| Exhaust Pipe | * w/ 2 Bbl. Carb. | ** w/4 Bbl. Carb. | | | |
| | w/318 Eng. | | 2643506 | 1.0 | 21.44 |
| | w/383 Eng. | | 3404807 | 1.0 | 25.97 |
| Ext., Exh. Pipe | w/318 Eng. | | 2925643 | 1.0 | 9.37 |
| | w/383 Eng. | | 2925768 | 1.0 | 9.78 |
| Muffler | | | | | |
| w/318 Eng. Zinc Coated | | | 3726739 | .8 | 21.00 |
| Aluminized | | | 2781266 | .8 (D) | 22.50 |
| w/383 Eng. Zinc Coated | | | 2883912 | .8 | 22.50 |
| Aluminized | | | 2925771 | .8 | 27.10 |
| Tail Pipe | | | | | |
| w/318 Eng. Exc. S/W | | | 3404583 | .6 | 9.35 |
| S/W | | | 2643607 | .6 | 11.74 |
| w/383 Eng. Exc. S/W | | | 3404810 | .6 | 12.94 |
| S/W | | | 3404042 | .6 | 13.93 |
| Support w/Insul., T/Pipe | | | | | |
| Front | w/318 Eng. | | 2823458 | | 2.09 |
| w/383 Eng. | | | 2883873 | | 2.14 |
| Rear | Exc. S/W | | 3404846 | | 2.22 |
| S/W | | | 3404860 | | 3.68 |
| Clamp Pkg. | | | | | |
| Exh. Pipe to Ext. | w/318 Eng. | | 2883916 | | .69 |
| w/383 Eng. | | | 2883919 | | 1.08 |
| Ext. to Muffler | w/318 Eng. | | 1843008 | | .69 |
| w/383 Eng. | | | 1603364 | | 1.02 |
| T/Pipe Rr. Supt. | w/318 Eng. | | 2279897 | | .64 |
| w/383 Eng. | | | 2240312 | | .64 |

DUAL EXHAUST SYSTEM

V8

| | | | | | |
|------------------------------------|----------------|-----------|---------|--------|-------|
| Manifold, Exhaust | | | | | |
| w/383 Eng. w/2 Bbl. Carb. | Rt. | 3751072 | 1.1 | 38.93 | |
| | Lt. | 3751067 | 1.0 | 53.04 | |
| | w/4 Bbl. Carb. | Rt. | 3751069 | 1.1 | 38.93 |
| | Lt. | 3751067 | 1.0 | 53.04 | |
| w/426 Eng. | Rt. | 2780506 | 2.7 | 121.09 | |
| | Lt. | 3418452 | 2.4 | 101.78 | |
| w/440 Eng. | Rt. | 3751069 | 1.1 | 38.93 | |
| | Lt. | 3751067 | 1.0 | 53.04 | |
| Exhaust Pipe | w/383 Eng. | Rt. | 3404825 | .7 | 16.58 |
| | Lt. | 2883855 | .7 | 16.58 | |
| w/426 Eng. * | | 2781270 | .7 | 60.31 | |
| ** | | 2781278 | .7 | 10.21 | |
| w/440 Eng. * | | 3404802 | .7 | 56.87 | |
| * H Shaped. ** To Intake Manifold. | | | | | |
| Clamp, Intake Manif. Exh. Pipe | | | | | |
| w/426 Eng. | | 2781273 | | 1.08 | |
| Clamp Pkg., Exh. Pipe To Muffler | | | | | |
| w/383 Eng. | | 1603364 | | 1.02 | |
| w/426, 440 Eng. | | 2883919 | | 1.08 | |
| Muffler, Front | | | | | |
| w/383 Eng. | | | | | |
| w/Noise Reduction Pkg. | | | | | |
| Zinc Coated (2) | | 3583829 | .9 | 22.50 | |
| Aluminized | Rt. | 3466298 | .9 | 31.90 | |
| | Lt. | 3583827 | .9 | 28.25 | |
| w/o Noise Reduction Pkg. | | | | | |
| Zinc Coated (2) | | 2883912 | .9 | 22.50 | |
| Aluminized | Rt. | 2883910 | .9 | 29.80 | |
| | Lt. | 2883911 | .9 | 28.40 | |
| w/426-440 Eng. (2) Front | | 2781300 | .9 | 34.10 | |
| (2) Rear | | 2883923 | .9 | 27.75 | |
| Tail Pipe | | | | | |
| Exc. S/W | | | | | |
| w/383-440 Eng. | | | | | |
| w/o Decor Tips | Rt. | 3404810 | .6 | 12.94 | |
| | Lt. | 3404003 | .6 | 12.94 | |
| w/Decor. Tips | | 3404013-4 | .6 | 11.16 | |
| w/426 Eng. | | 3404011-2 | .6 | 8.51 | |
| w/440 Eng. w/3-2 Bbl. Carb. | | | | | |
| w/o Noise Red. Pkg. | Rt. | 3404810 | .6 | 12.94 | |
| | Lt. | 3404003 | .6 | 12.94 | |
| w/Noise Reduction Pkg. | | 3404011-2 | .6 | 8.51 | |
| S/W | | 3404002-4 | .6 | 20.43 | |

EXHAUST

Replace Exhaust System *
 6 Cyl. 1.0
 V8 Single 1.3, Dual 2.2
 *Includes R&R Clamps or
 Supports as Necessary.
 If Necessary to Cut Any Pipe
 Add .3



SINGLE EXHAUST SYSTEM
 6 CYL.

| | | | |
|----------------------------------|---------|-----|-------|
| Manifold, Exhaust | 2951841 | 2.7 | 39.74 |
| Exhaust Pipe | 3404897 | .9 | 16.19 |
| Clamp Pkg., Exh. Pipe to Muffler | 1843010 | | .58 |
| Muffler | | | |
| Zinc Coated | 2781264 | .8 | 22.50 |
| Aluminized | 2781263 | .8 | 25.00 |
| Tail Pipe | | | |
| All Exc. S/W | 3404582 | .6 | 9.28 |
| S/W | 2643597 | .6 | 10.91 |
| Support w/Insul., T/Pipe | | | |
| Front | 2823452 | | 2.09 |
| All exc. S/W | 3404846 | | 2.26 |
| S/W | 3404860 | | 3.68 |
| Pipe Rear Supt. | 2240311 | | .64 |

Cont'd.

Cont'd.

G-3

DODGE

CORONET & CHARGER 1970

EXHAUST, Cont'd.

DUAL EXHAUST SYSTEM, Cont'd.

V8

| | | | | |
|--------------------------------|-----------|----|-------|--|
| Support w/Insulator, Tail Pipe | | | | |
| Front | 2883873 | | 2.14 | |
| Rear exc. S/W | 3404846 | | 2.22 | |
| S/W | 3404860-1 | | 3.68 | |
| Extension, Tail Pipe | | | | |
| Exc. Charger | 2883829 | .4 | 13.32 | |
| Charger | 2883832 | .4 | 12.32 | |
| Support, Tail Pipe Extension | | | | |
| Exc. Charger | 2883845 | | 2.54 | |
| Charger | 2883914 | | 2.54 | |
| Clamp Pkg., T/Pipe Extension | 2883919 | | 1.08 | |


WINDSHIELD, Cont'd.

WIPER & WASHER PARTS, Cont'd.

| | | | | |
|--------------------------|-------------|----|--|-------|
| Arm (w/o Blade), Wiper | | | | |
| 2 Dr. Sed. & H. T. | 2822999 | | | 5.50 |
| 4 Drs. & Conv. | 2857903 | | | 5.50 |
| Pivot, Wiper (thru Cowl) | 2857920-1 | .5 | | 6.12 |
| Motor, Wiper | | | | |
| 2 Speed | 2770090 | # | | 59.98 |
| 3 Speed | 2983116 | # | | 57.78 |
| # 1.0 exc. w/A. C. 1.5 | | | | |
| Reservoir, Washer | 2889803 | .3 | | 3.95 |
| Pump, Washer | 2809013 | .3 | | 12.27 |
| Nozzle, Washer | (2) 2889888 | .2 | | 1.36 |

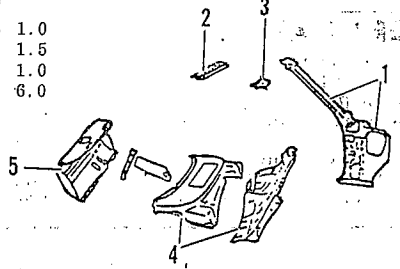
WINDSHIELD

Add to Glass R&R
To Check Opening .5



| | | | | |
|---|---------------|------------|-------|--|
| Glass, Windshield (Glass Co.) | | (Car Mfr.) | | |
| 2 Dr. Sed. & H. T. | | | | |
| Clear NAGS W715 | 2811265 | 2.0 | | |
| Tinted | Use 2811266 | | Use | |
| 4 Dr. Sed. & S/W | | | | |
| Clear NAGS W672 | Glass 2570295 | 2.0 | Glass | |
| Tinted | 2570598 | | | |
| Conv. | Price | | Price | |
| Clear NAGS W671 | 2570605 | 2.0 | | |
| Tinted | List 2570606 | | List | |
| Weatherstrip, Glass | | | | |
| 2 Dr. Sed. & H. T. | 2811263 | | 17.54 | |
| 4 Drs. | 2861217 | | 17.54 | |
| Conv. | 2842790 | | 16.89 | |
| Moulding, Outside | | | | |
| Upper | | | | |
| 2 Dr. Sed & H. T. | 2811259 | # | 4.53 | |
| 4 Drs. | 2584699 | # | 6.43 | |
| Conv. | 2586272-3 | # | 19.43 | |
| Side | | | | |
| 2 Dr. Sed. & H. T. | 2811260-1 | # | 2.50 | |
| 4 Drs. | 2585850-1 | # | 3.40 | |
| Conv. | 2586274-5 | # | 7.96 | |
| Lower | | | | |
| 2 Dr. Sed. & H. T. | 2811888-9 | # | 5.06 | |
| 4 Drs. & Conv. | 2585852-3 | # | 4.98 | |
| # One .5, All .8. | | | | |
| Moulding, Garnish | | | | |
| Upper | | | | |
| 2 Dr. Sed. & H. T. | 2811273 | | 4.92 | |
| 4 Drs. | 2570320 | | 4.92 | |
| Conv. | 2842205 | | 6.36 | |
| Upper Cor. Conv. | 2842742-3 | | 4.92 | |
| Side | | | | |
| 2 Dr. Sed. & H. T. | 3760-1DX9 | | 12.78 | |
| 4 Drs. | 3762-3DX9 | | 12.78 | |
| Conv. | 3794-5DX9 | | 6.49 | |
| Mirror, Inside Rear View | | | | |
| Prismatic | 3695130 | .2 | 10.99 | |
| Bracket & Shaft, Inside Mirror | | | | |
| Prime exc. Conv. | 3508984 | | 5.37 | |
| Chrome Conv. | 2945206 | | 7.38 | |
| Panel, Sun Visor (Black) * | | | | |
| exc. Conv. | 1112DX9 | .2 | 12.41 | |
| Conv. | 1109DX9 | .3 | 10.21 | |
| * For Colors Not Listed, Call Local Dealer. | | | | |
| Arm & Bracket, Visor | | | | |
| exc. Conv. | 2999670-1 | | 3.39 | |
| Conv. (Header Lock Catch) | 2842630-1 | | 12.93 | |

COWL and DASH



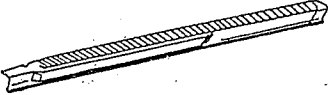
| | | | | |
|---|----------------------------|-------|-----|--------|
| Refinish Upper Panel exc. | 1.0 | | | |
| 2 Tone | 1.5 | | | |
| Pillar | 1.0 | | | |
| R&R Pillar w/Roof Rem. | 6.0 | | | |
| 1. Panel, Cowl Side (Includes Pillar) | | | | |
| 2 Dr. Sed. & H. T. | 3417952-3 | # | | 85.38 |
| 4 Drs. | 3417950-1 | # | | 85.38 |
| Conv. | 3417954-5 | # | | 85.38 |
| # R&R Complete w/Fender, Door & W/Shield Rem. | | | 8.0 | |
| Cut Below Belt w/Fender & Door Rem. | | | 5.6 | |
| Panel, Dash | 2934772 | | | 46.12 |
| 2. Frame, Windshield | | | | |
| Upper Outer Conv. | 2529827 | | | 12.00 |
| Upper Center | 2 Dr. Sed. & H. T. 2859162 | # 1.5 | | 19.36 |
| 4 Drs. | 2859001 | # 1.5 | | 18.89 |
| # w/Roof Removed. | | | | |
| 3. Extension, Upper Corner | | | | |
| 2 Dr. Sed. & H. T. | 2861932-3 | | | 4.10 |
| 4 Drs. | 2861930-1 | | | 3.30 |
| 4. Panel, Cowl Top & Chamber | 2934364 | # 8.0 | | 117.54 |
| # w/Doors, Fenders, W/S Glass, & Inst. Panel Cover Rem. | | | | |
| 5. Panel, Instrument | | | | |
| w/o A. C. | | | | |
| exc. | 2984286 | | | 92.81 |
| Charger, Super Bee | 2984290 | | | 88.19 |
| w/A. C. | | | | |
| exc. | 2984288 | | | 83.99 |
| Charger, Super Bee | 2984292 | | | 83.99 |
| Door, Glove Box | | | | |
| exc. w/Rallye Inst. Panel | 2984720 | .3 | | 4.10 |
| w/Rallye Inst. Panel | 2984721 | .3 | | 3.86 |
| Pad, Inst. Panel Trim (Black) * | | | | |
| Upper | 4203EX9 | 2.6 | | 49.60 |
| Lower Rt. | 4294FX9 | 1.2 | | 11.08 |
| Lt. w/o A. C. | 4296FX9 | 1.2 | | 16.28 |
| w/A. C. | 4295FX9 | 1.2 | | 15.55 |
| * For Colors Not Listed, Call Local Dealer. | | | | |

WIPER & WASHER PARTS

| | | | | |
|-----------------------|---------------|----|------|--|
| Blade w/Refill, Wiper | | | | |
| 2 Dr. Sed. & H. T. | Anco 2889962 | | 3.50 | |
| | Trico 2822990 | | 3.50 | |
| 4 Drs. & Conv. | 2822989 | | 3.50 | |
| Refill, Blade | | | | |
| 2 Dr. Sed. & H. T. | Anco 2771967 | .2 | 2.20 | |
| | Trico 2889964 | .2 | 2.20 | |
| 4 Drs. & Conv. | Anco 3431466 | .2 | 2.30 | |
| | Trico 2857904 | .2 | 2.30 | |

ROCKER PANEL

| | | | | |
|---|-----|--|-----|----|
| Refinish | 1.0 | | | |
| Cut & Splice under door(s) between pillars and within the flat section of door sill | | | | |
| One Door | 2.5 | | | |
| Both Doors & Center Pillar | 4.5 | | | |
| Inner Panel Time is w/Outer Panel Removed. | | | | |
| R&R Rocker Panel | | | | |
| a. w/Hinge Pillar Removed | | | | |
| 2 Drs. | 3.5 | | 4.5 | |
| b. w/Lock Pillar Removed | | | | |
| 2 Drs. | 3.5 | | 4.5 | |
| c. w/Both Pillars Removed | | | | |
| 2 Drs. | 2.5 | | 3.5 | |
| Time Does Not Include Remove Front Fender | | | | |
| Add to Rocker R&R w/Mldg. | | | | .5 |



Cont'd.

Cont'd.

CORONET & CHARGER 1970

DODGE

G-3

ROCKER PANEL, Cont'd.

| | | | | |
|-----------------------------|-------------|-----|-------|--|
| Panel, Rocker or Sill Outer | | | | |
| 2 Drs. | 2888282-3 | 4.5 | 29.79 | |
| 4 Dr. Sed. | 2840544-5 | 5.0 | 27.28 | |
| S/W | 2860160-1 | 5.0 | 34.63 | |
| Conv. (Complete) | 2859300-1 | 6.0 | 49.49 | |
| Panel, Rocker or Sill Inner | | | | |
| Front | 2842508-9 | 1.0 | 10.27 | |
| Rear | 2527112-3 | 1.0 | 4.85 | |
| Mldg. Pkg., Rocker or Sill | | | | |
| Cor. 500 4 Dr. Sed. | 2932150-1 | .5 | 14.59 | |
| 2 Drs. | 2932180-1 | .5 | 15.28 | |
| Charger 500, R/T | 2933914-5 | .5 | 14.44 | |
| Scuff Plate, Door Sill | | | | |
| 2 Drs. | (2) 2789608 | .2 | 7.04 | |
| 4 Drs. Front | (2) 2789604 | .2 | 6.20 | |
| Rear | 2789606-7 | .2 | 4.62 | |

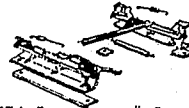
CENTER PILLAR

| | | | |
|-----------------------------|-----------|-----|-------|
| Refinish Complete | 1.0 | | |
| R&R Center Pillar | | | |
| w/Roof or Rocker Rem | 3.5 | | |
| w/Roof & Rocker Rem. | 2.0 | | |
| Pillar, Body Center | | | |
| 4 Drs. | 2859572-3 | 4.0 | 51.85 |
| Panel, Center Pillar Finish | 2860636-7 | .3 | 4.48 |



SEAT

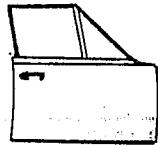
| | | | |
|------------------------------|-----------|-------|-------|
| Adjuster, Seat (Manual) | | | |
| w/Bench Seat | | | |
| 2 Drs. | 2935774-5 | #.6 | 14.54 |
| 4 Drs. | 2935778-9 | #.6 | 14.54 |
| w/Bucket or Split Seats | | | |
| Drivers Side | | | |
| Outer | 3454075 | #.6 | 12.53 |
| Inner | 3454071 | #.6 | 11.97 |
| Passengers Side | | | |
| Outer | 3454074 | #.6 | 11.97 |
| Inner | 3454070 | #.6 | 14.54 |
| # R&R Both on One Seat | .9 | | |
| Seat Belt, Front (Black) * | | | |
| Lap - Tip Half | | | |
| Exc. Conv. (2997574) | 4758-9FX9 | 11.48 | |
| (3508587) | 4787FX9 | 14.70 | |
| Conv. () | N.A. | N.A. | |
| Shoulder, Tip Half | | | |
| Exc. (2999566) | 4745FX9 | 9.84 | |
| 4 Dr. (2999566) | 4746FX9 | 9.09 | |
| Conv. (2999608) | 4735FX9 | 17.99 | |
| Lap - Buckle Half | | | |
| Conv. (3454756) | 4748FX9 | 13.44 | |
| Deluxe (3508584) | 4788FX9 | 12.25 | |
| Lap & Shoulder - Buckle Half | | | |
| Exc. Conv. (3454755) | 4752FX9 | 14.70 | |
| Center Lap Pkg. (2999596) | 4760FX9 | 15.44 | |



*For Colors Not Listed - Call Local Dealer.
NOTE: Number in Parentheses is Label I. D. Number.

FRONT DOOR

| | | | |
|--------------------------------|-----------|------|--------|
| Refinish O. S. | 2.0 | | |
| Jams, Add | .5 | | |
| Charger, Add | .5 | | |
| Add to Door or Outer Panel R&R | | | |
| w/Mirror-Standard | .4 | | |
| Remote-Control | .7 | | |
| w/Electric Lifts | .6 | | |
| to Drill for & Install | | | |
| one Moulding | .3 | | |
| Ea. Add'l. Moulding | .2 | | |
| for Stripe Tape | .6 | | |
| R&I Door Assembly | | | |
| 1.0 exc. w/Electric Lifts | 1.3 | | |
| R&I Trim Panel | .4 | | |
| SHEET METAL | | | |
| Shell, Door | | | |
| 2 Drs. exc. Charger | 2934462-3 | #3.5 | 183.83 |
| Charger | 3417740-1 | #3.6 | 175.58 |
| 4 Drs. | 2859056-7 | #3.5 | 174.65 |
| Panel, Outside Repair | | | |
| 2 Drs. exc. Charger | 2859072-3 | #4.5 | 58.77 |
| Charger | 2859078-9 | #4.5 | 58.77 |
| | 2811294-5 | #4.5 | 56.48 |



See Note Above for Additional Time

Cont'd.

FRONT DOOR, Cont'd.

MOULDINGS & TRIM

| | | | |
|--|-----------|---------------------------------|----------|
| Stripe Tape or Overlay Time Does | | | |
| Not Incl. Removal of Old Tape | | | |
| or Overlay | | | |
| | 8 | (Pkgs. Include Attaching Parts) | 8 |
| | | | |
| | | | |
| | | | |
| Moulding Pkg., Side | | | |
| 1. Deluxe 4 Drs. (2) | 2933836 | .3 | 4.54 |
| 2. 440 4 Drs. | 3481728-9 | .3 | 5.83 |
| 3. 500 4 Dr. Sed. | N.A. | .3 | N.A. |
| 4. 500 S/W Upper | 3481728-9 | .3 | 5.83 |
| 5. Lower | 3481734-5 | .3 | 6.41 |
| Optional - Vinyl (2) | | | |
| 2 Drs. | | | |
| Black | 3481759 | .3 | 9.29 |
| Citron Gold | 3549225 | .3 | (D) 7.05 |
| Green | 3549226 | .3 | 9.43 |
| Blue | 3549227 | .3 | 9.01 |
| 4 Drs. | | | |
| Black | 3481732 | .3 | 8.36 |
| Citron Gold | 3549233 | .3 | (D) 7.15 |
| Green | 3549235 | .3 | 8.86 |
| Blue | 3549236 | .3 | 8.86 |
| 6. Mldg. Pkg., Belt - 2 Drs. | | | |
| Sedan | 2932098-9 | .3 | 4.61 |
| Hardtop, Conv. exc. | 2932096-7 | >.3 | 5.36 |
| Charger | 2932094-5 | .3 | 7.65 |
| Mldg., Window Frame Opening | | | |
| 7. Front | 2570750-1 | # | 2.07 |
| 8. Upper | 2570752-3 | # | 2.21 |
| 9. Rear | 2570754-5 | # | 1.95 |
| # R&R One or All | .3 | | |
| 10. Overlay, Wood Grain (2) | | | |
| 500 S/W | 3444834 | # | 26.99 |
| # 1.5 w/Mldgs. Removed & After Painting. | | | |
| 11. Nameplate "R/T" (Charger) | 3445919 | .2 | 4.98 |
| Tape, Side Stripe (Charger R/T) | | | |
| 12. Front | | | |
| Red | 3444560-1 | #.4 | (D) 6.13 |
| White | 3444562-3 | #.4 | 6.42 |
| Black | 3444564-5 | #.4 | 6.42 |
| Blue | 3506224-5 | #.4 | 6.51 |
| Green | 3506226-7 | #.4 | (D) 6.22 |
| 13. Upper or Lower | | | |
| White | 3446612 | #.4 | 3.10 |
| Red | 3446613 | #.4 | 3.10 |
| Black | 3446614 | #.4 | 3.10 |
| Green | 3505952 | #.4 | 3.10 |
| Blue | 3505953 | #.4 | 3.10 |
| (#All .6) | | | |
| 14. Ornament, Side (Prime) | | | |
| Charger R/T | 3446060-1 | .7 | 18.69 |

Cont'd.

Repetitions Are Estimated Times.

G-3

DODGE

CORONET & CHARGER 1970

FRONT DOOR, Cont'd.

HARDWARE

| | | | | | |
|---|--------------------------|-----|-----------|--------|-------|
| Lock or Latch | 2 Drs. | Rt. | 2945780 | .6 | 18.45 |
| | | Lt. | 2999759 | .6 (D) | 8.70 |
| | 4 Drs. | Rt. | 2935004 | .6 | 16.70 |
| | | Lt. | 2999761 | .6 | 18.45 |
| Striker Plate, Lock | | | 2862426-7 | .2 | 3.10 |
| Cyl. & Keys, Door & Ignition | | | | | |
| exc. S/W | | | 2999444 | # | 9.76 |
| S/W (Incl. Tailgate) Manual | | | 2999445 | # | 11.35 |
| Electric | | | 2999446 | # | 11.35 |
| # R&R Each Door .5, Drs. & Ing. | 1.2, Drs., Ign. & T/Gate | | | 1.9 | |
| Handle, Outside | | | 3454390-1 | .4 | 8.64 |
| Handle, Inside Remote | | | 2935214-5 | .2 | 3.53 |
| Hinge, Upper | (2) | | 2298649 | .8 | 8.96 |
| Lower | | | 2583578-9 | .6 | 14.41 |
| Weatherstrip, Door (On Door) | | | | | |
| 2 Doors | | | 2860400-1 | .6 | 10.34 |
| 4 Doors | | | 2860492-3 | .6 | 14.67 |
| Mirror, Outside Rear View | | | | | |
| Standard | Rt. or Lt. | | 2802834 | # | 10.66 |
| | | | 2802869 | # | 14.75 |
| Remote Control (Left) | | | 3695508 | ## | 23.43 |
| * Matches L. H. Remote Control Mirror | | | | | |
| # R&R .2, Install .4, ## R&R .4, Install .7 | | | | | |

VENT GLASS & PARTS

| | | | | | |
|-----------------------------------|-------|-----------|-----|------------|-------|
| Glass, Vent * (Glass Co.) | | | | (Car Mfr.) | |
| 2 Dr. Sed. & H. T. | Use | | | Use | |
| Clear NAGS V4047-8 | | 2811358-9 | .7 | | |
| Tinted | Glass | 2811360-1 | | Glass | |
| 4 Drs. & Conv. | | | | | |
| Clear NAGS V3580-1 | Price | 3499106-7 | .7 | Price | |
| Tinted | List | 3499108-9 | | List | |
| * Includes Lower Pivot & Bracket. | | | | | |
| Weatherstrip, Vent Wing | | | | | |
| 2 Dr. Sed. & H. T. | | 2811306-7 | .9 | | 3.62 |
| 4 Drs. | | 2570784-5 | .9 | | 3.62 |
| Conv. | | 2570786-7 | .9 | | 3.62 |
| Frame w/Div. Channel, Vent | | | | | |
| 2 Dr. Sed. & H. T. | | 2811338-9 | 1.3 | | 32.36 |
| Conv. | | 3499110-1 | 1.3 | | 30.17 |
| Retainer w/Div. Channel, Vent | | | | | |
| 4 Drs. | | 3499112-3 | 1.3 | | 20.05 |
| Run, Div. Channel Glass | | | | | |
| 4 Drs. | (2) | 2570243 | | | 2.11 |
| Handle Pkg., Vent | | | | | |
| 2 Dr. Sed. & H. T. | | 2933204-5 | .2 | | 1.90 |
| 4 Drs. & Conv. | | 2809940-1 | .2 | | 1.90 |
| Pivot Pkg., Vent Upper | | | | | |
| 2 Dr. Sed. & H. T. | (2) | 2809961 | | | 4.16 |
| 4 Drs. & Conv. | | 2932436-7 | | | 2.82 |

DOOR GLASS & PARTS

| | | | | | |
|---------------------------------|-------|-----------|---------|------------|------|
| Glass, Door | | | | (Car Mfr.) | |
| 2 Dr. Sed. | | | | | |
| Clear NAGS D4260-1 | Use | 2895286-7 | 1.0 | Use | |
| Tinted | | 2895288-9 | | | |
| 2 Dr. H. T. * | | | | | |
| Clear NAGS D4258-9 | Glass | 3440424-5 | 1.1 | Glass | |
| Tinted | | 3440426-7 | | | |
| 4 Drs. | | | | | |
| Clear NAGS D3597-8 | Price | 2570240-1 | 1.0 | Price | |
| Tinted | List | 2570822-3 | | List | |
| Conv * | | | | | |
| Clear NAGS D4273-4 | | 2895298-9 | 1.1 (D) | | |
| Tinted | | 2895300-1 | | | |
| * Includes Rear Frame | | | | | |
| Run, Glass | | | | | |
| 4 Drs. | (2) | 2570244 | | | 4.39 |
| Run, Glass Rear | | | | | |
| 2 Dr. H. T. | | 3440422-3 | | | 2.39 |
| 4 Drs. | (2) | 2860398 | | | 2.06 |
| Conv. | (2) | 2861772 | | | 2.57 |
| Channel w/Brkt., Glass Run Rear | | | | | |
| 2 Dr. Sed. | | 3419134-5 | .8 | | 6.37 |
| 2 Dr. H. T. | | 3440418-9 | .8 | | 5.24 |
| Conv. | | 3419136-7 | .8 | | 5.49 |
| Channel, Glass Run Rear | | | | | |
| 4 Drs. | | 2570718-9 | .8 | | 4.61 |

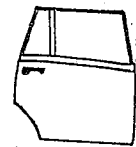
FRONT DOOR, Cont'd.

DOOR GLASS & PARTS, Cont'd.

| | | | | | |
|------------------------------|---------------------|-----|-----------|----------------------|-------|
| Bracket w/Guide, Glass Lift | | | | | |
| w/o Elect. Lift | (2) | | 2664256 | | 2.18 |
| w/Elect. Lift | | | 2588718-9 | | 2.18 |
| Weatherstrip, Glass Belt | | | | | |
| Outer | 2 Dr. Sed. | | 2860532-3 | #.3 | 1.87 |
| | 2 Dr. H. T. | | 2860524-5 | #.3 | 2.24 |
| | 4 Drs. | | 2860042 | #.3 (D) | 2.11 |
| | Conv. | | 2860046-7 | #.3 | 2.36 |
| Inner | 2 Dr. Sed. | | 2860530-1 | #.3 | 1.86 |
| | 2 Dr. H. T. exc. | | 2860522-3 | #.3 | 1.88 |
| | Charger | | 2876268-9 | #.3 | 4.74 |
| | 4 Drs. | (2) | 2570238 | #.3 | 1.74 |
| | Conv. | | 3439152-3 | #.3 | 2.64 |
| | | | | #.2 w/Glass Removed. | |
| Regulator, Window | | | | | |
| Manual | 2 Drs. | | 2802800-1 | .9 | 18.80 |
| | 4 Drs. | | 2802800 | .7 | 18.80 |
| | | | 2802801 | .7 | 18.80 |
| Electric | 2 Dr. H. T. & Conv. | | 2999682-3 | 1.0 | 20.57 |
| Handle, Regulator | | | 2862167 | .2 | 4.56 |
| Motor w/Mechanism, Regulator | | | | | |
| | 2 Dr. H. T. & Conv. | | 2999326-7 | 1.1 | 54.29 |

REAR DOOR

| | |
|--------------------------------|-----|
| Refinish O. S. | 2.0 |
| Jams, Add | .5 |
| Add to Door or Outer Panel R&R | |
| to Drill for & Install | |
| one Moulding | .3 |
| Ea. Add'l. Moulding | .2 |
| R&I Door Assembly | .8 |
| R&I Trim Panel | .4 |



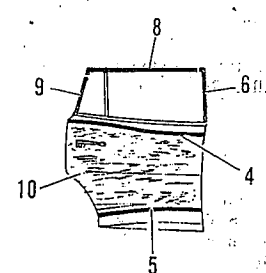
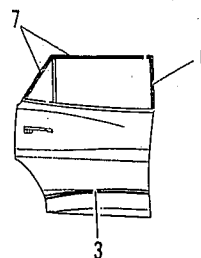
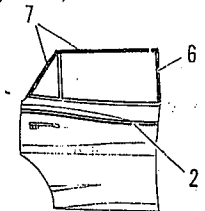
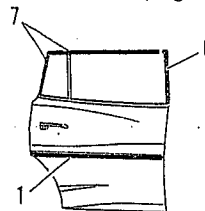
SHEET METAL

| | | | | | |
|---------------------|--|-----------|------|--|--------|
| Shell, Door | | | | | |
| 4 Dr. Sedan | | 2859080-1 | #3.2 | | 182.86 |
| Station Wagon | | 2859094-5 | #3.2 | | 182.86 |
| Panel, Outer Repair | | | | | |
| 4 Dr. Sedan | | 2811372-3 | #4.5 | | 58.77 |
| Station Wagon | | 2811794-5 | #4.5 | | 58.82 |

See Note Above for Additional Time

MOULDINGS & TRIM

Stripe Tape or Overlay Time Does Not Incl. Removal of Old Tape or Overlay (Pkgs. Include Attaching Parts)



Moulding Pkg., Side

| | | | | | |
|--------|------------|-----|-----------|----|------|
| Deluxe | 4 Dr. Sed. | (2) | 3549230 | .3 | 4.54 |
| | S/W | (2) | 3549231 | .3 | 4.54 |
| 440 | 4 Dr. Sed. | | 3481730-1 | .3 | 5.26 |
| | S/W | | 3481738-9 | .3 | 4.97 |
| 500 | 4 Dr. Sed. | | N. A. | | |
| | S/W Upper | | 3481738-9 | .3 | 4.97 |
| | Lower | | 3481740-1 | .3 | 6.06 |

Cont'd.

Cont'd.

CORONET & CHARGER 1970

DODGE

G-3

REAR DOOR, Cont'd.

MOULDINGS & TRIM, Cont'd.

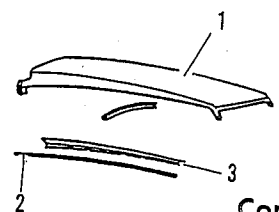
Table listing optional vinyl, mouldings, and hardware for the rear door. Includes items like 'Optional - Vinyl (2) 4 Dr. Sed.', 'Moulding, Window Frame Opening', and 'Hardware' such as 'Lock or Latch' and 'Striker Plate'.

DOOR GLASS & PARTS

Table listing door glass and parts. Includes 'Glass, Door (Glass Co.) (Car Mfr.)', 'Bracket w/Guide, Glass Lift (2)', 'Weatherstrip, Stationary Glass', and 'Regulator, Window (Manual)'.

ROOF

Table listing roof parts and labor. Includes 'Refinish Roof', 'R&R Headliner', 'Sectional Type (S/W)', and 'Raj'.



Cont'd.

ROOF, Cont'd.

SHEET METAL

Table listing sheet metal parts for the roof. Includes '1. Panel, Roof (w/Drain Trough)', '2. Trough, Roof Side Drain', '3. Rail, Roof Side Outer', and 'Header, Roof Rear (S/W)'.

MOULDINGS & TRIM

Table listing mouldings and trim parts. Includes 'Moulding, Side Drain Trough', 'Mldg., Front Pillar Drain Trough', and 'Cover, Vinyl Roof (Black)*'.

Cont'd.

Estimated Times. All Labor Operations Are Mitchell Estimated Times.

G-3

DODGE

CORONET & CHARGER 1970

ROOF, Cont'd.

LUGGAGE RACK PARTS (S.W.)

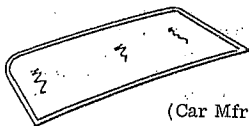
| | | | | |
|---------------------------------------|----------|-------------|-----|-------|
| Factory Installed Type | | | | |
| R&R | | 1.0 | | |
| Install Including Drilling | | 2.0 | | |
| Luggage Rack Pkg.* | | 2932073 | (D) | 57.65 |
| *Complete Pkg. for Field Installation | | | | |
| Rail | Front | 2602651 | | 6.84 |
| | Side (2) | 2602647 | | 13.50 |
| | Rear | 2602651 | | 6.53 |
| Crossmember | | (4) 2602652 | | 5.29 |
| Bracket, Rail | | (4) 2528454 | | 1.97 |
| End Cap, Side Rail | Front | 2602649-8 | | 3.49 |
| | Rear | 2602648-9 | | 3.49 |
| Pad, Crossmember | | (4) 2602656 | | .97 |
| Pad, Side Rail | | (2) 2602655 | | 1.84 |
| Thumb Screw | | (2) 6028787 | | 2.18 |

BACK WINDOW

Order Installation Materials as required

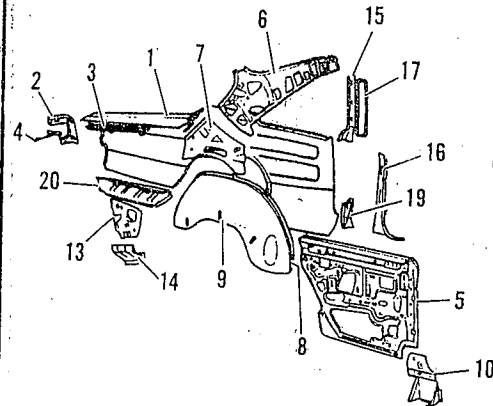
| | | | | |
|-----------------------|-------------|---------|------------|-------|
| Glass, Back Window * | (Glass Co.) | | (Car Mfr.) | |
| 2 Drs. exc. Charger | | | | |
| Clear NAGS B4052 | Use | 2842344 | 2.0 | Use |
| Tinted | | 2842345 | | |
| 2 Dr. H. T. (Charger) | Glass | | | Glass |
| Clear NAGS B4051 | Price | 2838130 | 2.4 | Price |
| Tinted | | 2838131 | | |
| 4 Dr. Sed. | | | | |
| Clear NAGS B4061 | List | 2838663 | 2.0 | List |
| Tinted | | 2838664 | | |

| | | | | |
|--|--------------|-----------|---|------|
| * Cemented - In Type. | | | | |
| Installation Materials Use as Required | | | | |
| Midg. Pkg., Outside | | | | |
| 2 Drs. exc. | Upper & Side | 3004390-1 | # | 5.98 |
| | Lower | 3004392-3 | # | 4.92 |
| Charger | Upper | 2932220-1 | # | 7.19 |
| | Lower | 2932217 | # | 4.85 |
| | Corner | 2932218-9 | # | 2.94 |
| 4 Dr. Sed. | Upper | 3419479 | # | 5.52 |
| | Lower & Side | 3419480-1 | # | 6.95 |
| | Corner | 3004384-5 | # | 3.39 |
| # One .5, All .8. | | | | |

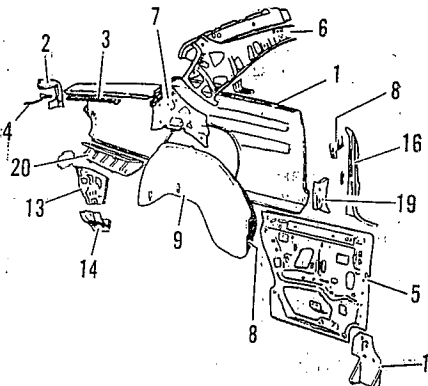


QUARTER PANEL, Cont'd.

Exc. STATION WAGON, Cont'd.



2 DOOR SEDAN



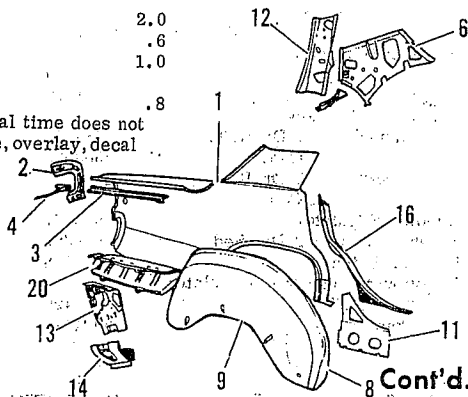
2 DOOR H. T.

QUARTER PANEL

Exc. STATION WAGON

| | | | | |
|---------------------------------------|--------|-------|--------|-------|
| Refinish O.S. | 2 Drs. | 3.0 | 4 Drs. | 2.4 |
| Pillar, Add | | | | .3 |
| Inner Panel Time is w/Outer Removed | | | | |
| R&I Trim Panel | | | | .5 |
| R&R Quarter w/Roof Removed | | | | |
| | 2 Drs. | 12.5 | 4 Drs. | 10.0 |
| Cut at Belt Line & Around Back Window | | | | |
| | 2 Drs. | #13.5 | 4 Drs. | #12.5 |
| # Charger 2 Dr. H. T. - Cut Along | | | | |
| Belt Line to Deck Opening | | | | 14.0 |
| Add to Quarter R&R | | | | |
| to Drill for & Install | | | | |
| - one Moulding | | | | .4 |
| Ea. Add'l. Moulding | | | | .2 |
| Nameplate | | | | .2 |
| w/Electric Lifts | | | | .3 |
| w/Vinyl Roof Cover | | | | |
| 1.5 exc. 2 Dr. H. T. | | 2.0 | | |
| for Stripe Tape | | | | .6 |
| exc. Super Bee | | | | 1.0 |
| Charger - Lt. Side | | | | |
| for Gas Neck & Cap | | | | .8 |

4 DOOR SEDAN



Cont'd.

SHEET METAL

| | | | | |
|---|-------------------|-------|--------|--|
| 1. Panel, Outside Repair | | | | |
| 2 Drs. exc. | 2963728-9 | #15.5 | 153.27 | |
| Charger | 3445304-5 | #16.0 | 153.27 | |
| Conv. | 2963730-1 | #13.0 | 153.27 | |
| 4 Dr. Sedan | 2963732-3 | #14.0 | 117.98 | |
| # See Note Above for Additional Time | | | | |
| 2. Extension, Outside Panel End | | | | |
| 2 Drs. exc. | 2963522-3 | # | 13.82 | |
| Charger | Upper 2841516-7 | .3 | 7.23 | |
| | * Lower 2838008-9 | | 9.76 | |
| 4 Dr. Sed. | 2963516-7 | # | 13.82 | |
| # 1.0 exc. w/Rear Bumper & Tail Lamp Removed | | | | |
| * Not Illustrated. | | | | |
| Trough, Deck Drain | | | | |
| 3. Side exc. | 2841302-3 | # 1.0 | 6.58 | |
| Charger | 2838010-1 | # 1.0 | 5.75 | |
| Conv. | 2839612-3 | # 1.0 | 5.66 | |
| 4. Lower Corner exc. Charger | 2963596-7 | # 1.2 | 5.72 | |
| # R&R Sides & Lower Corner 1.7, exc. w/Qtr. Rem. 1.0. | | | | |
| Panel, Inner | | | | |
| 5. Front Lower | | | | |
| 2 Drs. exc. | 3445456-7 | 1.5 | 12.69 | |
| Conv. | 2838236-7 | 1.5 | 12.69 | |
| 6. Rear Upper | | | | |
| * 2 Dr. Sed. & H. T. | | | | |
| exc. | 3505322-3 | 1.5 | 14.72 | |
| Charger | 2842776-7 | 1.5 | 21.02 | |
| w/Nut | 2842776-7 | 1.5 | 21.02 | |
| 4 Dr. Sed. | 2842798-9 | 1.5 | 10.24 | |
| 7. Rear Lower | | | | |
| 2 Dr. Sed. & H. T. | | | | |
| exc. | 2838326-7 | 1.5 | 5.48 | |
| Charger | 2840372-3 | 1.5 | 13.66 | |
| 4 Dr. Sed. * | 2838322-3 | 1.5 | 7.58 | |

* Not Illustrated.

Cont'd.

CORONET & CHARGER 1970

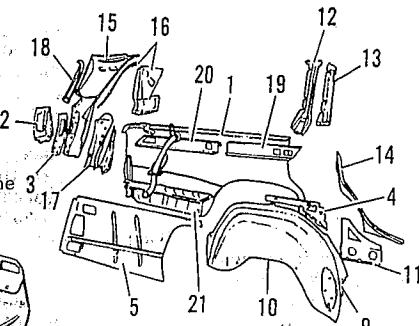
DODGE

G-3

| QUARTER PANEL, Cont'd. | | | |
|-----------------------------|--|------------------------------|-------------|
| Exc. STATION WAGON, Cont'd. | | | |
| 8. | Panel, Wheelhouse Outer | 2 Drs. exc. 2838870-1 | # 2.5 23.37 |
| | | Conv. 2838218-9 | # 2.5 23.37 |
| | | 4 Dr. Sed. 2838330-1 | # 2.0 18.87 |
| 9. | Inner exc. | 2841906-7 | # 2.0 22.15 |
| | Conv. | 2841908-9 | # 2.0 22.15 |
| | Cap, Wheelhouse Panel (Conv.) | 2782374-5 | # 1.5 8.96 |
| | # R&R All 4.0. | | |
| 10. | Plate, Inner Panel To Sill | | |
| | 2 Drs. exc. | 2838286-7 | 2.80 |
| | Conv. | 2839960-1 | 3.39 |
| 11. | Plate, W/Hse. To Sill. | | |
| | 4 Dr. Sed. | 3446364-5 | 3.72 |
| 12. | Support, W/Hse. To Qtr. Panel | | |
| | 4 Dr. Sed. | 2838476-7 | 2.81 |
| | Bar, Belt Side (Conv.) | 2841048-9 | 18.34 |
| 13. | Support, Deck Lid Hinge | | |
| | Upper | 2 Dr. Sed. & H. T. 3446640-1 | 3.92 |
| | | 4 Dr. Sed. 3446642-3 | 3.92 |
| | | Conv. 2841380-1 | 4.33 |
| 14. | Lower exc. Conv. * | 2838482-3 | 2.53 |
| | Conv. (2) | 2841848 | 2.25 |
| | * Also exc. Charger. | | |
| 15. | Pillar, Rear Body Lock | | |
| | Upper | 2 Dr. Sed. (Only) 2838398-9 | # 8.03 |
| 16. | Lower | 2 Dr. Sed. 2838722-3 | ## 17.76 |
| | | 2 Dr. H. T. Exc. 2838786-7 | ## 16.96 |
| | | Charger 2838024-5 | ## 16.96 |
| | | 4 Dr. Sed. 2838406-7 | ## 16.96 |
| | | Conv. 2840284-5 | ## 16.96 |
| | # 3.5 exc. w/Lower Pillar Removed 1.5. | | |
| | ## 5.0 exc. w/Quarter Removed. 3.0. | | |
| | Reinf., Lock Pillar | | |
| | Upper | | |
| 17. | 2 Dr. Sed. | 2838726-7 | 2.11 |
| 18. | 2 Dr. H. T. & Conv. exc. | 2842822-3 | 1.58 |
| | Charger | 2842824-5 | 1.58 |
| | 2 Dr. H. T. & Conv. (at-Belt) | 2603722-3 | 2.45 |
| 19. | Lower exc. 4 Dr. Sed. | 2529564-5 | 1.94 |
| 20. | Extension, To Rear Floor Side | | |
| | exc. Charger | 2839544-5 | 18.84 |
| | Charger | 2838002-3 | 10.33 |

STATION WAGON

- Refinish O. S. 2.7
- Pillar, Add .3
- Inner Panel Time is w/Outer Panel Removed
- R&I Trim Panel .5
- R&R Wheelhouse Cover Rt. .5, Lt. 1.0
- Add to Quarter R&R to Drill for & Install one Moulding .4
- Ea. Add'l. Moulding .2
- Nameplate .2
- Stripe tape, overlay, decal time does not incl. removal of old stripe tape, overlay or decal.



SHEET METAL

| | | | |
|----|--------------------------------------|--------------|--------------|
| 1. | Panel, Outside Repair | 3439186-7 | #12.5 117.98 |
| | # See Note Above for Additional Time | | |
| 2. | Extension Outside Panel End Rt. | 2895342 | # 15.64 |
| | Lt. | 3440925 | # 15.64 |
| | # 1.0 Includes R&R Tail Lamp | | |
| | Extension, Qtr. Panel End | | |
| | Rear Upper | 2860190-1 | #1.5 11.45 |
| | # w/Outer Panel Removed | | |
| 3. | Reinf., End Extension Opening | 3439262-3 | 6.42 |
| | Panel, Inner | | |
| | Front | 2861678-9 | 4.36 |
| 5. | Center Rt. | 2895230 | 6.54 |
| | Rear Rt. | 2811756 | 2.55 |
| 6. | Panel, Inside Wheel Well | Rt.* 2811750 | 12.70 |

Cont'd.

| QUARTER PANEL, Cont'd. | | | |
|------------------------|-----------------------------------|-----------------|--------------|
| SHEET METAL, Cont'd. | | | |
| 7. | Panel, Spare Tire Housing | | |
| | Inner | 2602177 | 8.45 |
| 8. | Lower | 2811984 | 13.06 |
| | Panel, Wheelhouse | | |
| 9. | Outer | 2811498-9 | 2.5 34.03 |
| 10. | Inner | 2860430-1 | 2.0 18.24 |
| 11. | Plate, W/Hse. To Sill Tie | 3446364-5 | 3.72 |
| | Pillar, Rear Body Lock | | |
| 12. | Upper Outer | 2811748-9 | 8.56 |
| 13. | Inner | 2811746-7 | 5.41 |
| | Lower | 2811744-5 | # 17.76 |
| | # 5.0 exc. w/Quarter Removed 3.0. | | |
| | Pillar, Tailgate | | |
| 15. | Outer | 2859548-9 | 3.5 14.19 |
| 16. | Inner Upper | 2860092-3 | 1.0 6.35 |
| | Lower Left | 2860486 | 1.83 |
| 17. | Lower Inner Lock | 2859440-2811495 | 1.5 (D) 9.34 |
| | Channel w/Brkt., Glass Run Lower | | |
| 18. | Lower Complete | 2860814-5 | 5.22 |
| | Ret. Inner & Outer | 3439308-9 | 4.48 |
| | Belt Bar, Quarter Panel | | |
| 19. | Front | 2811758-9 | 5.80 |
| 20. | Rear | 2811760-1 | 7.98 |
| 21. | Extension, To Rear Floor Side | 2860142-3 | 9.09 |

QTR. GLASS & PARTS

| Glass, Quarter Window (Glass Co.) | | (Car Mfr.) | |
|-----------------------------------|---------------------------|------------|---------------|
| 2 Dr. Sed. | | | |
| Clear NAGS Q4055-6 | Use | 2840708-9 | 1.2 Use |
| Tinted | | 2840710-1 | (D) |
| 2 Dr. H. T. | | | |
| Clear NAGS Q4049-50 | Glass | 2838438-9 | 1.2 Glass |
| Tinted | | 2838440-1 | |
| Conv. * | | | |
| Clear NAGS Q3590-1 | Price | 2603700-1 | 1.2 Price |
| Tinted | | 2603702-3 | |
| S/W | | | |
| Clear NAGS Q4064-5 | List | 2811774-5 | 1.3 List |
| Tinted | | 2811776-7 | |
| | * Complete # Charger .7. | | |
| Frame, Glass Lower (w/Caps) | | | |
| 2 Dr. H. T. | | 2840944-5 | 16.27 |
| Track, Glass Roller | | | |
| 2 Dr. H. T. Front | | 2784170-1 | .9 3.39 |
| Rear | | 2839684 | .9 4.62 |
| Conv. | | 2603490-1 | .9 3.47 |
| Weatherstrip, Glass Front | | | |
| 2 Dr. Sed. & H. T. | | 2932230 | 4.16 |
| Weatherstrip, Glass Front Frame | | | |
| Conv. | | 2782560-1 | 3.78 |
| Weatherstrip, Glass Belt | | | |
| Outer 2 Dr. H. T. exc. | | 2840348-9 | #.3 3.26 |
| Charger | | 2838086-7 | #.3 3.78 |
| Conv. | | 2841626-7 | #.3 2.49 |
| Inner 2 Dr. H. T. exc. | | 2840346-7 | #.3 2.26 |
| Charger w/o Valve Pkg. | | 2876270-1 | #.3 2.79 |
| w/Valve Pkg. | | 2838516-7 | #.3 2.54 |
| Charger R/T | | 2876270-1 | #.3 2.79 |
| | # R&R w/Glass Removed .2. | | |
| Weatherstrip, Glass | | | |
| 2 Dr. Sed. | | 2840670-1 | 7.36 |
| S/W | | 2811772-3 | 10.82 |
| Regulator, Window | | | |
| Manual 2 Dr. H. T. | | 2583030-1 | .8 13.97 |
| Conv. | | 2583032-3 | 1.2 15.35 |
| Electric 2 Dr. H. T. | | 2583764-5 | .8 15.75 |
| Conv. | | 2583854 | 1.2 (D) 19.14 |
| Handle, Regulator | | 2862167 | .2 4.56 |
| Latch, Glass 2 Dr. Sed. | | 3620495 | 5.16 |
| Handle, Latch | | 2842538 | 1.94 |
| Motor w/Mechanism, Regulator | | | |
| 2 Dr. H. T. | | 3004126-5 | .8 52.70 |
| Conv. | | 3004124-5 | 1.2 52.70 |

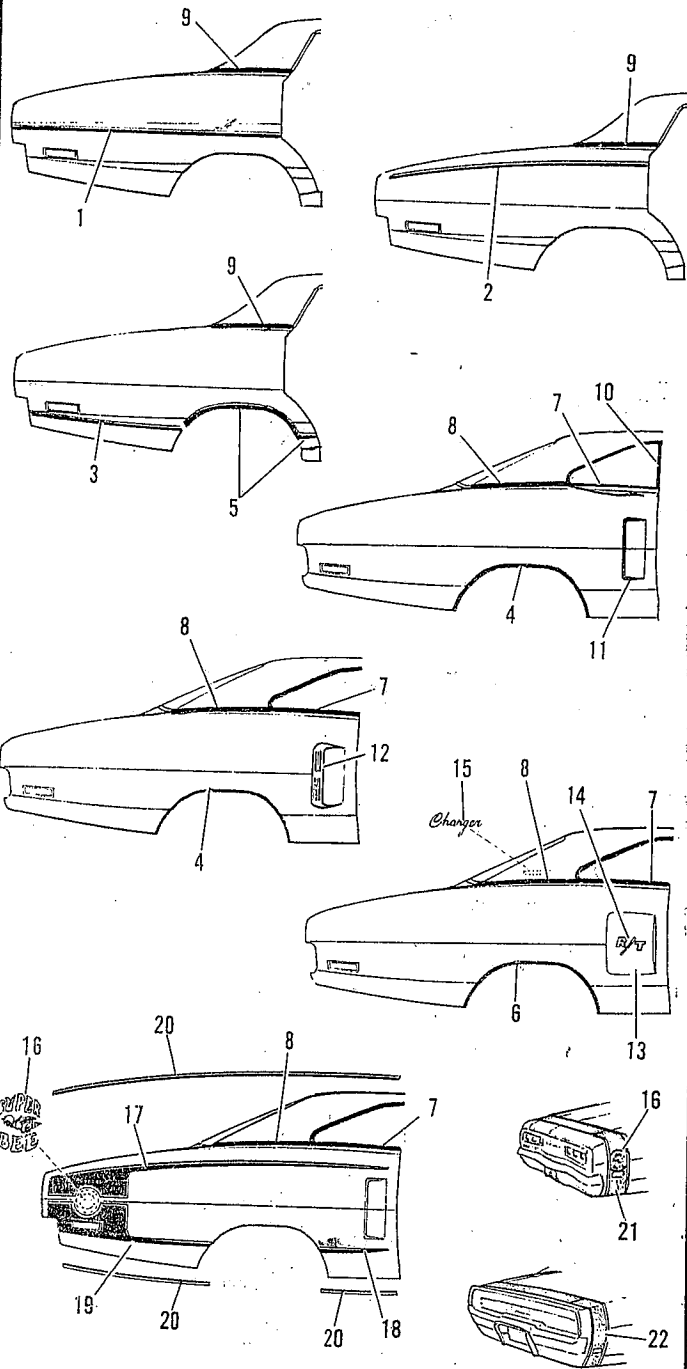
G-3

DODGE

CORONET & CHARGER 1970

QTR. MOULDING

(Pkgs. Include Attaching Parts)
Exc. STATION WAGON



Moulding Pkg., Side

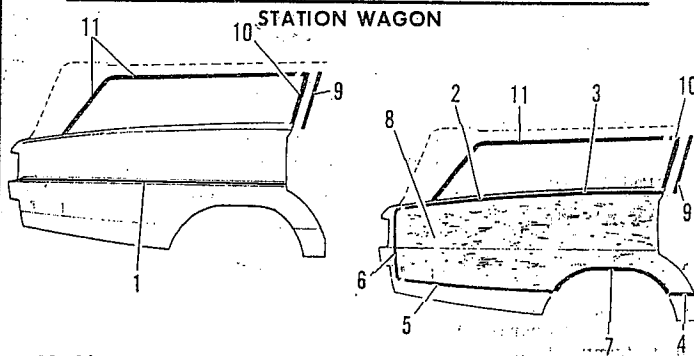
| | | | | | | |
|------------------|------------|-------------|-----|-----------|--------|-------|
| 1. | Deluxe | 4 Dr. Sed. | (2) | 2933871 | .3 | 6.26 |
| 2. | 440 | 4 Dr. Sed. | | 3481756-7 | .3 | 8.93 |
| 3. | 500 | 4 Dr. Sed. | | N. A. | .3 | N. A. |
| Optional - Vinyl | | | | | | |
| | 2 Drs. | Black | | 3481764-5 | .3 | 15.78 |
| | | Citron Gold | | 3549602-3 | .3 (D) | 11.90 |
| | | Green | | 3549604-5 | .3 | 14.38 |
| | | Blue | | 3549606-7 | .3 | 15.06 |
| | 4 Dr. Sed. | Black | | 3481762-3 | .3 | 10.22 |
| | | Citron Gold | | 3549244-5 | .3 (D) | 8.40 |
| | | Green | | 3549246-7 | .3 | 10.94 |
| | | Blue | | 3549248-9 | .3 | 10.94 |

Cont'd.

QTR. MOULDING, Cont'd.

Exc. STATION WAGON, Cont'd.

| | | | | | | |
|---|-----------|--------|-------|--|--|--|
| Mldg. Pkg., Wheel Opening | | | | | | |
| 4. Exc. | 2840092-3 | .3 | 9.46 | | | |
| 5. 500 4 Dr. Sed. | 2840732-3 | .3 | 10.33 | | | |
| 6. Charger 500 & R/T | 2840060-1 | .3 | 6.69 | | | |
| 7. Mldg. Pkg., Belt (Below Glass) | | | | | | |
| 2 Dr. Sed. | 2932106-7 | .3 | 12.25 | | | |
| 2 Dr. H. T. exc. | 2932108-9 | .3 (D) | 15.16 | | | |
| Conv. * Charger 500 & R/T | 2932104-5 | .3 | 15.75 | | | |
| | 2932190-1 | .3 | 5.79 | | | |
| 8. Moulding Pkg., Belt | | | | | | |
| 2 Drs. exc. | 2932118-9 | .3 | 3.92 | | | |
| Charger 500 & R/T | 2932100-1 | .3 | 5.11 | | | |
| Conv. * Inter. | 2932192-3 | .3 | 4.20 | | | |
| Rear | 2932188-9 | .3 (D) | 7.65 | | | |
| Rear Corner | 2932186-7 | .3 | 7.05 | | | |
| | 2932130-1 | .3 | 6.40 | | | |
| 9. 4 Dr. Sed. | | | | | | |
| Mldg. Pkg., Outer Belt To R/Window * | | | | | | |
| Charger 500 & R/T | 2840886-7 | | 7.57 | | | |
| * Not Illustrated. | | | | | | |
| 10. Mldg., Lock Pillar Upper | | | | | | |
| 2 Dr. Sed. | 2840894-5 | .3 | 4.85 | | | |
| Mldg., Window Upper Outer | | | | | | |
| 2 Dr. Sed. | 2841362-3 | | 3.11 | | | |
| Ornament (Louver), Side | | | | | | |
| 11. 440 | 3444770-1 | .6 | 12.41 | | | |
| 12. 500 | 3444950-1 | .6 | 13.32 | | | |
| 13. Coronet R/T | 3446052-3 | .6 | 16.27 | | | |
| Nameplate, Side | | | | | | |
| 14. "R/T" (Coronet) | 3445919 | .3 | 4.98 | | | |
| 15. "Charger" (At Roof) | 2841886 | .3 | 2.82 | | | |
| 16. Decal, Side | | | | | | |
| "Super Bee" White | 2842952-3 | .2 | 6.65 | | | |
| Black | 2842940-1 | .2 | 6.65 | | | |
| Tape, Side Stripe (Black) * | | | | | | |
| 17. Super Bee Upper | 3445278-9 | # .6 | 39.57 | | | |
| 18. Lower Front | 3445298-9 | # .4 | 4.53 | | | |
| 19. Lower Rear | 3445288-9 | # .5 | 6.82 | | | |
| 20. Charger R/T Upper & Lower ** | 3446614 | | 3.10 | | | |
| ** Use As Required. # All 1.0. | | | | | | |
| Tape, Side Transverse Stripe (Black) * | | | | | | |
| 21. Super Bee | 3446010-1 | .6 | 16.27 | | | |
| 22. Coronet R/T | 3446016-7 | .6 | 8.85 | | | |
| Charger R/T | 3445998-9 | .6 | 11.27 | | | |
| * For Colors Not Listed, Call Local Dealer. | | | | | | |



Moulding Pkg., Side

| | | | | |
|--|--------|-------------|--------|-------|
| 1. Deluxe | (2) | 3481758 | .3 | 6.34 |
| 2. 440 | | 3481756-7 | .3 | 8.93 |
| 3. 500 | | 3481754-5 | #.3 | 7.71 |
| 4. Upper | | 3481744-5 | #.3 | 4.25 |
| 5. Lower Front | | 3481746-7 | #.3 | 6.56 |
| 6. Lower Rear | | 3514054-5 | | 5.70 |
| Rear Joint | | 3481760-1 | .3 | 10.22 |
| Optional - Vinyl | | Citron Gold | .3 (D) | 9.55 |
| | | Green | .3 | 11.60 |
| | | Blue | .3 | 11.08 |
| # All .5. | | | | |
| 7. Mldg. Pkg., Wheel Opening | | 3481752-3 | .3 | 6.75 |
| 8. Overlay, Wood Grain | (2) | 3444834 | # | 26.99 |
| # 1.5 w/Mldgs. Removed & After Painting. | | | | |
| 9. Mldg., Lock Pillar Upper | | 2860638-9 | .3 | 3.62 |
| Mldg., Window Outer | | | | |
| 10. Front | Prime | 2811764-5 | (D) | 1.52 |
| | Chrome | 2860868-9 | | 3.84 |
| 11. Upper | Prime | 2811766-7 | (D) | 2.98 |
| | Chrome | 2860866-7 | | 8.40 |

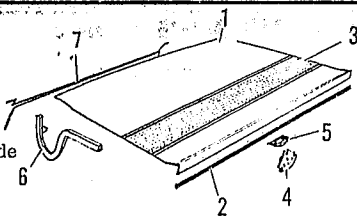
CORONET & CHARGER 1970

DODGE

G-3

LUGGAGE LID

Refinish Lid 2.5
Add to R&R
to Drill for Letter Set .2
to Drill for Each Mldg. .2
for Stripes .8
Stripe tape time does not include removal of old stripe tape.



| | | | |
|---|-----------|-----|--------|
| 1. Lid, Deck Early Type* Exc. | 2934958 | 1.0 | 169.78 |
| Charger | 3482627 | 1.0 | 161.65 |
| Late Type** Exc. | 3482624 | 1.0 | 161.65 |
| Charger | 3482627 | | 161.65 |
| *w/o Spoiler **w/ or w/o Spoiler. | | | |
| Spoiler w/Stanchions | 3570208 | | 79.88 |
| Mtg. Pkg., Spoiler (Field Inst.) | | | |
| Exc. Charger | 3579061 | | 11.57 |
| Charger | 3579062 | | 12.11 |
| Brkt., Lid Inner Splr. Mtg. Exc. | 3506478-9 | (D) | 3.97 |
| Charger | 3506476-7 | | 3.62 |
| Gasket, Stanchion Mrg. Exc. | 3506488-9 | | 1.07 |
| Charger | 3506490-1 | | 1.07 |
| 2. Mldg. Pkg., Rear Edge | | | |
| 500, Coronet R/T | 3481766 | .3 | 7.63 |
| 3. Tape, Transverse Stripe (Black) * | 3446003 | .8 | 19.22 |
| Super Bee, Coronet R/T | 3446000 | .8 | 21.59 |
| * For Colors Not Listed, Call Local Dealer. | | | |
| 4. Lock or Latch | | | |
| w/o Power Release | 2167260 | .3 | 8.04 |
| w/Power Release Partial | 2428275 | .4 | 6.95 |
| Complete | 2520735 | .6 | 10.17 |
| 5. Striker Plate, Lock | 2244149 | .3 | 1.14 |
| Cyl. & Keys, Lock (w/Glove Box) | 3419955 | # | 8.66 |
| # R&R Each .3. | | | |
| 6. Hinge, Lid exc. | 3446520-1 | # | 7.19 |
| Charger | 2842708 | # | 7.09 |
| # .7 exc. w/Lid Removed .4. | | | |
| 7. Torsion Bar, Hinge | | | |
| Exc. | 3445980-1 | .3 | 4.13 |
| Charger | 2842712-3 | .3 | 2.94 |
| | 3569016-7 | .3 | 2.81 |
| Conv. | 3445982-3 | .3 | 4.56 |
| Weatherstrip, Lid | 3616754 | .7 | 10.51 |
| Charger | 3616754 | .7 | 10.51 |
| Support, Striker | 2965549 | | 4.45 |
| Charger | 2902969 | | 4.24 |

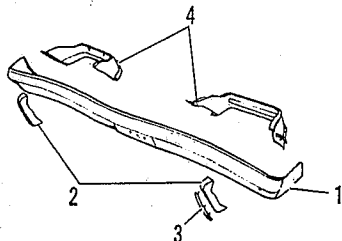
DECK LID LUGGAGE RACK - CHARGER

| | | | |
|-----------------------------------|-------------|--|-------|
| Luggage Rack Pkg. (Comp.) | 3419382 | | 41.91 |
| Tube & Insert | | | |
| Front | 2842893 | | 13.44 |
| Inter. | 2842895 | | 5.15 |
| Rear | 2842894 | | 8.85 |
| Support, Inter. Tube to Rear Tube | 2842896 | | 2.11 |
| Tip, Inter. Tube | (6) 2842901 | | 1.14 |
| Adapter Plate | (6) 2842898 | | 1.59 |
| Support, Mounting | | | |
| Front | (2) 2842899 | | 3.92 |
| Rear | (2) 2842900 | | 3.73 |
| Pad, Support | (6) 2842897 | | .52 |

REAR BUMPER

Exc. STATION WAGON

R&R Assy. .8
O/H Including R&R
1.1 exc. w/Guards 1.2
Add to Bumper R&R
to Drill for Guards .5



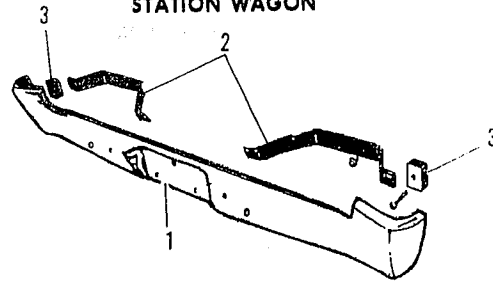
TYPICAL

| | | | |
|-----------------------------|-------------|-----|-------|
| 1. Face Bar exc. | 2962550 | .8 | 76.43 |
| Charger | 2856675 | .8 | 71.00 |
| 2. Guard, Bar exc. | 2962564-5 | .4 | 13.24 |
| Charger | (2) 2856682 | .4 | 13.24 |
| 3. Cushion, Guard (Coronet) | (2) 2962560 | (D) | 1.71 |
| 4. Support, Bar exc. | 2962556-7 | | 8.79 |
| Charger | 2856680-1 | | 8.46 |
| Panel, License Plate Mtg. | 3464244 | | 6.37 |

Cont'd.

REAR BUMPER, Cont'd.

STATION WAGON

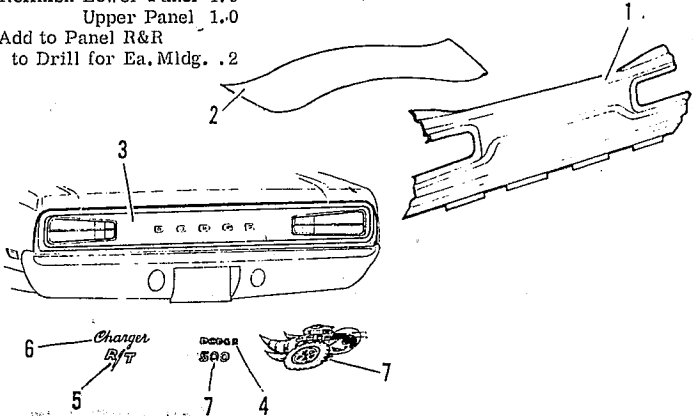


| | | | |
|-------------------------|-------------|-----|-------|
| 1. Face Bar | 2856595 | 1.1 | 78.42 |
| 2. Support, Bar | 2856582-3 | | 8.35 |
| 3. Pad, Impact | (2) 2856588 | | 1.62 |
| Plate, Crossmember Mtg. | Rt. 2860620 | | 2.11 |
| | Lt. 2860683 | | 2.02 |

REAR BODY

Exc. STATION WAGON

Refinish Lower Panel 1.0
Upper Panel 1.0
Add to Panel R&R
to Drill for Ea. Mldg. .2



| | | | |
|--|-----------------|------|-------|
| 1. Panel, Lower (Below Deck Lid) | | | |
| exc. | 2963607 | #5.5 | 27.45 |
| Charger | 3506007 | #5.5 | 26.73 |
| (#R&R w/One Qtr. Rem. 4.0, w/Both Qtrs. Rem. 3.0) | | | |
| Panel, Lower (To Rear Crossmember) | | | |
| Charger | 2902524 | # | 26.73 |
| (#4.0 w/Bumper Removed. R&R Upper & Lower 6.0 exc. w/One Qtr. Rem. 5.0, w/Both Qtrs. Rem. 4.0) | | | |
| Extension, Lower Panel Reinf. | | | |
| Charger | 2901688-9 | | 1.65 |
| Reinforcement, Tail Lamp Mounting | | | |
| Charger | Upper 2902560-1 | | 4.98 |
| | Lower 2902526-7 | | 5.98 |
| Filler, T/Lamp Opng., Lower Reinf. | | | |
| Charger Inner | 2902526-7 | | 5.98 |
| Outer | (2) 2902526 | | 5.98 |
| 2. Panel, Upper (Above Deck Lid) | | | |
| 2 Drs. exc. | 2838712 | | 14.03 |
| Charger | 2838090 | (D) | 13.83 |
| Conv. | 2838248 | | 10.84 |
| 4 Dr. Sedan | 3444574 | | 12.23 |
| Reinf., Upper Panel (Conv.) | 2838250 | | 5.48 |
| Mldg. Pkg., Upper Panel | | | |
| 4 Dr. Sedan * | 2932140-1 | .3 | 3.80 |
| Conv. | (2) 2932089 | .3 | 4.83 |
| (*w/Vinyl Roof or Two-Tone Paint) | | | |
| Cover, Upper Panel Mldg. Joint | | | |
| 4 Dr. Sedan | 2841610 | | 1.11 |
| Conv. | 2841642 | (D) | 1.19 |
| 3. Panel, Lower Finish | | | |
| Super Bee (w/Letters & Orna.) | 2965254 | .7 | 23.60 |
| 440 (w/Letters) | 2965256 | .7 | 20.12 |
| 500 (w/Letters & Numeral) | 2965258 | .7 | 27.77 |
| Coronet R/T (w/Letters) | 2965259 | .7 | 27.77 |
| Charger w/Special Trim | 3482000 | .8 | 31.09 |
| w/o Special Trim | 3505750 | .8 | 27.44 |
| Charger R/T | 3481954 | .8 | 31.09 |

Cont'd.

G-3

DODGE

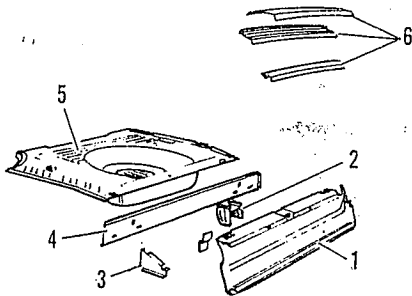
CORONET & CHARGER 1970

REAR BODY, Cont'd.

Exc. STATION WAGON, Cont'd.

| | | | | | |
|------------------------------------|--|--------|------|--|--|
| 4. Letter, Name | "D" "O" "D" "G" "E" | | | | |
| | 2840324-5 - 3446454 - 2840326-7 | # each | 1.59 | | |
| | # One .2, All .3. | | | | |
| Nameplate | | | | | |
| 5. "R/T" Coronet | 3444609 | .3 | 3.72 | | |
| "500" Charger | 3505338 | .3 | 1.42 | | |
| 6. "Charger" | 2802306 | .3 | 2.88 | | |
| 7. Nameplate, Numeral & Ornament * | - Not Serviced Separately. | | | | |
| | * See Appropriate Application in Finish Panel. | | | | |

STATION WAGON

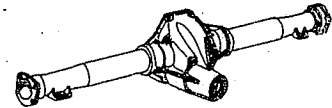


| | | | | | |
|--------------------------------------|------------------------------|------|-------|--|--|
| 1. Panel, Tailgate Opening Sill | 2860150 | # | 18.89 | | |
| | # 4.5 exc. w/Quarter Removed | 3.0. | | | |
| Extension, Sill Panel | 2860818-9 | | 3.55 | | |
| 2. Brace, Sill Panel (at Lock Opng.) | 2573976 | | 1.14 | | |
| 3. Support, Sill Opng. | | | | | |
| To Rear X-Member | 2860194 | | .94 | | |
| 4. Crossmember, Rear Floor Pan Rr. | 2860356 | | 12.00 | | |
| 5. Pan, Rear Floor Rear | 2895348 | | 58.93 | | |
| Reinf., Sill Panel To Q/Panel | 2861570 | | 1.58 | | |
| 6. Header, Roof Rear | 3417401 | # | 25.00 | | |
| | # 2.5 w/Roof Removed. | | | | |

FUEL TANK, Cont'd.

| | | | | | |
|----------------------------|---------|-----|-------|--|--|
| Grommet, Filler Tube | | | | | |
| exc. S/W | 3404182 | | 1.14 | | |
| S/W | 2880481 | | 1.14 | | |
| Strap, Tank Support (2) | | | | | |
| exc. S/W | 2856349 | | 3.10 | | |
| S/W | 2880474 | | 3.26 | | |
| Gauge, Tank Unit | | | | | |
| exc. S/W w/o 426, 440 Eng. | 3420848 | 1.0 | 17.94 | | |
| w/426, 440 Eng. | 3420847 | 1.0 | 19.03 | | |
| S/W | 3420846 | 1.3 | 17.94 | | |

REAR AXLE



| | | | | | |
|--|----------------------------------|------|--------|--|--|
| Drum, Rear Brake | | | | | |
| 10" x 1-3/4" | 3004744 | .3 | 29.56 | | |
| 10" x 2-1/2" | 3580553 | .3 | 29.72 | | |
| 11" x 2-1/2" Fin Type | 3549842 | .3 | 36.52 | | |
| Support, Rear Brake | | | | | |
| 10" x 1-3/4" Brakes | 2880582-3 | .9 | 12.56 | | |
| 10" x 2-1/2" Brakes | 2880602-3699601 | .9 | 13.90 | | |
| 11" x 2-1/2" Brakes | 2880646-7 | .9 | 14.67 | | |
| Hose, Rear Brake | 3461726 | #.6 | 4.92 | | |
| | # Includes Bleed Brakes. | | | | |
| Shaft, Rear Axle | | | | | |
| 6 Cyl. exc. S/W | | | | | |
| w/7-1/4" Dia. Ring Gear | 3432798 | #1.5 | 38.00 | | |
| V8 w/318 Eng. | | | | | |
| w/8-1/4" Dia. Ring Gear | 3432820 | | 43.96 | | |
| All w/8-3/4" Dia. Ring Gear | 3432774 | #2.2 | 43.96 | | |
| All w/9-3/4" R/Gr. 23 Teeth | 2881010-1 | #2.2 | 77.73 | | |
| 35 Teeth | 3507160-1 | #2.2 | 67.79 | | |
| | # Includes R&R Bearings & Seals. | | | | |
| Bearing Pkg., Axle Shaft | | | | | |
| w/7-1/4" Dia. Ring Gear | 3420091 | # | 16.25 | | |
| w/8-1/4" Dia. Ring Gear | 2852949 | # | 6.40 | | |
| w/8-3/4 or 9-3/4" Dia. R/Gr. Rt. 3683966 | | # | 19.00 | | |
| Lt. 3683966 | | # | 19.00 | | |
| | # Use Axle Shaft Time. | | | | |
| Oil Seal, Axle Shaft | | | | | |
| w/7-1/4" Dia. Ring Gear | 2643464 | | 2.20 | | |
| w/8-1/4" Dia. Ring Gear | 2852948 | | 1.95 | | |
| w/8-3/4" Dia. Ring Gear Outer | 2404216 | | 2.00 | | |
| Inner | 3621967 | | 2.85 | | |
| w/9-3/4" Dia. Ring Gear Outer | 2404216 | | 2.00 | | |
| Inner | 2852574 | | 2.50 | | |
| Housing, Rear Axle | | | | | |
| w/7-1/4" Dia. Ring Gear | 3507246 | 5.0 | 129.22 | | |
| w/8-1/4" Dia. Ring Gear | 2881055 | 5.0 | 162.88 | | |
| w/8-3/4" Dia. Ring Gear | 2852838 | 5.0 | 142.79 | | |
| w/9-3/4" Dia. Ring Gear | 3432555 | 7.0 | 270.82 | | |

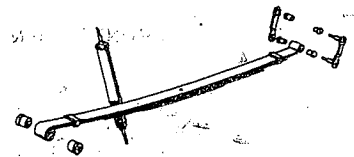
FUEL TANK



| | | | | | |
|--|------|---------|-----------|-------|--|
| Tank, Fuel * | | | | | |
| w/o E. C. S. | exc. | 2880434 | 1.1 | 64.66 | |
| Charger | | 3404492 | 1.4 | 65.65 | |
| S/W | | 3404497 | 1.2 | 73.35 | |
| w/E. C. S. | exc. | 3404392 | 1.1 | 80.48 | |
| Charger | | 3404393 | 1.4 | 88.85 | |
| S/W | | 3404394 | 1.2 | 85.75 | |
| Cap, Gas Filler (Plain) * | | | | | |
| w/o E. C. S. | exc. | 2925697 | | 1.16 | |
| Charger | | 2925878 | | 14.90 | |
| S/W exc. | | 2643998 | | 4.20 | |
| 500 | | 3466410 | | 4.34 | |
| w/E. C. S. | exc. | 3466825 | | 2.40 | |
| Charger | | 2925745 | | 14.90 | |
| S/W exc. | | 2925735 | | 4.82 | |
| 500 | | 3466409 | | 4.82 | |
| Cap, Gas Filler (Locking) (w/E. C. S.) * | | | | | |
| exc. S/W | | 3404651 | (D) 4.75 | | |
| S/W | | 3404662 | (D) N. A. | | |
| Bezel, Filler Cap | | | | | |
| 500 S/W | | 3404467 | | 3.01 | |
| Ring, Cap Ornament | | | | | |
| Charger | | 2880430 | | 4.77 | |
| Tube, Filler * | | | | | |
| w/o E. C. S. | exc. | 2856332 | .7 | 3.72 | |
| Charger | | 2925689 | .7 | 10.44 | |
| S/W Outer | | 2880454 | 1.1 | 12.41 | |
| w/E. C. S. | exc. | 3404382 | .7 | 3.72 | |
| Charger | | 3404202 | .7 | 10.20 | |
| S/W Outer | | 3404231 | 1.1 (D) | 11.27 | |
| w/or w/o E. C. S. S/W Inner | | 3404162 | 1.1 | 5.82 | |

* E. C. S. Indicates Emission Control System.

REAR SUSPENSION



| | | | | | |
|-------------------------|---------------------------|---------|-------|--|--|
| Spring, Rear (Standard) | | | | | |
| 2 Dr. Sed. & H. T. | | | | | |
| 6 Cyl. Eng. exc. | 3420165 | 1.1 | 42.95 | | |
| Charger | 3579502 | 1.1 | 44.56 | | |
| w/318, 383 Eng. exc. | 3004766 | 1.1 | 47.46 | | |
| Super Bee | 2585640 | 1.1 | 47.48 | | |
| Charger | 3579502 | 1.1 | 44.56 | | |
| Charger * | 3004766 | 1.1 | 47.46 | | |
| 4 Dr. Sed. | | | | | |
| 6 Cyl. Eng. | | | | | |
| w/318, 383 Eng. | 3004651 | 1.1 | 47.46 | | |
| Conv. | 3004652 | 1.1 | 47.46 | | |
| 6 Cyl. Eng. | | | | | |
| w/318, 383 Eng. | 3004766 | 1.1 | 47.46 | | |
| S/Wagon 2 Seater | 3420116 | 1.1 (D) | 42.95 | | |
| 3 Seaters | 3514967 | 1.1 | 53.77 | | |
| All w/426, 440 Eng. | 3514968 | 1.1 | 53.77 | | |
| | 3004768-7 | 1.1 | 72.33 | | |
| | * w/Soft Rate Suspension. | | | | |

Cont'd.

Cont'd.

CORONET & CHARGER 1970

DODGE

G-3

REAR SUSPENSION, Cont'd.

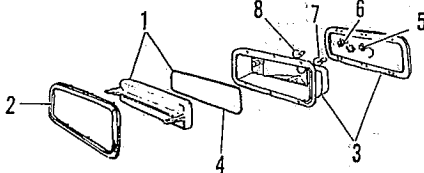
| | | | | |
|---|-----------|-----|-------|--|
| Spring Rear (Heavy Duty) exc. Conv., S/W | | | | |
| 6 Cyl. Eng. | 3004655 | 1.1 | 47.46 | |
| w/318, 383 Eng. | 2585641 | 1.1 | 51.68 | |
| Conv. | | | | |
| 6 Cyl. Eng. | 2585640 | 1.1 | 47.78 | |
| w/318, 383 Eng. | 2585642 | 1.1 | 47.78 | |
| S/W 2 Seater | 3514965 | 1.1 | 53.77 | |
| 3 Seater | 3514966 | 1.1 | 53.77 | |
| Extreme Heavy Duty w/318, 383 w/2 Bbl. Carb. | 3004767 | 1.1 | 72.33 | |
| w/4 Bbl. Carb. | 3004768-7 | 1.1 | 72.33 | |
| Main Leaf, Rear Spring (Standard) exc. | 3400876 | 1.5 | 18.30 | |
| Super Bee, Charger | 3400872 | 1.5 | 19.71 | |
| S/W | 3400951 | 1.5 | 18.95 | |
| w/426, 440 Eng. | 3400874 | 1.5 | 18.95 | |
| Main Leaf, Rear Spring (H/Duty) exc. | 3400872 | 1.5 | 19.71 | |
| w/426, 440 Eng. & Ext. H/D | 3400874 | 1.5 | 18.95 | |
| S/W | 3400949 | 1.5 | 20.34 | |
| Shock Absorber w/Bshgs., Rear 1" Diameter | 3722388 | .7 | 15.75 | |
| 1-3/8" Diameter | 2948077 | .7 | 22.90 | |
| Bushing, Shock Upper | 2201554 | | 1.08 | |
| Lower | 1319902 | | .46 | |

REAR LAMP

TAIL, STOP, DIRECTIONAL & BACK-UP LAMP

Exc. STATION WAGON

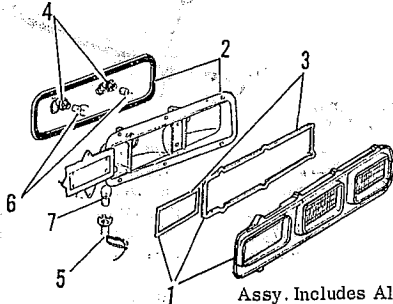
CORONET DELUXE, SUPER BEE & 440



Assy. Includes All Items Illustrated.

| | | | |
|---|-----------|------|-------|
| Lamp Assy. | 3403188-9 | .7 | 26.36 |
| 1. Lens & Gasket Pkg. | 3420622-3 | .7 | 9.97 |
| 2. Bezel | 3403198-9 | | 12.41 |
| 3. Housing & Gasket - Not Serviced Separately | | | |
| 4. Gasket, Lens - Not Serviced Separately | | | |
| 5. Socket & Cable, Tail | 1841893 | 2.11 | |
| 6. Back-Up | 2926848 | 1.14 | |
| 7. Bulb, Tail (1157) | 9417867 | .60 | |
| 8. Back-Up (1156) | 9417866 | .70 | |
| Cover, Lamp Housing | 3403884-5 | | 3.78 |

CORONET 500 & R/T



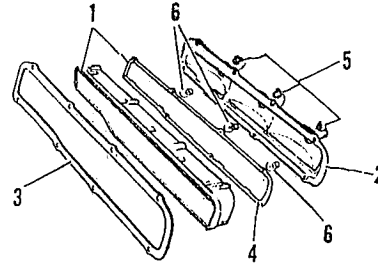
Assy. Includes All Items Illustrated

| | | | |
|---|-----------|------|-------|
| Lamp Assy. | 3403272-3 | .7 | 20.97 |
| 1. Lens & Gasket Pkg. | 3420718-9 | .7 | 11.16 |
| 2. Housing & Gasket - Not Serviced Separately | | | |
| 3. Gasket, Lens - Not Serviced Separately | | | |
| 4. Socket & Cable, Tail & Stop | 2822196 | 2.50 | |
| 5. Back-Up | 2926848 | 1.14 | |
| 6. Bulb, Tail & Stop (1157) | 9417867 | .60 | |
| 7. Back-Up (1156) | 9417866 | .70 | |

Cont'd.

REAR LAMP, Cont'd.

**TAIL, STOP & DIRECTIONAL LAMP
CHARGER**



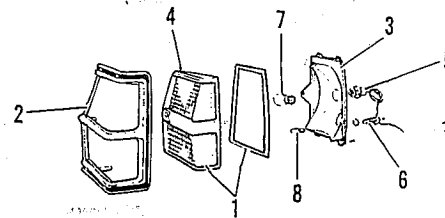
Assy. Includes All Items Illustrated.

| | | | | |
|-----------------------|-----------|-----|-------|--|
| Lamp Assy. | | | | |
| w/o Silver Paint | | | | |
| To 1-70 | 3403424-5 | #.7 | 42.95 | |
| After 1-70 | 3403902-3 | #.7 | 35.36 | |
| w/Silver Paint | | | | |
| To 1-70 | 2930988-9 | #.7 | 43.73 | |
| After 1-70 | 3403910-1 | #.7 | 44.17 | |
| 1. Lens & Gasket Pkg. | | | | |
| w/o Silver Paint | | | | |
| To 1-70 | 3420586-7 | #.7 | 16.04 | |
| After 1-70 | 3514258-9 | #.7 | 16.92 | |
| w/Silver Paint | | | | |
| To 1-70 | 2932824-5 | #.7 | 28.75 | |
| After 1-70 | 3514260-1 | #.7 | 28.23 | |

(#Both Sides .9)

- 2. Housing - Not Serviced Separately
- 3. Gasket, Mounting - Not Serviced Separately
- 4. Lens - Not Serviced Separately
- 5. Socket & Cable (2) 2983478 1.22
- (1) 2983538 1.14
- 6. Bulb (1157) (3) 9417867 .60

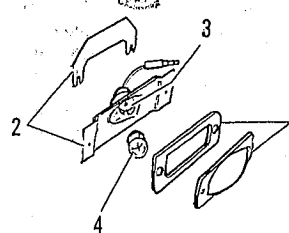
**STATION WAGON
w/SIDE MARKER LAMP**



Assy. Includes All Items Illustrated.

| | | | |
|--|-----------|----|-------|
| Lamp Assy. | 3403362-3 | .4 | 19.62 |
| 1. Lens & Gasket Pkg. | 3420738-9 | .4 | 8.50 |
| 2. Bezel | 3403548-9 | | 11.04 |
| 3. Housing - Not Serviced Separately | | | |
| 4. Gasket, Lens - Not Serviced Separately | | | |
| 5. Socket & Cable | 1841893 | | 2.11 |
| 6. Extension, Socket - Not Serviced Separately | | | .60 |
| 7. Bulb, Socket (1157) | 9417867 | | N.A. |
| 8. Extension | N.A. | | N.A. |

**LICENSE LAMP
Exc. STATION WAGON**



Assy. Includes All Items Illustrated.

| | | | |
|---|---------|----|------|
| Lamp Assy. exc. Charger | 3749400 | .3 | 5.37 |
| Charger | 2853561 | .3 | 7.27 |
| 1. Lens & Gasket - Not Serviced Separately | | | |
| 2. Housing & Shield - Not Serviced Separately | | | |
| 3. Socket & Cable - Not Serviced Separately | | | |
| 4. Bulb (87) | 142450 | | .34 |

Cont'd.

G-3

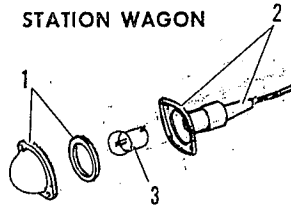
DODGE

CORONET & CHARGER 1970

REAR LAMP, Cont'd.

LICENSE LAMP, Cont'd.

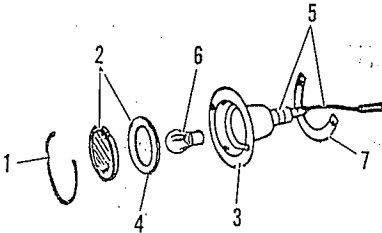
STATION WAGON



Assy. Includes All Items Illustrated.

| | | | |
|--|---------|-----|------|
| Lamp Assy. | 2930916 | .3 | 7.27 |
| 1. Lens & Gasket - Not Serviced Separately. | | | |
| 2. Housing & Socket - Not Serviced Separately. | | | |
| 3. Bulb (87) | 142450 | .34 | |

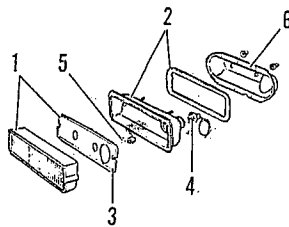
BACK-UP LAMP
CHARGER & STATION WAGON



Assy. Includes All Items Illustrated.

| | | | |
|---------------------------------------|---------|-----|------|
| Lamp Assy. | | | |
| Charger | 3403860 | .3 | 8.08 |
| S/W | 3403862 | .3 | 8.25 |
| 1. Retainer, Lens | 2853439 | (D) | .47 |
| 2. Lens & Gasket Pkg. | 2932954 | | 1.65 |
| 3. Housing - Not Serviced Separately. | | | |
| 4. Gasket, Lens | 2853437 | (D) | .16 |
| 5. Socket & Cable | 2983279 | | 1.44 |
| 6. Bulb (1156) | 9417866 | | .70 |
| 7. Retainer, Mounting | 2853440 | | .68 |

SIDE MARKER LAMP
Exc. STATION WAGON



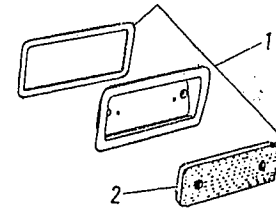
Assy. Includes All Items Illustrated.

| | | | |
|--|-----------|----|------|
| Lamp Assy. exc. Charger | 3403570-1 | .3 | 6.88 |
| Charger | 3403748-9 | .3 | 7.29 |
| 1. Lens & Gasket Pkg. exc. Charger | 3420830-1 | | 2.42 |
| Charger | N.A. | | N.A. |
| 2. Housing & Gasket - Not Serviced Separately. | | | |
| 3. Gasket, Lens - Not Serviced Separately. | | | |
| 4. Socket & Cable | 2983545 | | 1.29 |
| 5. Bulb (1895) | 9417863 | | .34 |
| 6. Bracket, Mtg. exc. Charger | 3403580-1 | | 1.90 |
| | 3403756-7 | | 1.90 |

Cont'd.

REAR LAMP, Cont'd.

SIDE MARKER REFLECTOR
STATION WAGON

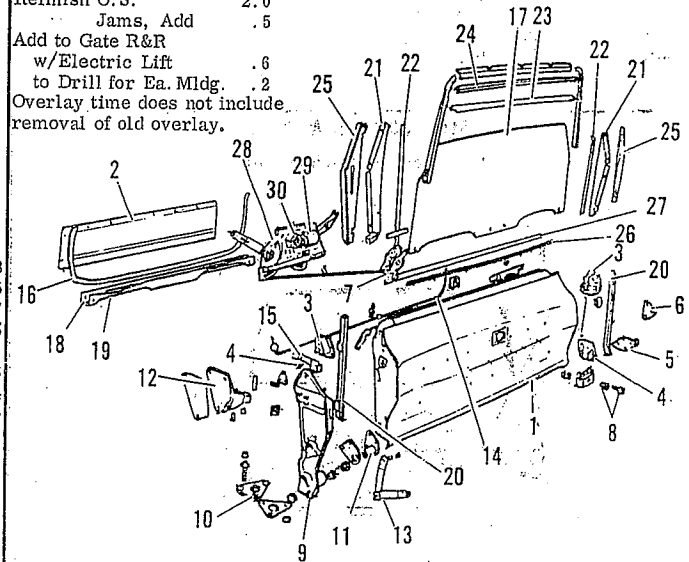


Assy. Includes All Items Illustrated.

| | | | |
|---------------------------|---------|----|------|
| 1. Bezel & Reflector Pkg. | 3420611 | .3 | 3.33 |
| 2. Reflector w/Gasket | 2930963 | .3 | 1.59 |

REAR GATE

Refinish O.S. 2.0
Jams, Add .5
Add to Gate R&R w/Electric Lift to Drill for Ea. Mldg. .2
Overlay time does not include removal of old overlay.



SHEET METAL & HARDWARE

| | | | |
|--|-------------|---------|--------|
| 1. Tailgate | 3417944 | 4.5 | 201.62 |
| 2. Cover, Inside | 2860260 | .3 | 13.67 |
| Lock or Latch | Rt. 2862088 | # | 9.84 |
| | Lt. 2862077 | # | 7.94 |
| 4. Lower | Rt. 2862100 | # | 8.85 |
| # One .7, All 1.0. | | | |
| Striker, Lock | | | |
| 5. Upper | Rt. 3508046 | .2 | 2.57 |
| | Lt. 3454477 | .2 | 2.57 |
| Lower | Rt. 3454480 | .2 | 3.10 |
| 6. Plate, Lock Striker | 3454479 | | .62 |
| 7. Remote Control | 3454139 | | 8.43 |
| 8. Cyl. & Keys (Incl. Doors & Ignition) | | | |
| Manual | 2999445 | # | 11.35 |
| Electric | 2999446 | # | 11.35 |
| # R&R for T/Gate .7, Door .5, Ignition .3. | | | |
| 9. Hinge | Lt. 2945162 | 1.6 | 42.02 |
| Support, Hinge Lower | | | |
| 10. Outer * | 2862129 | 1.6 | 4.10 |
| 11. Inner ** | 2862131 | | 5.43 |
| * Pivot Point When T/Gate Used As Door. | | | |
| ** Pivot Point When T/Gate Used As T/Gate. | | | |
| 12. Strap, Upper Pivot | 2862115 | | 27.79 |
| 13. Link, Support | 2862118 | | 2.18 |
| 14. Torsion Bar, Hinge | 2945066 | 1.6 (D) | 4.16 |
| 15. Wedge, T/G Upper (Left) Up to | 2862275 | | 15.24 |
| After * | 3548133 | | 14.51 |
| 16. Weatherstrip, Lower Opening | 2860363 | .3 | 7.72 |
| * 11-1-69. | | | |

Cont'd.

CORONET & CHARGER 1970

DODGE

G-3

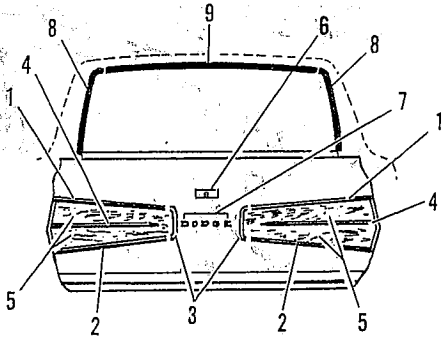
REAR GATE, Cont'd.

GLASS & PARTS

| | | | | |
|-----|------------------------------|-------------|---------|------------------|
| 17. | Glass, Tailgate (Glass Co.) | (Car Mfr.) | | |
| | Clear NAGS B4066 | Use 2860104 | .9 | Use |
| | Tinted Glass Price List | 2860105 | | Glass Price List |
| 18. | Frame (Channel), Glass Lower | 2860103 | | 4.31 |
| 19. | Gasket, Lower Frame | 2860360 | | 4.98 |
| 20. | Channel, Glass Run | | | |
| | Qtr. Retainer Inner & Outer | 3439308-9 | | 4.48 |
| | Lower Complete | 2860814-5 | .6 | 5.22 |
| | Glass Run | | | |
| 21. | on Qtr. Panel Outer | 2861334-5 | .4 | 3.99 |
| 22. | Inner | 2860476-7 | .4 | 8.83 |
| 23. | Upper Roof Rear | 2574657 | .3 | 4.16 |
| | Lower (2) | 2860621 | .6 | 1.62 |
| | Retainer, Glass Run | | | |
| 24. | Upper Roof Rear | 2573304 | | 3.92 |
| 25. | Side | 2860764-5 | | 5.33 |
| | Weatherstrip, Glass Belt | | | |
| 26. | Outer | 2860362 | .2 | 3.62 |
| 27. | Inner | 2861597 | .2 (D) | 3.33 |
| 28. | Regulator, Window Manual | 2862257 | .8 | 31.00 |
| | Electric | 2862449 | .9 | 36.55 |
| | Handle, Outside Partial | 2583331 | O/H 1.0 | 6.09 |
| | Complete | 2583022 | .7 | 23.76 |
| 29. | Motor, Regulator | 2448640 | .9 | 49.17 |
| 30. | Mechanism, Elect. Regulator | 2486882 | .9 | 26.23 |

MOULDINGS & TRIM

Pkgs. Include Attaching Parts

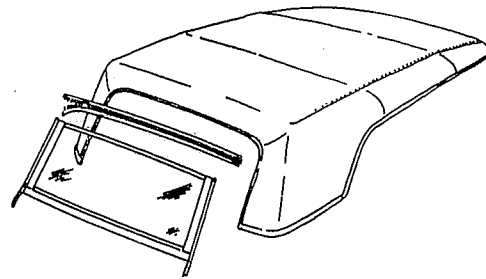


| | | | | |
|-----------------------|--|-----------|-------|-------|
| Mldg. Pkg., Tail Gate | | | | |
| 1. | Upper | 3514024-5 | # | 3.83 |
| 2. | Lower | 3514022-3 | # | 4.01 |
| 3. | End, Joint | 3419998-9 | # | 4.45 |
| 4. | Center (exc. Deluxe) | 3419994-5 | # | 5.75 |
| | # One or All .7. | | | |
| 5. | Overlay, Wood Grain | | | |
| | 500 | 3444834 | # | 26.99 |
| | # 1.5 w/Mldgs. Removed & After Painting. | | | |
| 6. | Ornament, Outside | | | |
| | w/Electric Lift | 2862816 | | 6.28 |
| 7. | Letters, Name | | | |
| | "D" (2) "O" "G" "E" | | | |
| | 2963990 - 1 - 3 - 4 | | #each | 1.14 |
| | # One or All .3. | | | |
| 8. | Mldg. Pkg., Upper Pillar | 3004382-3 | .3 | 10.32 |
| 9. | Mldg., Roof Rear Edge | 2573303 | .4 | 7.03 |

WIPER & WASHER PARTS

| | | | | |
|--------------------------|-------------------|---------|-------|-------|
| Blade w/Refill, Wiper | (2) | 2884398 | # (D) | 4.95 |
| Refill, Blade | | 2884399 | | 2.40 |
| | # One or Both .8. | | | |
| Arm, Wiper Blade | | 2889940 | | 14.05 |
| Support w/Brkt., Washer | | 2889800 | | 8.36 |
| Nozzle, Washer | (2) | 2926932 | .3 | 3.80 |
| Pump & Seal Pkg., Washer | | 3004121 | .6 | 17.31 |
| Reservoir & Seal Pkg. | | 3004120 | .6 | 4.24 |

CONVERTIBLE TOP



| | | | | |
|---------------------------------|---------------------------------|-----------|----------|--------|
| Top, Folding | (w/o Mech. or Soft Trim) | 1995DX9 | 11.0 | 340.33 |
| Cover, Top | | | | |
| | (w/o Back Curtain) White | 1937BW1 | 4.3 (D) | 84.35 |
| | Black | 1937BX9 | 4.3 (D) | 84.35 |
| Back Curtain w/Glass | | | | |
| | (w/o Zipper) White | 1902EW1 | #4.2 (D) | 100.57 |
| | Black | 1902EX9 | #4.2 (D) | 100.57 |
| | # Exc. w/Top Cover Removed 1.2. | | | |
| Zipper, Rear Curtain | Black | 1972EX8 | 4.7 (D) | 6.14 |
| Header (Complete) | | 2605327 | 2.0 | 62.16 |
| Weatherstrip, Header | | 2573632 | .3 | 5.24 |
| | Front | 2901268 | .6 | 8.01 |
| Retainer, W/Strip | | | | |
| | Header Center | 2573882 | | 3.92 |
| Weatherstrip, Side Rail | | | | |
| | Front | 2528286-7 | .3 | 4.85 |
| | Center | 2573536-7 | .3 | 4.85 |
| | Rear | 2841050 | .3 | 2.88 |
| Retainer, Side Rail W/Strip | | | | |
| | Front | 2573528-9 | | 5.23 |
| | Center | 2573530-1 | | 3.73 |
| | Rear | 2840210 | | 3.86 |
| Bow, Top | No. 1 | 2573406 | #1.4 | 9.21 |
| | No. 2 | 2573407 | #1.4 | 9.21 |
| | No. 3 | 2784300 | 2.5 | 23.29 |
| | # Both 1.4. | | | |
| Mechanism, Header Locking | | 2520610-1 | .3 | 15.12 |
| Bracket or Catch, Header Lock * | | 2842630-1 | | 12.93 |
| | *Includes Sun Visor Arm. | | | |
| Latch, Mechanism Handle | | 3454383 | .3 | 2.64 |
| Cyl. w/Yoke, Top Lift | (2) | 3505226 | .8 | 41.97 |
| Hose, Cyl. | (2) | 2573658 | .7 | 10.37 |
| Motor w/End Plate | | 2573838 | .9 | 52.54 |
| Rotor Pkg., Motor Pump | | 2573840 | | 5.94 |
| Reservoir w/Bracket, Pump | | 2573847 | .9 | 10.15 |