

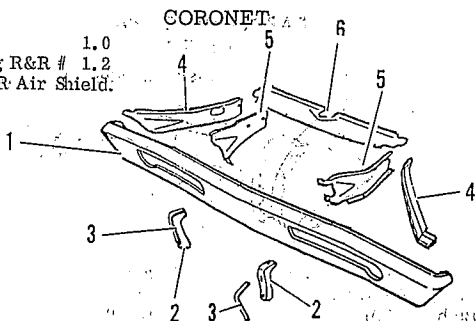
OCTOBER 1, 1974

DODGE

CORONET & CHARGER 1969

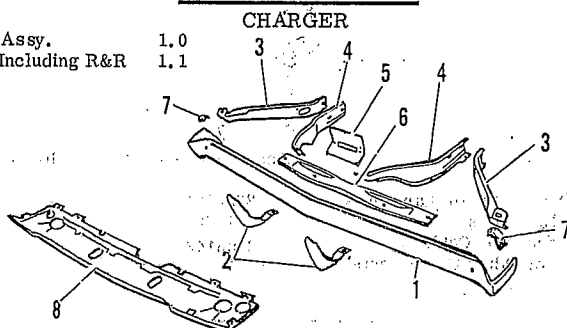
FRONT BUMPER

R&R Assy. 1.0  
O/H Including R&R # 1.2  
#Includes R&R Air Shield.



1. Face Bar, Front	2856600	1.0	72.83
2. Guard, Front	2856610-1	.2	11.45
3. Cushion, Guard	2856612		2.16
4. Support, Face Bar Outer	2856606-7		5.67
5. Support, Face Bar Inner	2856604-5		5.67
6. Air Shield	2856614	.3	8.04

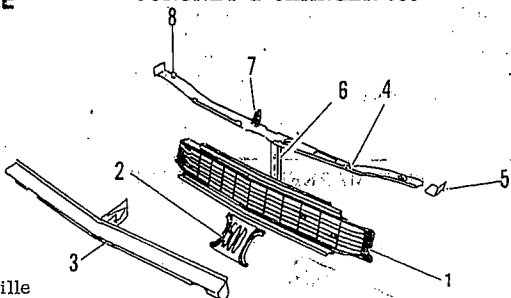
R&R Assy. 1.0  
O/H Including R&R 1.1



1. Face Bar, Front	2856650	1.1	64.25
2. Guard, Front - Short	2856662	.2	11.45
Long	2931252-3		11.45
3. Support, Face Bar Outer	2856656-7		5.67
4. Support, Face Bar Inner	2856654-5		6.84
5. Bracket, License Mtg.	2856666		1.58
6. Brace, Face Bar Supt.	2962614		6.92
7. Stabilizer, Face Bar	2856668		.79
8. Air Shield	2786947	# .7	24.37
# w/Bumper Removed.			
Extension, Air Shield	2786936-7		2.68

GRILLE

CORONET & CHARGER 500



1. Grille			
Coronet, Deluxe, 440 (Chrome)	2898120	# .7	27.33
Cor. 500, S/Bee, R/T (Black)	2898872	# .7	27.33
Charger 500 (Black)	2786857	# .7	35.39
#Includes R&R Headlamp Doors.			
Bracket, Grille (Charger 500)			
to Upper Cross Bar	2836990-1		1.64
to Lower Cross Bar	2836992		1.50
Nameplate, Grille			
Coronet, Deluxe, 440 "Dodge"	2898335		2.26
Charger 500 "Charger"	2840066		2.61
"500"	3504810		1.64
2. Ornament, Grille Center			
Coronet 500 "500"	2898334		5.82
Ornament, Grille Lt. Side			
Coronet R/T "R/T"	2898886		2.43
Super Bee "Bee"	2949303		2.87
3. Panel, Grille Lower	2898693	# .8	25.60
#Time is w/Bumper Removed.			

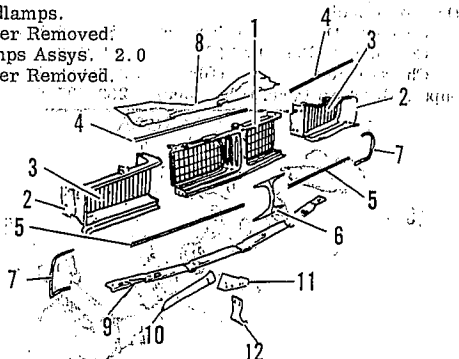
Cont'd.

GRILLE, Cont'd.

4. Cross Bar, Grille			
Exc. Charger 500	2898764	#.7	10.47
Charger 500	2949104		9.22
Upper	2786386		8.69
Lower			
#Includes R&R Hood Lock.			
5. Bracket, Upr. X-Bar (Coronet) (2)	2786794		1.62
Support, Hood Lock Vertical			
6. Exc. Charger 500	2786173		3.54
Charger 500	2786391		3.54
Brace, Lock Supt. Lwr. (Chgr. 500)	2786815		1.50
7. Spring, Hood Release Pop-Up	2862433		.24
8. Bumper, Cross Bar to Hood	2276804		.08
NOTE: For Upr. X-Mbr., Brkt. & Rad. Side Panels-See Cooling & Eng.			

CHARGER

O/H Grille Assy. 7.0  
Includes Align All Components,  
Drill, Rivet & Weld as Nec.  
R&R & Aim Headlamps.  
Time is w/Bumper Removed.  
R&T Grille/Headlamps Assys. 2.0  
Time is w/Bumper Removed.



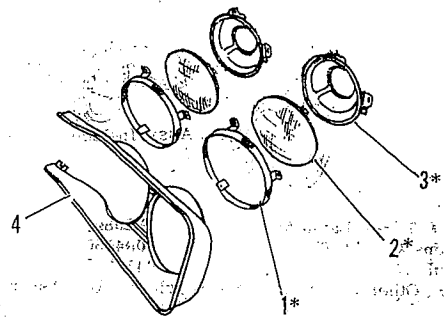
1. Grille, Center	2898638	# 5.0	21.28
#Add .1.0 for Each Lamp. O/H Time is w/Bumper Removed.			
2. Extension, Grille *	2786362-3	#	12.18
*#Partial O/H 2:5.			
Retainer, Grille	(10) 2785743		.18
Bushing, Grille	(10) 2785742		.18
3. Door, H/L Rotating *	Rt. 2898916		9.02
	Lt. 2898917		9.02
*Also Shown in Front Lamps Section.			
Nameplate, H/L Dr. "Charger"	2898929		2.28
Medallion, H/L Door			
Charger	2898930		2.04
Charger R/T	2898931		2.93
Mldg., Grille			
4. Upper	(2) 2898678	#	1.73
5. Lower	(2) 2898678	#	1.73
6. Center	2898927	#	8.65
7. Outer (H/L Outline)	2932206-7	#	4.75
#One .2, All .6 w/Grille & H/Lamps Assy..Removed.			
8. Cross Bar, Upper	2949104	# 1.0	9.22
9. Lower	2786386	##	8.69
#Includes R&R Hood Lock. ##Time w/Grille & Bumper Rem.			
10. Support, Hood Lock Vertical	2786391		3.54
11. Brace, Lock Supt. Lower	2786815		1.50
12. Bracket - Serviced w/Air Shield - See Front Bumper.			
NOTE: For Upper Crossmember, Bracket & Rad. Side Panels, See Cooling & Engine Section.			

FRONT LAMPS

HEADLAMP

CORONET & CHARGER 500

Aim Lamps .6



1. Headlamp			
2. Bracket, Headlamp			
3. Bracket, Headlamp			
4. Bracket, Headlamp			
5. Bracket, Headlamp			

\*Included in Assy.

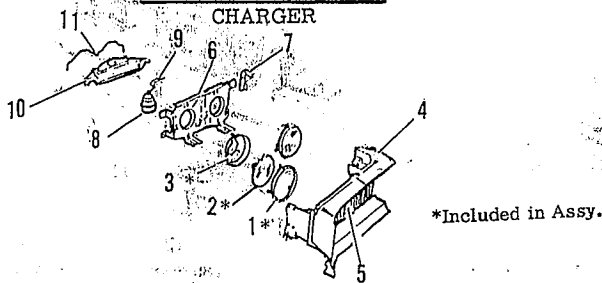
Cont'd.

FRONT LAMPS, Cont'd.

HEADLAMP, Cont'd.

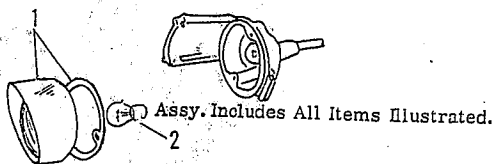
CORONET & CHARGER 500, Cont'd.

Headlamp w/o Door (Includes Items 1, 2 & 3)			
Hi-Lo Beam	Outer	3443172-3	# 9.31
Hi Beam	Inner	3443176-7	# 9.31
# .5 exc. w/Grille Rem. .3, Both .7 exc.w/Grille Rem. .5.			
1.	Retaining Ring, S/Beam	(4) 2449525	3.13
2.	Sealed Beam		
	Hi-Lo Beam	Outer 152286	# 2.89
	Hi Beam	Inner 152285	# 2.89
#One .2, Two .3, Four .5. Time is w/Door Removed.			
3.	Seat w/Screw, S/Beam		
	Hi-Lo Beam	Outer 3443124-5	3.01
	Hi Beam	Inner 3443120-1	3.01
4.	Door or Bezel		
	Coronet, Deluxe, 440 (Chrome)	2898150-1	.3 9.92
	Cor. 500, S/Bee, R/T (Black)	2898152-3	.3 9.92
	Charger 500 (Black)	2836986-5	.3 32.85
	Supt., H/Lamp Panel (Chgr. 500)	2836997-8	11.63



Headlamp w/o Door (Includes Items 1, 2 & 3)			
Hi-Lo Beam	Outer	3443172-3	# 9.31
Hi Beam	Inner	3443176-7	# 9.31
#One .6, Both Same Side .9.			
1.	Retaining Ring, S/Beam	2449525	3.13
2.	Sealed Beam		
	Hi-Lo Beam	Outer 152286	# 2.89
	Hi Beam	Inner 152285	# 2.89
#One .2, Two .3, Four .5.			
3.	Seat w/Screw, S/Beam		
	Hi-Lo Beam	Outer 3443124-5	3.01
	Hi Beam	Inner 3443120-1	3.01
4.	Extension, Grille	-- See Grille Section.	
5.	Door, H/Lamp Rotating	Rt. 2898916	9.02
		Lt. 2898917	9.02
6.	Panel, H/Lamp Mtg.	2898946-7	8.31
7.	Bracket, H/L Panel to X-Bar	2786922	.59
	Medallion, H/L Door	-- See Grille Section.	
	Nameplate, H/L Door	-- See Grille Section.	
8.	Actuator, H/L Door Vacuum	2926961	.2 11.55
9.	Wiring, H/Lamp	2983438	15.69
10.	Bracket, Actuator Mtg.	2785883	4.05
11.	Bar, Actuator to H/Lamp-Door	2785578	1.43
	Tank, Bracket & Check Valve		
	H/Lamp Door Vacuum	2889965	5.20
	Tube & Connector, H/L Door		
	Vacuum Control	2926337	7.98

PARKLAMP  
CORONET



Park & T/Sig. Lamp Assy.			
1.	Lens & Gskt. Pkg.	2930891	.4 8.82
		3004150	.3 2.81
2.	Bulb (1157)	9417867	.58

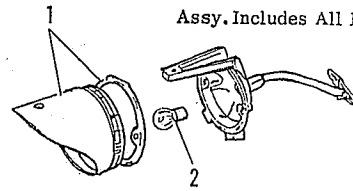
NOTE: Other Components Not Serviced - Use Assembly.

Cont'd.

FRONT LAMPS, Cont'd.

PARKLAMP, Cont'd.  
CHARGER

Assy. Includes All Items Illustrated.

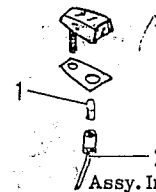


Park & T/Sig. Lamp Assy.			
1.	Lens & Gskt. Pkg.	2930954-5	.4 12.02
		2809150-1	.3 5.29
2.	Bulb (1157A)	9419780	.82

NOTE: Other Components Not Serviced - Use Assembly.

TURN SIGNAL INDICATOR LAMP  
CORONET

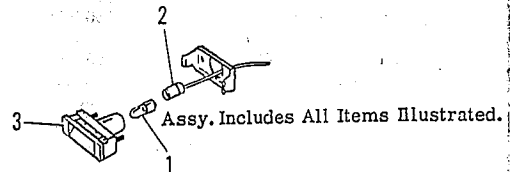
(ON FRONT FENDER)



T/Sig. Indicator Lamp Assy.			
1.	Bulb (158)	2930781	.3 8.38
		9415969	.28
2.	Socket & Cable	2606143	1.97

NOTE: Other Components Not Serviced - Use Assembly.

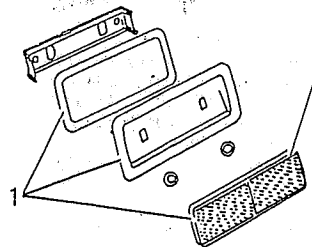
CHARGER  
(On Hood)



T/Sig. Indicator Lamp Assy.			
1.	Bulb (1893)	3004188	.3 8.38
		9416927	.26
2.	Socket & Cable	2853615	2.37
3.	Cover Pkg.	2932823	3.08

NOTE: Other Components Not Serviced - Use Assembly.

SIDE MARKER REFLECTOR



1. Bezel & Reflector Pkg.			
		3420601	.3 4.13
2.	Reflector (Only)	2930960	1.38

Assy. Includes All Items Illustrated.

OCTOBER 1, 1974

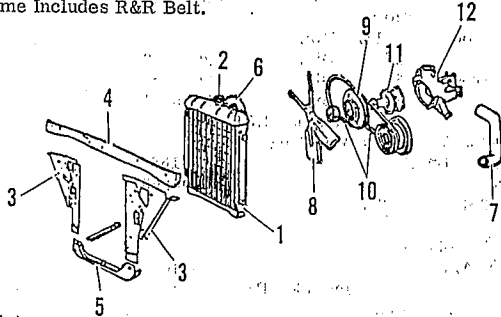
DODGE

CORONET & CHARGER 1969

**COOLING & ENGINE**  
UNDER HOOD ITEMS

**COOLING**

R&R Any Radiator Hose  
w/Radiator Removed . 1  
R&R Fan, Pulley &/or Fan Drive Unit  
w/Radiator Removed . 2  
Pulley Time Includes R&R Belt.



<b>1. Radiator</b>			
w/225 Eng.			
Standard	19"	2949063	.9 (D) 81.92
w/A. C.	22"	2949062	.9 99.54
w/Max. Cooling	22"	2949067	#.9 112.81
	22"	2949062	#.9 99.54
w/318 Eng.			
Standard	19"	2949060	.9 94.85
w/A. C.	22"	2949059	1.1 115.26
w/Max. Cooling	26"	2949058	#.9 126.97
w/383 Eng.			
Standard	22"	2949053	.9 99.54
(Police)	26"	2949052	.9 126.97
w/A. C.	22"	2949055	1.1 115.26
w/Max. Cooling	26"	2949054	#.9 126.97
w/426 Eng.			
Standard	26"	2949054	.9 126.97
w/440 Eng.			
Standard	22"	2949053	.9 99.54
w/A. C.	22"	2949055	1.1 115.26
w/Max. Cooling	26"	2949054	#.9 126.97
#w/A. C. Add			.2.
<b>2. Cap, Radiator (16 Lb.)</b>			
2998982 1.96			
<b>3. Panel, Radiator Side</b>			
w/19" & 22" Core			
Rt.		3417411	# 1.3 5.24
Lt.		2949295	# 1.3 5.24
w/26" Core			
Rt.		3417436	# 1.3 5.24
Lt.		2998059	# 1.3 5.24
<b>4. X-Mbr., Side Panel Upper</b>			
2949460 # 1.0 9.39			
<b>5. Lower</b>			
2576505 # 1.7 20.07			
*Also Listed in Frame Section.			
<b>Cross Bar, Grille</b>			
exc. Charger 500 *2898764 10.47			
Charger 500- Upper *2949104 9.22			
Lower *2786386 8.69			
*Also Listed in Grille Section.			
#Time is w/Necessary Bolted Parts Removed.			
R&R Both Side Panels & Upper Cross Bar 3.0,			
R&R Both Side Panels, Upr. X-Bar & Lwr. X-Mbr. 4.0.			
<b>Bracket, Upper X-Member</b>			
Charger 2949288-9 1.36			
Seal, Upr. X-Mbr. to Hood. 2786182 2.37			
<b>6. Hose, Radiator Upper</b>			
w/225 Eng.	1881804	.5	3.39
w/318 Eng. w/o A. C.	2084044	.5	4.86
w/A. C.	2806032	.5	3.26
w/383-440 Eng.	2863257	.5	3.65
w/383 Eng. (w/L-N Alt.)	2863230	.5	3.65
w/426 Eng.	2863230	.5	3.65
<b>7. Hose, Radiator Lower</b>			
w/225 Eng.	2084044	.6	4.86
w/318 Eng. w/o A. C.	1881813	.6	4.42
w/A. C.	1881806	.6	4.54
w/383-426-440 Eng.	1881809	.6	5.05
<b>Hose, Water Pump Bypass</b>			
w/225 Eng.*	1315466		.47
w/318 Eng.	2465085		1.68
*Part No. is for 50 Ft. Roll of 5/8" I. D. Heater Hose, Use Approximately 3". Price is Per Ft.			

**COOLING & ENGINE, Cont'd.**  
UNDER HOOD ITEMS

**COOLING, Cont'd.**

<b>8. Fan</b>			
w/225 Eng.			
w/o A. C.	4 Blade	1947907	.4 6.60
w/A. C.	4 Blade	2780920	.6 6.68
Hi-Capacity	7 Blade	2863213	#.4 17.71
w/318 Eng.			
w/o A. C.	4 Blade	2265034	.4 6.68
w/A. C.	7 Blade	2863224	.4 17.71
Hi-Capacity	7 Blade	2863215	.6 16.54
w/383 Eng.			
w/o A. C.	7 Blade	2863227	#.4 17.71
w/426 Eng. (All)			
w/440 Eng.			
w/o A. C.	7 Blade	2863224	.4 17.71
w/A. C.	7 Blade	2863216	.6 17.71
Hi-Capacity	7 Blade	2863223	#.4 19.54
w/4 Spd. Trans.	7 Blade	2863215	#.4 16.54
#w/A. C. Add .2.			
<b>Shroud, Fan</b>			
w/225 Eng.			
w/A. C.		2949129	10.52
w/318-383 Eng.			
w/A. C. or Police & Taxi		2785434	11.05
w/440 Eng.			
w/o A. C.		2949130	10.52
w/A. C.		2785434	11.05
<b>Bracket, Shroud Mtg.</b>			
V8 w/22" Core		2949176	2.88
<b>9. Pulley, Fan</b>			
w/225 Eng. w/A. C.	1 Groove	2202666	# 3.59
w/L-N Alt., w/o A. C.			
	2 Groove	2264450	# 11.63
w/318 Eng. w/o A. C.	1 Groove	2946732	# 4.19
w/A. C.	1 Groove	2463332	# 4.19
w/383 Eng. w/o A. C.	1 Groove	1821452	# 3.99
w/L-N Alt., w/o A. C.			
	2 Groove	2806643	# 6.86
w/A. C.		2951092	# 4.19
w/426 Eng.		2946716	# 4.45
w/440 Eng. w/o A. C.	1 Groove	1821452	# 3.99
w/L-N Alt., w/o A. C.			
	2 Groove	2806643	# 6.86
w/A. C.		2951092	# 4.19
#Use Fan Time.			
<b>Pulley, Fan Idler</b>			
w/318 Eng. w/L-N Alt.			
w/o A. C.		2780992	3 19.81
w/A. C.		2240397	3 10.20
w/383-440 Eng. w/A. C.		2240397	3 10.20
<b>Bracket, Idler Pulley</b>			
w/318 Eng. (Support)		2946114	3.11
w/383-440 Eng.		2951020	1.50
<b>Drive Unit, Fan</b>			
w/318 Eng. w/A. C.			
w/o 2.76 Differential		2863263	8 34.63
w/2.76 Differential		2863266	8 34.63
w/383-440 Eng. w/o A. C.		2806070	5 32.04
w/A. C.		2658456	8 34.63
w/426 Eng.		2806070	8 32.04
<b>10. Fan Belt</b>			
Eng. to Fan to Alt.			
w/225 Eng.			
w/37 A/Alt. 3/8 x 57"		2843277	# 5.32
w/46 A/Alt. 3/8 x 57"		3671682	# 5.62
w/L-N Alt. 3/8 x 41-1/2"		2264463	# 8.43
w/318 Eng.			
w/o A. C. 3/8 x 46-1/2"		2806216	# 4.80
w/A. C. 3/8 x 48"		2863564	# 4.74
w/383 Eng.			
w/o A. C. 3/8 x 46-1/2"		2806216	# 4.80
w/L-N Alt. 3/8 x 54"		2863555	# 9.70
w/426 Eng. 3/8 x 43"		2658895	# 4.68
w/440 Eng.			
w/o A. C. 3/8 x 46-1/2"		2806216	# 4.80
#R&R Any Outside Belt 3. Ea. Add'l. Belt Add'l.			

Cont'd.

Cont'd.

**COOLING & ENGINE, Cont'd.**  
UNDER HOOD ITEMS

**COOLING, Cont'd.**

10. Fan Belt (Continued)

Eng. to Strg. Pump *				
w/225 Eng.	13/32 x 40-3/4"	1558426	#	4.27
w/318 Eng.				
w/o A.C.	1/2 x 42"	1678280	#	5.11
w/A.C.	1/2 x 42-1/2"	2402934	#	5.11
w/383-440	1/2 x 40-3/4"	3462030	#	5.05
	43"	3419000	#	4.47
	44"	2951202	#	4.59
w/426 Eng.	39-1/2"	2268386	#	4.68

\*Also Listed in Steering Gear Section.

Eng. to Fan				
w/318 Eng. w/L-N Alt.				
w/o A.C.	3/8 x 36-7/8"	3418339	#	4.10
w/A.C.	3/8 x 37-1/4"	2806158	#	4.10
w/383-440	3/8 x 36-1/2"	2658793	#	4.03

Eng. to Alt. to Idler				
w/318 Eng. w/L-N Alt.				
w/o A.C.	3/8 x 56-1/4"	2899268	#	10.48

Eng. to Comp.				
w/225-318	1/2 x 50"	3418384	#	6.80

Eng. to Alt. to Comp.				
w/318 Eng.				
w/L-N Alt.	15/32 x 58-1/4"	2658352	#	10.03
w/383-440	3/8 x 61"	2951278	#	11.26

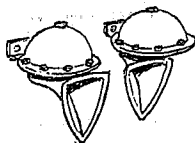
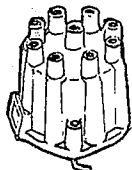
w/383 Eng.				
w/L-N Alt.	3/8 x 66"	2951159	#	12.13

#R&R Any Outside Belt 3, Ea. Add'l. Belt Add'l.

11. Water Pump				
w/225 Eng.		2808679	1.3	28.85
w/318 Eng.				
w/o A.C.		3004991	1.6	31.50
w/A.C.		3004763	1.8	31.50
w/383-440 Eng.		2808680	1.6	28.50
w/A.C.		3683834	1.8	28.50
w/426 Eng.		3683834	1.9	28.50

12. Housing, Water Pump				
w/383-426-440 Eng.		3671315		25.37

**ELECTRICAL**



Horn Pkg., Hi-Note		2808869	#.2	10.62
Lo-Note		2808868	#.2	10.62

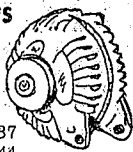
Relay, Horn		2822461	.3	2.84
-------------	--	---------	----	------

Ring, Horn Blowing - See Steering Column.

Cap, Distributor				
w/225 Eng.		2642986	.3	3.81
w/318-383 Eng.		2444507	.4	4.44
w/426 Eng.		2585000	.4	4.21
w/440 Eng.		2444507	.4	4.44
	Single Pts.	2585000	.4	4.21
	Dual Pts.	2585000	.4	4.21

Relay, Starter				
w/Std. Trans.		2444453	.3	4.15
w/Auto. Trans.		2444442	.3	4.15

**ALTERNATOR PARTS**



Alternator w/Pulley				
37 Amp.				
1 Groove 2-1/2" Dia. Pulley		2642537	.4	84.00
2 Groove 3" Dia. Pulley		2642944	.4	84.00
46 Amp.				
1 Groove 2-1/2" Dia. Pulley		3621853	.4	84.00
2 Groove 3" Dia. Pulley		3621853	.4	84.00
60 Amp. (Transistor Type)				
1 Groove 2-1/2" Dia. Pulley		2875442	.4	95.25
3" Dia. Pulley		3620748	.4	95.25
2 Groove 3" Dia. Pulley		2875712	.4	92.45

Cont'd.

**COOLING & ENGINE, Cont'd.**

UNDER HOOD ITEMS

**ALTERNATOR PARTS, Cont'd.**

Shield (or Frame), Alternator				
37-46 Amp. Alt.	Front	2095945	#	9.40
	Rear	3620834	#	10.33
60 Amp. Alt.	Front	2095945	#	9.40
	Rear	2875608	#	7.45

#R&R One or Both 1.3.

Pulley, Alternator				
1 Groove 2-1/2" Dia.		2444478	#.4	3.78
3" Dia.		2095430	#.4	3.64
2 Groove 3" Dia.		2095059	#.4	4.10
3" Dia.		2875711	#.4	4.38

#Includes R&R Alternator.

Bracket, Alternator Mounting				
w/225 Eng.		3671680	#.4	5.55
w/318 Eng.		2806260	#.4	.98
w/383-426-440 Eng.				
w/o A.C.		2951640	#.4	1.80
w/383-440 Eng.				
w/A.C.		2951015	#.4	1.21

#Includes R&R Alternator.

Regulator, Voltage				
w/37-46 Amp. Alt.		2098300	#.2	15.25
w/60 Amp. Alt.		3620747	#.2	19.50

#Add .5 if Necessary to Test & Adjust.

**ENGINE**

R&I Engine Assy.				
6 Cyl. S.T. #5.1 A.T. #5.5				
V8 S.T. #6.0 A.T. #6.6				

Engine R&R				
Incl. Transfer Elect. & Fuel Units				
Does Not Include Transfer Access.				

6 Cyl. S.T. #7.1 A.T. #7.5				
V8 S.T. #8.5 A.T. #9.1				

Short Block R&R				
Incl. Grind Valves & Tune				
6 Cyl. S.T. #12.7 A.T. #13.7				
V8 exc. S.T. #16.3 A.T. #17.3				

426 S.T. #20.2 A.T. #21.1				
440 S.T. #17.6 A.T. #18.6				

Cylinder Block R&R				
Incl. Grind Valves & Tune				
6 Cyl. S.T. #18.0 A.T. #19.3				

(#w/A.C. Add .5, Does Not Include Evacuate & Recharge System)				
Adjust Linkage Complete				
CLUTCH & TRANSMISSION				
Clutch or Disc R&R				

3 Speed				
4 Speed exc.				
426 Eng.				
440 Hi Perf.				

Transmission R&R				
3 Speed				
4 Speed exc.				
426 Eng.				
440 Hi Perf.				

Auto. exc.				
426, 440 Hi Perf.				

Damper, Vibration				
w/225 Eng.		2806211	2.0	23.64
w/318 Eng.		2658458	#.9	24.36
w/383 Eng.		2658457	#.9	24.36
w/426 Eng.		2658871	1.3	44.91
w/440 Eng.		2658457	#.9	24.36

(#w/A.C. Add .4)

Pulley, Crankshaft (w/o A.C.)				
w/225 Eng.				
w/o P.S., w/L-N Alt.	*2	2264449	#1.1	4.19
w/P.S.	*1	2205518	#1.1	4.19

w/318 Eng.				
w/o P.S.	*1	1821411	#.9	3.99
w/P.S.	*2	1855152	#.9	5.75
w/L-N Alt.	*4	2532248	#.9	36.28

w/383-440 Eng.				
w/o P.S.	*1	1821449	#.9	3.99
w/P.S.		2946789	#.9	5.82
w/L-N Alt.	*3	2806637	#.9	13.26

w/426 Eng.				
w/P.S.		2946713	#.9	9.54

Pulley, Crankshaft (w/A.C.)				
w/318 Eng.				
w/L-N Alt.	*4	2463334	#.9	34.55
w/383-440 Eng.		2951122	#.9	12.16

*1-1 Groove. *2-2 Groove. *3-3 Groove. *4-4 Groove.				
#Exc. w/Radiator Removed - 6 Cyl. .5, V8 .2.				

Insulator, Eng. Supt. Front				
w/225 Eng.				
Rt.		2806476	.6	5.10
Lt.		2658283	.6	5.25
w/318-383-440 Exc. S/W	(2)	2536121	1.0	5.80
w/318-383 Eng. S/W	(2)	2863735	1.0	5.80
w/426 Eng.				
Rt.		2532708	1.3	5.80
Lt.		2468184	1.8	6.89

Insulator, Eng. Supt. Rear				
All exc. 426 Eng.		2533145	.6	6.05
w/426 Eng.		2660673		7.55

Cont'd.

OCTOBER 1, 1974

DODGE

CORONET & CHARGER 1969

**COOLING & ENGINE, Cont'd.**

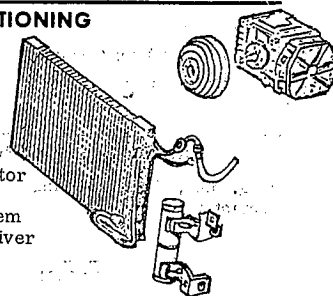
**UNDER HOOD ITEMS**

**ENGINE, Cont'd.**

Bracket, Eng. Supt. Front w/225 Eng.	Rt. 2806479	#	2.69
	Lt. 2532277	#	2.39
w/318 Eng.	Rt. 3418394	#	2.64
	Lt. 2806025	#	3.12
w/383-440 Eng.	Rt. 2536132	#	2.51
	Lt. 2863751	#	4.71
w/426 Eng.	Rt. 2780672	#	10.01
	Lt. 2780673	#	10.01
# 3 w/Mounts Removed.			
Crossmember, Eng. Rear Supt. & Trans. Mounting			
All exc. w/4 Spd. Trans.	2881938	#.4	13.32
w/4 Spd. Trans.	2530668	#.4	13.32
#Includes R&R Insulator.			
Cover, Timing Case(w/A.C. Add. 5)			
w/225 Eng.	2863126	2.3	9.73
w/318 Eng.	1944773	3.0	25.55
w/383-426-440 Eng.	3698614	#	11.88
#383 Eng. 2.4, 426 Eng. 3.9, 440 Eng. 2.4			
Oil Seal, Timing Cover			
w/225 Eng.	2899531	#	2.30
w/318 Eng.	3751235	#	2.30
w/383-426-440 Eng.	2536481	#	2.50
#Use Cover Time.			
Gasket, Timing Cover			
w/225 Eng.	1947554		.58
w/318 Eng.	2129012		.69
w/383-426-440 Eng.	2264794		1.10
Oil Pan, Engine			
w/225 Eng.	3614264	2.7	23.75
w/318 Eng.	3614227*	1.9	24.00
w/383-440 Eng.	2863892	2.3	25.89
w/426 Eng.	3671852	2.3	24.00
(*Use 3514157 Gasket Set)			
Gasket, Oil Pan			
w/225 Eng.	2240647		4.15
w/318 Eng.	1879520		2.75
w/383-426-440 Eng.	2658685		1.50
Oil Filter			
Sealed Can Type (PH8)	1851658	.3	4.63
Cartridge Type (w/Cart.)	2532756	.3	9.17
Cartridge, Oil Filter (CH240)	2532752	.3	3.60
Fuel Pump			
w/225 Eng.	2932798	.5	14.26
w/318 Eng.	3744806	.7	14.90
w/383 Eng.	3621675	.7	13.05
w/426 Eng.	2585118	.7	13.16
w/440 Eng.	3004107	.7	13.28

**AIR CONDITIONING**

R&R Does Not Include  
Evacuate & Recharge System 1.4  
Capacity of System  
3 Lb. 2 Oz. to 3 Lb. 6 Oz.  
Refrigerant - Freon 12  
If all A/C refrigerant has been lost by collision damage the receiver-dehydrator should be replaced. Replacement of collision damaged A/C parts on a system still pressurized may not require receiver dehydrator renewal.



Condenser			
w/225 Eng.	2936779	1.2	98.99
w/318-383-440 Eng.	2936780	1.2	103.94
Compressor w/o Pulley	3609284	1.2	127.39
Bracket, Comp. Mounting			
w/225 Eng. Front	2264865		6.53
w/318 Eng. Front	2806687		3.99
	2463149		2.37
w/383 Eng. Front	2899526		4.19
	2951809		2.61
w/440 Eng. Front	2899526		4.19
	2899961		2.61
Clutch w/Pulley & Hub			
w/225 Eng. 6-5/8" O.D.*	2521824	.7	62.95
w/318 Eng. 7-1/4" O.D.**	2521923	.7	69.90
w/383-440 Eng. 6-1/4" O.D.**	2936767	.7	68.50
*1 Groove. **2 Groove.			

**COOLING & ENGINE, Cont'd.**

**UNDER HOOD ITEMS**

**AIR CONDITIONING, Cont'd.**

Field Coil, Clutch-Warner	3502324	.7	31.40
Pitts	2485847	.7	34.05
*1-1/4 x 4-13/16" **1-1/4 x 4-9/16"			
Bearing, Clutch	1769318	1.0	19.65
Pulley, Comp. Drive w/225 Eng.	2202794		4.19
Pulley, Comp. Idler	2953165		11.57
Roller, Idler Pulley	2206022		11.57
Fan Belt, Eng. to Comp.			
w/225-318 1/2 x 50"	3418384	#	6.80
Fan Belt, Eng. to Alt. to Comp.			
w/318 Eng.			
w/L-N Alt. 15/32 x 58-1/4"	2658352	#	10.03
w/383-440 3/8 x 61"	2951278	#	11.26
w/383 Eng.			
w/L-N Alt. 3/8 x 66"	2951159	#	12.13
#R&R Any Outside Belt 3, Ea. Add'l. Belt Add. 1.			
Gas Seal, Comp. Crankshaft	1426501	1.3	6.95
Receiver Drier w/Sight Glass	3441244	1.3	21.50
Valve, Pressure Regulator	3555995		27.13
Valve, Expansion	2932843	1.0	36.65
Motor, Blower	3420950	.8	31.30
Refrigerant (Freon 12) (1 Lb. Can)	3837730		1.78

**HEATER PARTS**

Motor, Blower	2837820	2.6	26.10
Hose, Heater (5/8" I.D.) *	1315466	.3	1.47
*Part No. is for 50 Ft. Roll. Price is Per Ft.			

**HOOD**

Refinish Hood		2.5	
1. Panel, Hood			
Deluxe, 440 & 500 *	2934368	1.0	108.55
Super Bee & R/T **	2934367	1.0	119.00
***	3417096	1.6	119.00
Super Bee w/Six Pack	3412056		333.36
All Charger	2934893	1.1	114.27
*Flat Top Hood. **w/Power Bulge in Center. ***w/Holes for Functional Twin Air Scoops.			
Bracket, Hood Retaining			
Super Bee w/Six Pack	3412415		5.36
Pin (Stud) Holddown Lock			
Super Bee w/Six Pack	3412411	(D)	2.67
Extension, Hood Front Lip	2898314		5.82
Applique (Black Tape) Charger			
Outer	(2) 2785894-5		.39
Inner	(2) 2785871		.39
Ornament, Power Bulge	2786712-3		8.56
2. Hinge, Hood	3454154-5		7.77
3. Spring, Hinge			
21-3/4 Coils Yellow	2999448		2.43
25-1/4 Coils Red	2862050		2.43
4. Latch (Lock), Hood	3695858	.3	6.22
5. Handle, Latch Release			
All exc. Charger	2935357		1.56
Charger	2935361		1.56
Charger 500	2836988		1.83
Link, Latch Release			
All exc. Charger	2935529		.53
Charger	2945470		.59
2486697		.2	.59
6. Striker, Latch			
All exc. Charger	2935367	.2	2.55
Charger	2935372	.2	2.68
Handle, Safety Catch (Charger)	2862025		2.04
8. Spring, Hood Release Pop-Up	2862433		.24
Spring, Latch to Pawl	2428125		.18
Seal, Upper X-Mbr. to Hood	2786182		2.37
9. Seal, Hood to Cowl	2582705		2.06
10. Silencer, Hood-Panel	2898994		5.82
Fastener, Silencer	(22) 6001798		.13
Vertical Supt., Hood Latch	- See Grille Section.		

Cont'd.

Cont'd.

CORONET & CHARGER 1969

DODGE

OCTOBER 1, 1974

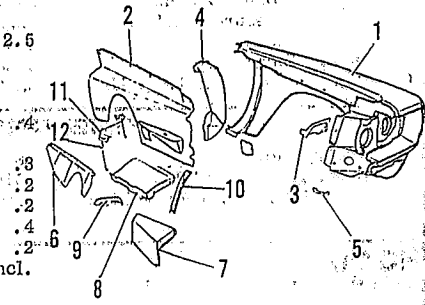
HOOD, Cont'd.

RAM CHARGER AIR INDUCTION  
(HOOD CARBURETOR TWIN AIR SCOOPS)

Air Scoop, Hood Outer	3443426-7	#	36.28
#R&R Only .5, Install Incl. Cut & Drill	1.0.		
Bezel, Air Scoop	2949146-7		4.19
Numeral, Air Scoop "383"	3613277		2.09
"440"	3613278		3.68
N/Plate, Air Scoop "Heml"	N.A.		N.A.
Duct, Air Intake Center	2998461		8.77
Outer	2998452-3		30.06
Seal, Air Intake Duct Lower	2949233		17.58
Upper	2998456		.53
Ctr. Duct	2998458		.94
Cable, Duct Air Control Doors	2949229		1.11
Control, Air Intake	2949222		4.31

FRONT FENDER

Refinish Fender 2.5  
Inner Side Shield R&R is w/Fender Removed  
Add to Fender R&R for Antenna to Drill for & Install One Mldg. Ea. Add'l. Mldg. Nameplate for Stripes to Drill for Turn Ind. Lamp Stripe Tape Time Does Not Incl. Removal of Old Stripe Tape.



1. Fender, Front			
All exc. Charger	2933666-7	#2.3	91.30
Charger	2933668-9	#2.5	91.30
#Time is w/Bumper Assy. Removed. Includes R&R & Align Headlamps. ##Time is w/Bumper Removed. R&R w/Grille Also Rem. 2.0, See Note Above for Add'l. Time.			
2. Shield, Fender Side	Rt. 2530984	#3.0	21.48
	Lt. 3404413	#3.0	21.48
#Time is w/Necessary Bolted Parts Rem. R&R w/Rad. Side Shield Removed 2.5.			
3. Splash Shield, H/Lamp			
All exc. Charger	2786218-9	.3	3.06
Charger	2898956-7	.3	3.99
Seal, H/Lamp Splash Shield *			
All exc. Charger Upper	2786211	.59	
Charger	2786428	.84	
Seal, H/Lamp Panel Side *			
All exc. Charger	2786220	.59	
*Not Shown.			
4. Shield, Fender to Dash	2861822-3		10.86
5. Brace, Fender to Face Bar			
All exc. Charger	2786935		1.18
Bracket, Upper X-Mbr.			
All exc. Charger	2949264-5		1.36
Bracket, Lwr. X-Bar to Fender *			
Charger	2786389		1.38
*Not Shown.			
6. Shield, Frt. Susp. X-Member	3642974-5	.3	2.49
7. Shield, Lower Splash	Lt. 3583003		4.80
8. Tray, Battery	3642999		4.05
9. Brace, Tray	2800647		.53
10. Strut, Tray to Side Shield	2768348		.99
11. Strap, Battery Holddown	1828352		2.15
12. Stud, Holddown	Outer 2534815		.39
	Inner 2074089		.39
Antenna, Radio (Manual)	2889826	.3	7.31
Mast, Antenna	31" 3513745		4.25
	76-1/2" 2889934		6.54

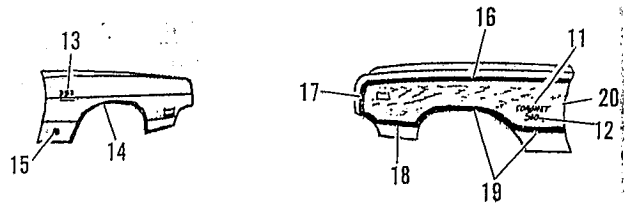
MOULDINGS & TRIM

Pkgs. Include Attaching Parts.



FRONT FENDER, Cont'd.

MOULDINGS & TRIM, Cont'd.



CORONET & DELUXE 2-4 DR. & S/W

1. Mldg. Pkg., Side	3419001	.3	5.04
2. Nameplate, Side "Coronet"	3504801	.3	2.74
3. "Deluxe"	2579701	.3	1.58
4. Pentastar	2785540		1.04

440 2-4 DR., 2 DR. H. T. & S/W

5. Nameplate, Side "Coronet"	3504801	.3	2.74
6. Numeral, Side "440"	3570343	.3	1.88
7. Mldg. Pkg., Side Front			
All exc. S/W	3419046-7	.3	3.93
8. Mldg. Pkg., Wheel Opening			
All exc. S/W	2901782-3	.3	4.20
S/W Front	2932286-7	.3	16.93
Rear & Side	2932288-9	.3	12.95
9. Mldg. Pkg., Side Rear	3419048-9	.3	3.93
10. Pentastar	2785540		1.04

CORONET 500 4 DR., 2 DR. H. T. & CONV.

11. Nameplate, Side "Coronet"	3504801	.3	2.74
12. Numeral, Side "500"	3504810	.3	1.64
7. Mldg. Pkg., Side Front	3419052-3	.3	4.92
8. Mldg. Pkg., Wheel Opening	2901782-3	.3	4.20
9. Mldg. Pkg., Side Rear	3419054-5	.3	4.92
10. Pentastar	2785540		1.04

SUPER BEE 2 DR. & 2 DR. H. T.

13. Nameplate, Side "383-4 Barrel"	2579804	.3	3.66
14. Mldg. Pkg., Wheel Opening	2932284-5	.3	7.78
15. Pentastar	2785540		1.04

CORONET R/T 2 DR. H. T. & CONV.

14. Mldg. Pkg., Wheel Opening	2932284-5	.3	7.78
15. Pentastar	2785540		1.04

CHARGER & CHARGER 500 2 DR. H. T.

14. Mldg. Pkg., Wheel Opening	2786600-1	.3	5.67
15. Pentastar	2785540		1.04

CHARGER R/T 2 DR. H. T.

14. Mldg. Pkg., Wheel Opening	2932284-5	.3	7.78
15. Pentastar	2785540		1.04

CORONET 500 S/W

16. Mldg. Pkg., Side Upper	2932294-5	.3	5.04
17. Mldg. Pkg., Front (Upper to Lower)	2932292-3	.2	4.61
18. Mldg. Pkg., Side Lower Front	2932290-1	.2	10.14
19. Mldg. Pkg., Whl. Opng. & Side Rr.	2932288-9	.3	12.95
20. Wood Grain Overlay	2965447	#	21.18
# 1.5 w/Mldgs. Removed & After Painting.			
11. Nameplate, Side "Coronet"	3504801	.3	2.74
12. Numeral, Side "500"	3504810	.3	1.64
Pentastar	2785540		1.04

OCTOBER 1, 1974

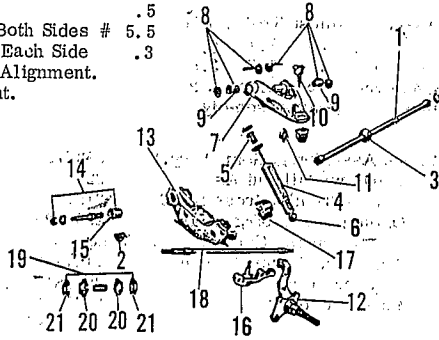
DODGE

CORONET & CHARGER 1969

FRONT SUSPENSION

Check and Adjust

- Caster, Camber, Toe-In & Height 1.5
- Toe-In Only .5
- O/H One Side #3, 5, Both Sides # 5.5
- #w/Disc Brakes Add Each Side .3
- R&R Does Not Include Alignment.
- O/H Includes Alignment.



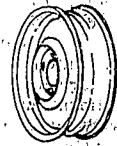
Hub & Drum, Front			
10 x 2-1/2" Buddor Mtr. Wheel	3580704-3549845	7	37.86
11 x 3" Mtr. Whl. "L35919"	2781564-3580547	7	46.33
Kelsey Hayes	3549846-7	7	46.33
Hub & Brake Disc (Disc Brakes)	2944954-5	9	48.17
Bearing Cone, Wheel Outer	1619703	#	2.08
Inner	1619701	#	2.73
Bearing Cup, Wheel Outer	1619702	#	1.05
Inner	1619700	#	1.23
Oil Seal, Front Wheel			
w/10" Brakes	2808267	#	1.90
w/11" Brakes	2808269	#	2.15
w/Disc Brakes	N.A.	#	N.A.
#R&R Bearings, Cups or Seals .7, exc. w/Disc Brakes .9.			
Support (Backing Plate), Brake			
w/10" Brakes	2880532	1.4	12.02
w/11" Brakes	2880534	1.4	13.60
Splash Shield, Disc Brake	2823227	1.1	2.93
Housing w/Shoes, Disc Brake	2925222		67.58
Hose, Brake			
w/10 or 11" Brakes	2208495	#	3.52
w/Disc Brakes	2852030	#	4.25
#One .5, Both .8, including Bleed Brakes.			
1. Torsion Bar (Standard)			
w/225 Eng. exc. Pol. & Taxi	1857774-5	.9	17.60
Police & Taxi	1857778-9	.9	17.60
w/318-388 exc. S/W, S/Bee, Chg.	1857776-7	.9	17.60
S/W	1857774-5	.9	17.60
S/Bee & Charger	1857778-9	.9	17.60
All w/426-440 Eng.	1857780-1	.9	17.60
V8 Police S/W & Taxi	1857778-9	.9	17.60
2 1/4 Dr.	1857780-1	.9	17.60
Torsion Bar (Heavy Duty)			
All exc. w/426-440 Eng.	1857778-9	.9	17.60
w/426-440 Eng.	1857780-1	.9	17.60
Torsion Bar (Extreme Duty)	1857780-1	.9	17.60
2. Bolt & Swivel Pkg., T/Bar Adj.			
Standard exc.	2275468		2.14
S/Bee, Chgr. & w/426-440 Eng.	2275469		2.14
Police & Taxi	2275469		2.14
Heavy Duty	2275469		2.14
3. Seal, Rear Anchor	2071173		.52
Lock, Rear Anchor	1671446		.13
4. Shock Absorber w/Bshgs. (All)	3683992	.7	14.90
5. Bshg. (Only), Shock Upper	2206923		.52
6. Lower	1635588		.74
7. Arm (Only), Upper Control	1857856-7	#1.6	8.57
8. Cam & Bshg. Pkg., Inner	2084920	#1.7	8.33
#w/Disc Brakes Add .3.			
9. Bshg. (Only), Inner	2071204		2.60
Bracket, Upper Arm Mtg. * Rt.	2467982		14.32
Lt.	2204185		14.32
*Also Listed in Frame Section.			
10. Ball Joint Pkg., Upper	2298534	1.2	13.35
11. Bumper, Upper Arm	2535204	.4	.72
12. Knuckle, Steering w/Std. Brakes	1858084	1.3	48.85
w/Disc Brakes	2535072-3	1.6	46.49

FRONT SUSPENSION, Cont'd.

13. Arm w/Shaft, Lower Control			
Use w/o Sway Bar	2535878-9	#1.7	26.60
Use w/Sway Bar	2535368-9	#1.7	26.60
#w/Disc Brakes Add .3.			
14. Shaft w/Nut & Washer, Lwr. Arm	2808579		5.98
15. Bushing (Only), Shaft	1858024		1.96
16. Strg. Arm & Ball Joint Pkg., Lwr.	3514954-5	#1.3	23.30
#w/Disc Brakes Add .3.			
17. Bumper, Lower Arm	2535027		.97
18. Strut, Lower Arm	2462585	#1.7	9.86
#w/Disc Brakes Add .3.			
19. Bshg. & Ret. Pkg., Strut	2808664		2.22
20. Bshg. (Only), Strut Front	2462740		.66
Rear	2462741		.59
21. Retainer (Only), Bshg. (4)	2207322		.39
Sway Bar (or Shaft) (Complete)	2462885	8	26.08
Link, Insulator (2)	2535188	.5	4.45
Insulator, Link (8)	2071604		.39
Crossmember, Front Suspension	See Frame Section.		

WHEEL

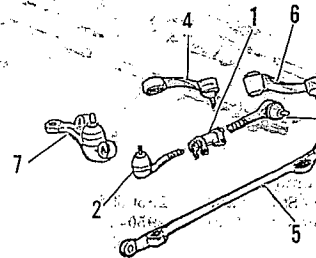
Refinish Wheel .5



Wheel			
14 x 5.00	3621952	.3	16.75
14 x 5.50	3621953	.3	17.10
14 x 5.50 Chrome	2823840	.3	51.64
15 x 6.00	3580063	.3	23.38
Cover, Wheel			
w/Dome 14"	2823004		16.94
w/Dome "Dodge Division" 14"	2881764		17.20
w/Applique (Dodge Emblem) 14"	2881779		24.06
w/Emblem (Simulated Mag.) 14"	2944092		36.94
15"	2881753		17.33
Dome, Cover			
"Dodge Division"	2881762		2.74
Use w/Chrome Wheel	2823842		4.60
Retainer, Dome	2823845		.66
Applique, Cover			
w/Dodge Emblem	2881777		2.43
Hub Cap 14"	2783007		7.38
15"	2944089		7.65
Trim Ring			
Use w/14" Chrome Wheel	2944161		14.00

STEERING LINKAGE

R&R Does Not Include Align  
Adjust Toe-In .5

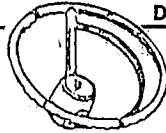


1. Tube, Tie Rod	2072437		2.10
End Pkg., Tie Rod			
2. Outer (R. H. Thread)	3004790	#	8.05
3. Inner (L. H. Thread)	3004791	#	8.05
#One .3, Two-One Side .5.			
4. Arm, Idler	2535886		12.65
5. Link, Center	1858015		13.32
6. Arm, Steering Gear	2948586		12.29
7. Strg. Arm w/Lower Ball Joint	See Front Suspension.		

Cont'd.

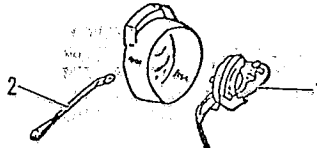
STEERING GEAR

WHEEL & TRIM



Wheel, Steering						
Horn Button Type	Black	Blue	Red	Tan		
	4018DX9 - EB8 - ER8 - ET8				.7	27.13
	Wood Grain		4016DTT		.7	47.26
Horn Ring Type	Black Only		4007CX9		.7	28.37
	Blue	Green	Gold	Red	Tan	
	4008EB7 - EF8 - EY4 - ER8 - ET8				.7	29.80
Ring, Horn Blowing						
Partial	Up to 3-3-69	2950495			.3	6.23
Full	Up to 11-1-68	2883383			.3	8.40
	After 11-1-68	2925488			.3	11.05
w/Pad	Blue	Green	Red	Tan	Black	Gold
*	4043EB7 - EF8 - ER8 - ET8 - EX9 - EY4					12.86
**	4044EB7 - EF8 - ER8 - ET8 - EX9 - EY4					15.11
	*w/Partial Ring. **w/Full Ring.					
Pad or Cap, Full Horn Ring						
	Blue	Green	Red	Tan	Black	Gold
*	4048EB7 - EF8 - ER8 - ET8 - DX9 - EY4					14.00
**	4046EB7 - EF8 - ER8 - ET8 - DX9 - EY4					5.17
	*Pad Up to 3-3-69. **Cap w/3 Spoke Wheel.					
Button or Cap (Padded), Horn						
	Blue	Green	Red	Tan	Black	Gold
*	4071EB7 - N.A. - N.A. - ET8 - EX9 - N.A.					5.04
**	4047EB7 - EF8 - ER8 - ET8 - DX9 - EY4					6.13
	*w/o Wood Grain. **w/Wood Grain Wheel.					
Ornament, Button or Pad						2.28
Retainer, Horn Ring						1.11
Retainer, Horn Button						
Exc. w/Wood Grain Wheel		2852491				1.25
w/Wood Grain Wheel		2925135				2.31
Switch, Horn						
w/o Full Horn Ring		2822126				1.20
w/Full Horn Ring		2771534				1.20

DIRECTIONAL SIGNAL & PARTS



1. Switch, Turn Signal	2771802	1.6	6.25
2. Lever w/Knob w/o Spd. Cont.	2947963	.5	2.43
	w/Spd. Cont. * 2857525	2.0	34.36

\*Incl. Spd. Cont. Switch.

COLUMN PARTS

Column Assy.	R&R #O/H		
w/Column Shift	1.6	2.5	
w/Floor Shift	1.5	2.4	
#Includes R&I Assembly.			
1. Jacket, Steering Column			
	w/Column Shift w/Std. Trans.	2950594	28.25
	w/Auto. Trans.	2950414	26.90
	w/Floor Shift	2950596	26.90
2. Lever w/Knob, Column Gearshift			
	w/Std. Trans.	2883438	8.82
	w/Auto. Trans.	3575005	7.18
3. Tube, Column Gearshift			
	w/Column Shift w/Std. Trans.	2925357	17.27
	w/Auto. Trans.	2950363	17.27
	w/Floor Shift	2925361	16.45
4. Shaft, Steering Column			
	w/Std. Steering	2880173	18.82
	w/Power Steering	2996755	18.82
Coupling Body, Shaft			
	w/Std. Steering	3579521	.9
	w/Power Steering	3579522	.9

Cont'd.

STEERING GEAR, Cont'd.

GEAR - MANUAL



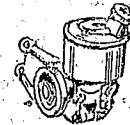
Gear Assy.	Adjust R&R #O/H		
6 Cyl.	.8	1.1	2.6
V8 exc. 426	.8	1.3	3.0
V8 w/426 Eng.	.8	1.6	3.2
#Includes R&I Gear Assembly.			
Chuck Assy. (Strg. Gear Assy.)	2537726		76.08
Worm w/Ball Nut Assy.	2267454		37.07
Shaft & Tooth (Cross Shaft)	2127104		21.50
O/Haul Pkg., Strg. Gear *	2808420		9.59
*Bearings, Cups, Seals, Gaskets & Shims.			
Adjuster, Worm Bearing	2127146		7.92
Housing, Gear	2948812		37.84
Cover, Cross Shaft	2267152		10.65

GEAR - POWER



Gear Assy.	Adjust R&R #O/H		
Power Strg.	.6	2.0	5.0
#Includes R&I Gear Assembly.			
Chuck Assy. (Strg. Gear Assy.)	2537736		223.68
All exc. w/426 Eng.	2537737		213.03
w/426 Eng.	2948855		41.97
Worm w/Piston	2537775		23.46
Shaft & Tooth (Cross Shaft)	3579524		12.12
"O" Ring, Seal & Gskt. Pkg.	2948801		1.70
Bearing, Strg. Cross Shaft (2)	2126946		12.02
Head, Housing			
Valve, Gear (on Housing)			
All exc. w/426 Eng.	2537390		(D) 16.85
w/426 Eng.	2537391		(D) 17.35
Housing, Strg. Gear	3579525		52.29
Cover, Cross Shaft	3579510		9.81

PUMP - POWER



R&R Pump Assy.	1.5		
O/H Including R&R	1.9		
Pump Assy. w/o Pulley			
w/225 Eng.	3004801		92.10
w/318-383-440 Eng.	* 2891196		88.77
w/318-383-440-426 Eng.	** 3004800		92.96
* w/Key Slotted Shaft. w/Oval Filler Tube Reservoir.			
**w/Threaded Hole Shaft w/Round Filler Tube Rsvr.			
Reservoir w/Filler	* 2891156	8	5.86
	** 2537836	8	12.23
Cap, Reservoir Filler	* 2267694		1.43
	** 2891284		2.88
*w/Round Filler Tube. **w/Oval Filler Tube.			
Pulley, Pump			
w/225 Eng.	2951157	6	4.45
w/Key Slotted Shaft			
w/318 Eng.	2951029	6	4.84
w/383-440 Eng.	2951203	6	4.84
w/Threaded Hole Shaft			
w/318 Eng.	3418245	6	4.61
w/383 Eng. w/L-N Alt.	2951207	6	10.03
w/426 Eng.	2951207	6	10.03
Fan Belt, Eng. to Pump			
w/225 Eng.	13/32 x 40-3/4"	1558426	# 4.27
w/318 Eng.	1/2 x 42"		
	w/o A.C.	1678280	# 5.11
	42 1/2" w/A.C.	2402934	# 5.11
w/383-440	1/2 x 40-3/4"	3462030	# 5.05
	43"	3419000	# 4.47
	44"	2951202	# 4.59
w/426 Eng.	39-1/2"	2268386	# 4.68
*Also Listed in Cooling & Engine Section.			
#R&R Any Outside Belt .3, Ea. Add'l. Belt .1.			
Hose, Pressure			
w/225 Eng.	3004835	3	11.13
V8 exc. w/426 Eng.			
w/Key Slotted Shaft Pump	2891078	3	11.34
w/Threaded Shaft Pump	3004833	3	11.13
w/426 Eng.	3004893	3	11.13
Hose, Return	2537699	2	1.33

Cont'd.



OCTOBER 1, 1974

DODGE

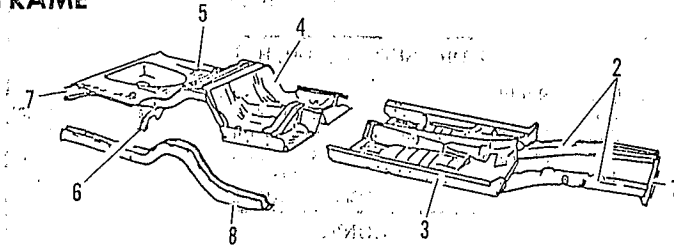
## CORONET & CHARGER 1969

### STEERING GEAR, Cont'd.

#### PUMP - POWER, Cont'd.

Bracket, Pump Mounting				
w/225 Eng.	3418930	#	1.70	
(to Engine)	2468011	#	2.37	
w/318 Eng.				
w/Key Slotted Shaft Pump Frt.	2806197	#	2.93	
Rr.	2806198	#	1.70	
w/Threaded Shaft Pump Frt.	2206191	#	2.06	
Rr.	2951257	#	1.76	
w/383-440 Eng.				
w/Key Slotted Shaft Pump Frt.	2951196	#	2.49	
Rr.	2951198	#	1.88	
w/383-440-426 Eng.				
w/Threaded Shaft Pump	2951126	#	2.37	
# .3 w/Pump Removed.				

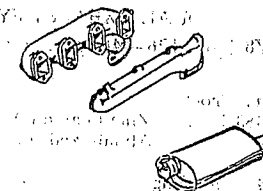
### FRAME



1. Crossmember, Front	2576505	#	1.7	20.07
#w/Bolted Parts Removed.				
Crossmember, Frt. Susp. (Complete)				
w/225 Eng.	2962092	#5.0		77.93
w/318-383-440 Eng.	3466479	#5.0		87.86
w/426 Eng.	2962094	#5.0		83.68
#Includes Transfer All Assys., but Not O/H Assys. or Align				
Wheels. Add to O/H One Knee	2.5, Both Knees	4.5		
Brace, Front X-Member				
to Front Susp. X-Member	2530683			2.49
2. Rail, Side Front (Complete)	2576506-7	#	7.5	65.88
#Time is w/Front Fender and Side Shield Removed.				
Reinf., Side Rail Front	2530666-7			1.50
to Side Sill Inner	2527104-5			5.17
Bracket, Side Rail				
(Upr. Cont. Arm Mtg.) Rt.	2467982			14.32
Lt.	2204185			14.32
*Also Listed in Front Suspension Section.				
Splash Shield, Frt. Susp. X-Mbr.				
to Front Side Rail	3642974-5			2.49
Crossmember, Eng. Rear Supt.				
& Transmission Mtg. *				
All exc. w/4 Spd. Trans.	2881938	#.4		13.32
w/4 Speed Trans.	2530668	#.4		13.32
*Also Listed in Engine Section. #Includes R&R Insulator.				
2900800				50.93
3. Pan, Front Floor				
4. Pan, Center Floor				
All exc. S/W	3445440			44.83
S/W	3440823			44.83
Extension, Center Flr. Pan Front	2900856-7			10.21
5. Pan, Rear Floor				
All exc. S/W	2838707	#		43.27
S/W				
Front	2860810			20.79
Rear	2895348			50.93
#R&R w/One Quarter & Back Panel Rem. 8.0				
w/Both Quarters & Back Panel Rem. 7.0.				
Extension, Rear Flr. Pan Side				
S/W	2860142-3			9.09
6. Crossmember, Rr. Flr. Pan				
Rear Shock Absorber	2934451			17.71
7. Crossmember, Rr. Flr. Pan Rear				
All exc. S/W	2859282	#	2.0	10.38
S/W	2860356	#	2.0	10.86
#w/Necessary Bolted Parts Removed.				
Extension, Rr. Flr. Pan Rr. X-Mbr.				
All exc. S/W	2840536-7			2.17
S/W	2860296-7			3.80
8. Side Rail, Rear				
All exc. S/W	2934602-3	#	7.5 (D)	47.25
S/W	2934604-5	#	7.5	65.88
#w/Necessary Bolted Parts Removed.				

### EXHAUST

Replace Exhaust System \*  
 6 Cyl. 1.0  
 V8 Single 1.2, Dual 2.2  
 \*Includes R&R Clamps or Supports as Necessary.  
 If Necessary to Cut Any Pipe  
 Add: .31



#### SINGLE EXHAUST SYSTEM 6 CYL.

Manifold, Exhaust	3744829		2.7	36.35
Exhaust Pipe				
w/Std. Trans.	3404899		.9	17.20
w/Auto. Trans.	2883900		.9	15.69
Clamp Pkg., Exh. Pipe to Muffler	1843010			.58
Muffler				
Zinc Coated	2781264		.8	19.70
Aluminized	2781263		.8	23.70
Tail Pipe				
All exc. S/W	2856224		.6	8.40
S/W	2643597		.6	9.87
Support w/Insul., T/Pipe				
Front	2823452			1.89
Rear				
All exc. S/W	3404846			2.01
S/W	3404860			3.33
Clamp Pkg., T/Pipe Rear Supt.	2240311			.64

#### V8 (318-383) 2 BBL. CARB.

Manifold, Exh.				
w/318 Eng. Rt.	2843966		.9	31.40
Lt.	2465718		.8	31.40
w/383 Eng. Rt.	2532459		1.0	33.65
Lt.	2532625		.9	31.40
Exhaust Pipe				
w/318 Eng.	2643506		1.0	19.40
w/383 Eng.	2643514		1.0	23.50
Ext., Exh. Pipe				
w/318 Eng.	2925643		1.0	8.48
w/383 Eng.	2925768		1.0	8.85
Muffler				
w/318 Eng.				
Zinc Coated	2781266		.8	19.70
Aluminized	2781265		.8	27.90
w/383 Eng.				
Zinc Coated	2883912		.8	19.70
Aluminized	2925771		.8	27.10
Tail Pipe				
w/318 Eng.				
Exc. S/W	2856286		.6	7.60
S/W	2643607		.6	10.62
w/383 Eng.				
Exc. S/W				
Up to 10-15-68	3404001		.6	11.47
After 10-15-68	3404001		.6	11.47
S/W				
Up to 10-15-68	2883863		.6 (D)	15.54
10-15-68 to 11-15-68	3404002		.6	18.49
After 11-15-68	3404042		.6	12.61
Support w/Insul., T/Pipe				
Front				
w/318 Eng.	2823458			1.89
w/383 Eng.	2883873			1.94
Rear				
Exc. S/W	3404846			2.01
S/W	3404860			3.33
Clamp Pkg.				
Exh. Pipe to Ext.				
w/318 Eng.	2883916			.69
w/383 Eng.	2883919			.98
Ext. to Muffler				
w/318 Eng.	1843008			.69
w/383 Eng.	1603364			.92
T/Pipe Rr. Supt.				
w/318 Eng.	2279897			.64
w/383 Eng.	2240312			.64

#### DUAL EXHAUST SYSTEM

#### V8 (383-426-440) 1 or 2-4 BBL. CARB.

Manifold, Exhaust				
w/383 Eng.				
Rt.	2806898		1.0	34.35
Lt.	3751067		.9	45.85
w/426 Eng.				
Rt.	2780506		2.7	121.09
Lt.	3418452		2.4	101.78
w/440 Eng.				
Rt.	2806898		1.0	34.35
Lt.	3751067		.9	45.85
Exhaust Pipe				
w/383 Eng.				
Rt.	2883852			15.00
Lt.	2883855			15.00
w/426 Eng. ("H" Shaped)	2781270			54.58
w/440 Eng. ("H" Shaped)	2856284			49.16
w/426 Eng. (to Intake Manifold)	2781278		.7	8.82

Cont'd.

**CORONET & CHARGER 1969**

DODGE

OCTOBER 1, 1974

**EXHAUST, Cont'd.**

**DUAL EXHAUST SYSTEM, Cont'd.**  
V8 (383-426-440) 1 or 2-4 BBL. CARB., Cont'd.

Muffler, Front					
w/383 Eng.	Zinc Coated (2)	2883912	.9	19.70	
	Aluminized Rt.	2883910	.9	29.80	
	Lt.	2883911	.9	27.10	
w/426-440 Eng.	(2)	2781300	.9	34.10	
Muffler, Rear w/426 Eng.	(2)	2883923	.9	25.41	
Tail Pipe					
w/383-440	Exc. S/W				
w/Noise Red. Pkg.	*	3404001-3	.6	11.71	
	**	3404001-3	.6	11.71	
w/383 Eng.	S/W	*	.6	17.64	
	**	3404002-4	.6	18.49	
w/426 Eng. (Betw. Mufflers)*	**	2856368-6	.6	7.40	
	**	3404011-2	.6	7.70	
w/440 Eng.					
w/o Noise Red. Pkg.	*	3404013-4	.6	10.10	
	*Up to 10-15-68.	**After 10-15-68.			
Support w/Insul., T/Pipe					
Front w/383 Eng.		2883873		1.94	
w/426-440 Eng.		2823464		2.98	
Rear w/383 Exc. S/W		3404846		2.01	
w/383 S/W	Rt.	3404860		3.33	
	Lt.	3404861		3.33	
Bracket, T/Pipe Frt. Supt. (Flr. Pan)					
w/383-426-440 Eng.	Lt.	2643623		.99	
Extension, T/Pipe					
Coronet R/T w/426-440 Eng.		2883829		11.51	
Charger w/426-440 Eng.		2883832		10.65	
Support, T/Pipe Extension					
Coronet R/T w/426-440 Eng.		2883845		2.30	
Charger w/426-440 Eng.		2883914		2.30	
Clamp Pkg.					
Int. Man. Exh. Pipe w/426 Eng.		2781273		.98	
Exh. Pipe to Muffler w/383 Eng.		1603364		.92	
	w/426-440	2883919		.98	
	w/383 Eng.	2240312		.64	
T/Pipe Rr. Supt.	w/426 Eng.	1603364		.92	
T/P to Rr. Muffler	w/426 Eng.	1603364		.92	
T/Pipe Extension		2883919		.98	

**WINDSHIELD, Cont'd.**

Panel, Sun Visor

	Black	Blue	Green	Red	Tan	White	Gold	
* 1112DX9 - EB7 - EF8 - ER7 - ET1 - EW1 - EY4								10.72
** 1109DX9 - EB7 - EF8 - ER7 - ET5 - EW1 - N.A.								10.72
	*Exc. Conv. **Conv.							
Arm & Bracket, Visor Panel								
Exc. Conv.					2999670-1			2.93
Conv. (Header Lock Catch) *					2842630-1			11.18
	*Also Shown in Conv. Top Section.							
Support, Visor Inner					3548913			2.74

---

**MOULDINGS & TRIM**

Pkgs. Include Attaching Parts.

4 DR. SED. & S/W

Mldg. Pkg., W/Shield				
Upper	2584699	#		5.82
Side	2585850-1	#		3.08
Lower	2585852-3	#		4.31
	#One .5, All .8.			

---

2 DR. SED. & 2 DR. H. T.

Mldg., W/Shield				
Upper	2811259	#		3.92
Side	Exc. Charger 500	2811260-1	#	2.18
	Charger 500	3412150-1	#	6.47
Lower		2811888-9	#	4.37
	#One .5, All .8.			

---

**CONV.**

Mldg. Pkg., W/Shield				
Upper	2586272-3	#		17.58
Side	2586274-5	#		7.60
Lower	2585852-3	#		4.31
	#One .5, All .8.			

**WINDSHIELD**

Add to Glass R&R to Check Opening .5



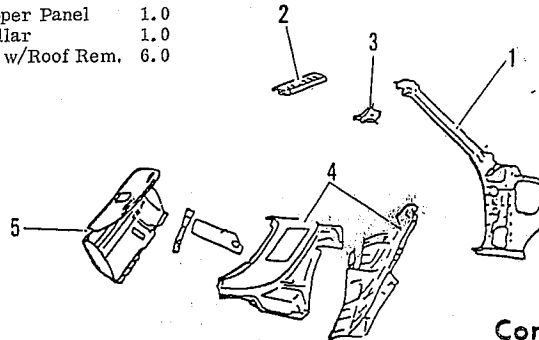
Glass, Windshield	(Glass Co.)		(Car Mfr.)	
4 Dr. & S/W				
Clear NAGS W672	Use	2570295	2.0	Use
Tinted		2570598		
2 Dr. & 2 Dr. H. T.	Glass		2.0	Glass
Clear NAGS W715	Price	2811265		Price
Tinted		2811266		
Conv.	List		2.0	List
Clear NAGS W671		2570605		
Tinted		2570606		
Weatherstrip, W/S Glass				
4 Dr. & S/W		2861217		15.16
2 Dr. & 2 Dr. H. T.		2811263		15.16
Conv.		2842790		16.13
Mldg., W/S Garnish				
Upper	4 Dr. & S/W	2570320		4.92
	2 Dr. & 2 Dr. H. T.	2811273		4.92
	Conv.	2842205		6.36
Upr. Cor.	Conv.	2842742-3		4.45
Side	4 Dr.	3762-3DX9		11.05
	S/W	3792-3DX9		11.05
	2 Dr. & 2 Dr. H. T.	3760-1DX9		11.05
	Conv.	3794-5DX9		5.61
Mirror, Inside Rear View				
Prismatic		2935490	.2	7.52
Bracket & Shaft, I. S. Mirror				
Painted	All exc. Conv.	2495208	(D)	1.56
Chrome	Conv.	2495206	(D)	8.97

**WIPER & WASHER PARTS**

Blade w/Refill, W/S Wiper				
4 Dr., S/W & Conv.		2822989		3.50
2 Dr. & 2 Dr. H. T.	Anco	2889962		3.50
	Trico	2822990		3.50
Refill (Only)				
4 Dr., S/W & Conv.	Anco	3431466		2.30
	Trico	2857904		2.30
2 Dr. & 2 Dr. H. T.	Anco	2771967		2.20
	Trico	2889964		2.20
Arm w/o Blade, W/S Wiper				
4 Dr., S/W & Conv.		2857903		5.50
2 Dr. & 2 Dr. H. T.		2822999		5.50
Pivot (thru Cowl), Wiper		2857920-1	.5	5.29
Motor, W/S Wiper				
2 Speed		2770090	#	48.81
3 Speed		2983116	#	47.39
	#1.0 exc. w/A.C. 1.5)			
Reservoir, W/S Washer		2889803	.3	3.41
Pump, W/S Washer				
Automatic Type		2809013	.3	10.65
Foot Pump Type		2932868	.3	6.93
Nozzle, W/S Washer		2889888	.2	1.18

**COWL and DASH**

Refinish Upper Panel 1.0  
Pillar 1.0  
R&R Pillar w/Roof Rem. 6.0



Cont'd.

Cont'd.

OCTOBER 1, 1974

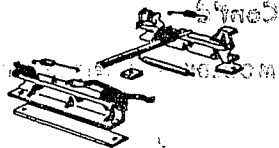
DODGE

CORONET & CHARGER 1969

**COWL AND DASH, Cont'd.**

1. Panel, Cowl Side (Includes Pillar)				
4 Dr. & S/W	2859942-3	#	73.59	
2 Dr. & 2 Dr. H. T.	2859136-7	#	73.59	
Conv.	Rt. 2576652	#	73.59	
	Lt. 2859951	#	73.59	
#R&R Complete w/Fender, Door & W/Shield Rem.	8.0,			
Cut Below Belt w/Fender & Door Removed	5.6.			
Panel, Dash (w/o A. C.)	2934772		46.12	
2. Frame, W/Shield				
Upr. Outer Conv.	2529827		10.86	
(Opening) Conv.	2859002		10.84	
Center	4 Dr. & S/W	# 1.5	18.89	
	2 Dr. & 2 Dr. H. T.	# 1.5	18.49	
	#w/Roof Removed.			
3. Extension, W/S Frame Upr. Corner				
4 Dr. & S/W	2861930-1		3.30	
2 Dr. & 2 Dr. H. T.	2861932-3		4.10	
4. Panel, Cowl Top & Plenum Chamber	2934364		117.54	
5. Panel, Instrument				
All exc. Super Bee & Chgr.*	2927580		88.19	
Super Bee (Rallye) *	2927582		83.99	
Charger (Rallye)	2927582		83.99	
*w/or w/o A. C. Rallye Type is Optional on Cor. R/T.				
Door, Glove Box (Padded)				
Trim Pad, Inst. Panel				
Upr. Black Blue Green Red Tan Gold	4203EX9 - EB7 - EF8 - ER8 - ET8 - EY8	2.6	42.87	
Lwr. Lt.				
Black Blue Green Red Tan Gold	4252DX9 - EB7 - EF8 (D) ER8 - ET8 - EY8	1.2	38.90	

**SEAT**



Adjuster, Seat (Manual)				
w/Bench Seat				
4 Dr. & S/W	2935778-9	#.6	12.57	
2 Dr., 2 Dr. H. T. & Conv.	2935774-5	#.6	12.57	
w/Split or Bucket Seats				
Drivers Side	Outer 2935783	#.6 (D)	10.26	
	Inner 2935781	#.6	11.97	
Passenger Side	Outer 2935782	#.6	11.97	
	Inner 2935780	#.6	11.97	
#R&R Both on One Seat	.9			
w/6-Way Seat (Drivers Side)	2999775		90.13	
Seat Belt, Front Seat				
Lap	Black Blue Green * Red			
Buckle Half	4762DX9 - EB9 - EF8 - EL4 - ER6		11.58	
Tip Half Rt.	4774DX9 - EB9 - EF8 - EL4 - ER6		8.38	
Lt.	4775DX9 - EB9 - EF8 - EL4 - ER6 (D)		10.96	
Shoulder				
4 Dr. & S/W	4786DX9(D)EB9 - EF8 - EL4 - N.A.	.3	12.16	
All 2 Drs.	4784DX9 - EB9 - EF8 - EL4 - ER6	.3	11.58	
Conv.	Black Only 4771DX9	.3	13.64	
Lap & Shoulder	4759DX9 EB9 - EF8 - EL4 - ER6	.6	15.44	
	*Champagne.			

**ROCKER PANEL**

Refinish 1.0

Cut & Splice under door(s) between pillars and within the flat section of door sill

One Door 2.5

Both Doors & Center Pillar 4.5

Inner Panel Time is w/Outer Panel Removed.

R&R Rocker Panel:

a. w/Hinge Pillar Removed 2 Drs. 3.5, 4 Drs. 4.5

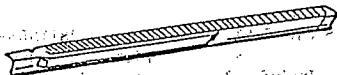
b. w/Lock Pillar Removed 2 Drs. 3.5, 4 Drs. 4.5

c. w/Both Pillars Removed 2 Drs. 2.5, 4 Drs. 3.5

Time Does Not Include Remove Front Fender.

Pkgs. Include Attaching Parts.

Panel, Rocker or Sill Outer			
4 Dr.	2840544-5	5.0	23.58
S/W	2860160-1	5.0	29.94
2 Dr., 2 Dr. H. T. & Conv.	2832282-3	4.5	23.58
Conv. (Complete)	2859300-1	6.0	49.49
Mldg. Pkg., Rocker or Sill			
Deluxe 2 Dr. & Coronet/R/T	2932180-1	.5	13.20
Dlx. S/W, Charger, Chgr. R/T	2933914-5	.5	13.07
Charger 500	2932184-5	.5	10.84
Panel, Rocker or Sill Inner			
Front	2842508-9	1.0	10.27
Rear	2527112-3	1.0	4.85
Scuff Plate, Door Sill			
2 Dr., 2 Dr. H. T. & Conv.	2789608	.2	6.08
4 Dr. & S/W	2789604	.2	5.36
Rear	2789606-7	.2	3.99



**FRONT DOOR**

Stripe Tape Time Does Not Incl. Removal of Old Stripe Tape.

Refinish O.S. 2.0

Jams, Add .5

Add to Door or Outer Panel R&R w/Mirror - Standard .4

Remote Control .7

w/Electric Lifts .6

to Drill for & Install .3

One Mldg. .3

Ea. Add'l. Mldg. .2

for Stripes .4

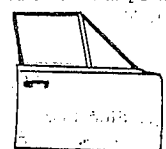
R&I Door Assembly 1.0 exc. w/Electric Lifts 1.3

R&I Trim Panel .4

SHEET METAL

Shell, Door			
4 Dr. & S/W	2859056-7	#3.2	158.05
2 Dr., 2 Dr. H. T. & Conv.			
Exc. Charger	2934462-3	#3.5	148.51
Charger	2934468-9	#3.5	148.51
Panel, Front Door Repair			
4 Dr. & S/W	2811294-5	#4.5	48.81
2 Dr., 2 Dr. H. T. & Conv.			
Exc. Charger	2859072-3	#4.5	50.80
Charger	2859078-9	#4.5	50.80

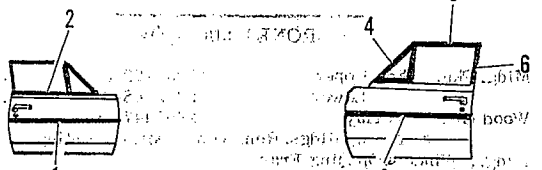
(#See Note Above for Additional Time)



**MOULDINGS & TRIM**

Pkgs. Include Attaching Parts.

1. Mldg. Pkg., Side	2933850	.3	4.24
2. Mldg. Pkg., Belt	2932098-9	.3	4.61
<b>CORONET &amp; DELUXE 4 DR. &amp; S/W</b>			
3. Mldg. Pkg., Side	2933836		3.93
Mldg., Window Opening Frame			
4. Front	2570750-1	#	1.79
5. Upr	2570752-3	#	2.11
6. Rear	2570754-5	#	1.68
	#R&R One or All	.3	
<b>SUPER BEE 2 DR. &amp; 2 DR. H. T.</b>			
2. Mldg. Pkg., Belt	2 Dr. 2932098-9	.3	4.61
	2 Dr. H. T. 2932096-7	.3	4.85



**CENTER PILLAR**

Refinish Complete 1.0

R&R Center Pillar

w/Roof or Rocker Rem. 3.5

w/Roof & Rocker Rem. 2.0

Pkgs. Include Attaching Parts.

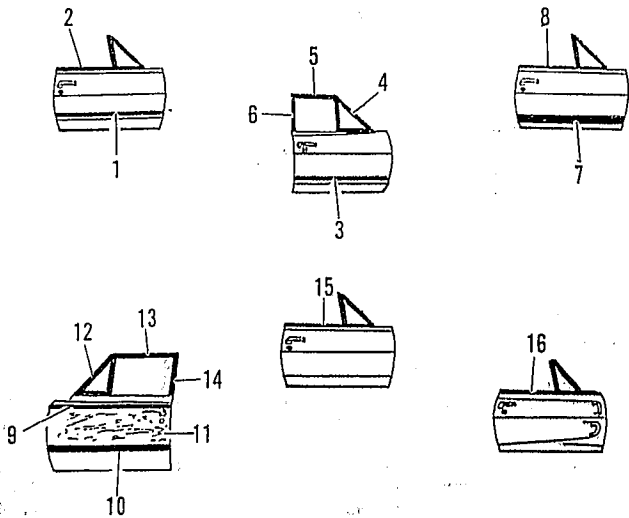
Pillar, Body Center	4 Dr. & S/W	2859572-3	4.0	51.85
Finish Panel, Pillar Upper		2860636-7	.3	4.48



Cont'd.

FRONT DOOR, Cont'd.

MOULDINGS & TRIM, Cont'd.



440 2 DR. & 2 DR. H.T.

1. Mldg. Pkg., Side Lower	2933944-5	.3	7.16
2. Mldg. Pkg., Belt			
2 Dr.	2932098-9	.3	4.61
2 Dr. H. T.	2932096-7	.3	4.85

440 4 DR. & S/W

3. Mldg. Pkg., Side Lwr. 4 Dr.	2933878-9	.3	5.67
S/W	2932148-9	.3	8.03
Mldg., Window Opening Frame			
4. Front	2570750-1	#	1.79
5. Upper	2570752-3	#	2.11
6. Rear	2570754-5	#	1.68
#R&R One or All .3.			

CORONET 500 4 DR. SED.

3. Mldg. Pkg., Side Lower	2933950-1	.3	7.83
Mldg., Window Opening Frame			
4. Front	2570750-1	#	1.79
5. Upper	2570752-3	#	2.11
6. Rear	2570754-5	#	1.68
#R&R One or All .3.			

CORONET 500 2 DR. H. T. & CONV.

7. Mldg. Pkg., Side Lower	2933948-9	.3	9.39
8. Mldg. Pkg., Belt	2932096-7	.3	4.85

CORONET 500 S/W

9. Mldg. Pkg., Side Upper	2932122-3	.3	5.04
10. Lower	2932148-9	.3	8.03
11. Wood Grain Overlay	2965447	#	21.18
# 1, 5 w/Mldgs. Removed & After Painting.			
Mldg., Window Opening Frame			
12. Front	2570750-1	#	1.79
13. Upper	2570752-3	#	2.11
14. Rear	2570754-5	#	1.68
#R&R One or All .3.			

CORONET R/T 2 DR. H. T. & CONV.

15. Mldg. Pkg., Belt	2932096-7	.3	4.85
----------------------	-----------	----	------

CHARGER

16. Mldg. Pkg., Belt	2932094-5	.3	6.92
Nameplate, Side "Hemi"	3506192	.3	3.66

Cont'd.

FRONT DOOR, Cont'd.

HARDWARE

Latch (Lock), Door				
4 Dr. & S/W	Rt. 2935004	.6	13.29	
	Lt. 2999761	.6	13.29	
2 Dr., 2 Dr. H. T. & Conv.	Rt. 2945780	.6	13.29	
	Lt. 2999759	.6 (D)	8.70	
Striker, Latch	2862426-7	.2	2.68	
Remote Control, Latch	2945578-9	.5	3.85	
Control w/Link (I. S. Hdle. to Latch)				
2 Dr., 2 Dr. H. T. & Conv.				
Exc. Charger	2945246-7		2.17	
Charger	2945736-7		2.17	
Cylinder & Keys *				
(Both Doors & Ignition)				
All exc. S/W	2935803	#	7.29	
(Drs., Ign., G/Box & Deck Lid)				
All exc. S/W	3419074	#	11.61	
(Doors, Ignition & T/Gate)				
S/W Manual w/o Univ. Key	2935820	#	8.94	
Electric w/o Univ. Key	2935821	#	9.27	
(Drs., Ign., G/Box & T/Gate)				
S/W	2935847	#	10.34	
*Not Available Separately.				
#R&R Each Door .5, Both Doors & Ignition 1.2,				
Both Doors, Ignition & Deck Lid 1.9,				
Both Drs., Ign., D/Lid & Glove Box 2.1,				
Both Doors, Ignition & T/Gate 1.9,				
Both Drs., Ign., T/Gate & Glove Box 2.1.				
Handle, Outside Black Button	2862972-3	.4	7.47	
Die Cast Button	3454390-1	.5	7.47	
Gasket, O.S. Handle Front	3454334		.06	
Rear	3454335		.18	
Handle, Inside	2935214-5		2.28	
Hinge, Door Upper	2298649	.8	6.60	
Lower	2583578-9	.6	11.87	
Weatherstrip, Door (on Door)				
4 Dr. & S/W	2860492-3	.6	12.68	
2 Dr., 2 Dr. H. T. & Conv.	2860400-1	.6	10.34	
Mirror, Outside Rear View				
Standard	Rt. or Lt. 2802834	#	8.38	
* Rt.	2802869	#	11.43	
Remote Control (Pkg.)	3695508	##	19.41	
*Matches L. H. Rem. Cont. #R&R .2, Install .3. #R&R .4, Install .7				

VENT GLASS & PARTS

Glass, Vent	(Glass Co.)			(Car Mfr.)
4 Dr., S/W & Conv.				
Clear NAGS V3580-1*	Use 3499106-7*	.7	Use	
Tinted	Glass 3499108-9*		Glass	
2 Dr. & 2 Dr. H. T.				
Clear NAGS V4047-8*	Price 2811358-9*	.7	Price	
Tinted	List 2811360-1*		List	
*Includes Lower Pivot & Bracket.				
Weatherstrip, Vent Wing				
4 Dr. & S/W	2570784-5	.9	3.62	
2 Dr. & 2 Dr. H. T.	2811306-7	.9	3.62	
Conv.	2570786-7	.9	3.62	
Glass Run, Vent Div. Channel				
4 Dr. & S/W	2570243		1.83	
Frame w/Div. Channel, Vent				
2 Dr. & 2 Dr. H. T.	2811338-9	1.3	27.97	
Conv.	3499110-1	1.3	26.08	
Ret. w/Div. Channel, Vent W/Strip				
4 Dr. & S/W	3499112-3	1.8	17.33	
Handle Pkg., Vent Wing				
4 Dr., S/W & Conv.	2809940-1	.2	1.64	
2 Dr. & 2 Dr. H. T.	2933204-5	.2	1.64	
Pivot Pkg., Vent Wing Upper				
4 Dr., S/W & Conv.	2932436-7		2.43	
2 Dr. & 2 Dr. H. T.	2809961		3.59	

DOOR GLASS & PARTS

Glass, Door	(Glass Co.)			(Car Mfr.)
4 Dr. & S/W				
Clear NAGS D3597-8*	Use 2570240-1*	.9	Use	
Tinted	2570822-3*			
2 Dr.				
Clear NAGS D4260-1*	Glass 2895286-7*	.9	Glass	
Tinted	2895288-9*			
2 Dr. H. T.				
Clear NAGS D4258-9**	Price 2895294-5**	1.1	Price	
Tinted	3440426-7**			
Conv.				
Clear NAGS D4273-4**	List 2895298-9**	1.1	List	
Tinted	2895300-1**			
*Glass Only. **Includes Rear Frame.				

Cont'd.

OCTOBER 1, 1974

DODGE

CORONET & CHARGER 1969

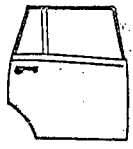
FRONT DOOR, Cont'd.

DOOR GLASS & PARTS, Cont'd.

Weatherstrip Pkg. (on Front Edge of Glass)	2932230		3.59
Weatherstrip, Glass Rear Frame			
2 Dr. H. T.	2811622-3		3.01
Channel w/Bkrt., Glass Run Rear			
4 Dr. & S/W	2570718-9	.8	4.61
2 Dr.	3419134-5	.8	5.50
2 Dr. H. T.	3440418-9	.8	5.24
Conv.	3419136-7	.8	5.24
Bracket w/Guide, Glass Lift w/Manual Lift (All) w/Electric Lift	2664256		1.88
2 Dr. H. T. & Conv.	2588718-9		1.88
Glass Run, Rear			
4 Dr. & S/W	2570244	.8	4.19
2 Dr.	2860398	.8	2.06
2 Dr. H. T.	2664771	.8	2.11
Conv.	2861772	.8	2.22
Weatherstrip, Glass Belt			
4 Dr. & S/W	2860040-1	#.3	1.83
Inner	2570238	(2) #.3	1.50
2 Dr.	2860532-3	#.3	1.62
Inner	2860530-1	#.3	1.36
2 Dr. H. T.	2860524-5	#.3	1.94
Inner exc. Chgr.	2860522-3	#.3	1.88
Charger	2876268-9	#.3	4.10
Conv.	2860046-7	#.3	2.04
Inner	3439152-3	#.3	2.28
	#.2 w/Glass Removed.		
Regulator, Window			
Manual			
4 Dr. & S/W	2802800-1	.7	15.03
2 Dr., 2 Dr. H. T. & Conv.	2802800-1	.9	15.03
Electric			
2 Dr. H. T. & Conv.	2999682-3	1.0	17.78
Handle, Regulator	2862167	.2	3.95
Motor w/Mechanism, Regulator	2999326-7	1.1	46.92

REAR DOOR

Refinish O.S. 2.0  
Jams, Add .5  
Add to Door or Outer Panel R&R  
to Drill for & Install  
One Mldg. .3  
Ea. Add'l. Mldg. .2  
R&I Door Assembly .8  
R&I Trim Panel .4  
Overlay Time Does Not Incl.  
Removal of Old Overlay.



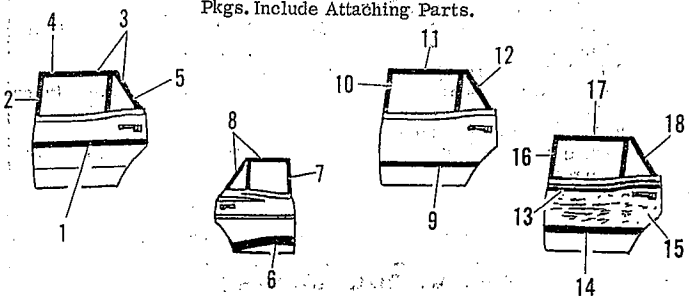
SHEET METAL

Shell, Rear Door	4 Dr.	2859080-1	#3.2	158.05
	S/W	2859094-5	#3.2	158.05
Panel, Door Repair	4 Dr.	2811372-3	#4.5	50.80
	S/W	2811794-5	#4.5	53.23

(#See Note Above for Additional Time)

MOULDINGS & TRIM

Pkgs. Include Attaching Parts.



CORONET & DELUXE 4 DR. & S/W

1. Mldg. Pkg., Side	4 Dr.	2933848	.3	3.67
	S/W	2933852	.3	3.67
Mldg., Window Opening Frame				
2. Front	All	2570914-5	#	1.56
3. Upper & Rear	4 Dr.	2811438-9	#	3.49
	S/W	2588466-7	#	2.31
4. Upper	S/W	2811446-7	#	1.62
5. Rear	S/W		#	

Cont'd.

REAR DOOR, Cont'd.

MOULDINGS & TRIM, Cont'd.

440 4 DR. SED.				
6. Mldg. Pkg., Side Lower	2933880-1	.3	4.98	
Mldg., Window Opening Frame				
7. Front	2570914-5	#	1.56	
8. Upper & Rear	2811438-9	#	3.49	
	#R&R One or All .3.			
440 S/W				
9. Mldg. Pkg., Side Lower	2932146-7	.3	6.92	
Mldg., Window Opening Frame				
10. Front	2570914-5	#	1.56	
11. Upper	2588466-7	#	2.31	
12. Rear	2811446-7	#	1.62	
	#R&R One or All .3.			
CORONET 500 4 DR. SED.				
6. Mldg. Pkg., Side Lower	2933952-3	.3	6.84	
Mldg., Window Opening Frame				
7. Front	2570914-5	#	1.56	
8. Upper & Rear	2811438-9	#	3.49	
	#R&R One or All .3.			
CORONET 500 S/W				
13. Mldg. Pkg., Side Upper	2932132-3	.3	5.04	
	Lower	2932146-7	.3	6.92
15. Wood Grain Overlay	2965447	#	21.18	
	# 1.5 w/Mldgs. Removed & After Painting.			
Mldg., Window Opening Frame				
16. Front	2570914-5	#	1.56	
17. Upper	2588466-7	#	2.31	
18. Rear	2811446-7	#	1.62	
	#R&R One or All .3.			

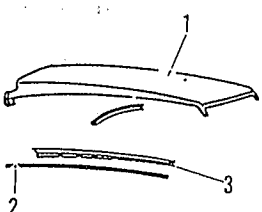
HARDWARE

Latch (Lock), Door	2935040-1	.6	13.29
Striker, Latch	2862426-7	.2	2.68
Remote Control, Latch	2945578-9	.5	3.85
Control w/Link, Latch to I.S. Hdle.	2935062-3		2.37
Handle, Outside Black Button	2862972-1	.5	7.47
Die Cast Button	Rt. 3454390	.5	7.47
	Lt. 3454393	.5	6.84
Gasket, O.S. Handle	Front 3454334		.06
	Rear 3454335		.18
Handle, Door Inside	2935214-5		2.28
Hinge, Door Upper	2862236-7	.4	7.47
	Lower 3508970-1	.8	11.87
W/Strip, Dr. (on Dr.)	4 Dr. 2811448-9	.6	12.45
	S/W 2811450-1	.6	12.45

DOOR GLASS & PARTS

Glass, Door	(Glass Co.)		(Car Mfr.)
4 Dr.			
Clear NAGS D4057-8 *	Use	2811460-1*	1.0 Use
Tinted *		2811462-3*	
Clear NAGS V4059-60**	Glass	2811464-5**	.5 Glass
Tinted **		2811466-7**	
S/W			
Clear NAGS D3603-4 *	Price	2570370-1*	1.0 Price
Tinted *		2570962-3*	
Clear NAGS V4062-3**	List	2811472-3**	.5 List
Tinted **		2811474-5**	
*Front - Movable Glass.	**Rear - Stationary Glass.		
Bracket w/Guide, Glass Lift	2664256		1.88
Div. Channel w/Lwr. Bracket			
4 Dr.	2811420-1		4.52
S/W	2588598-9		4.24
Glass Run			
Upper & Front	4 Dr. 2664198	.8	3.30
	S/W 2664197	.8	3.30
Div. Channel	2570243	.7	1.83
Weatherstrip, Stationary Glass			
4 Dr.	2811456		1.97
S/W	2811458		1.74
Weatherstrip, Glass Belt			
4 Dr.	Outer 2861708-9	#.3	1.83
	Inner 2861706-7	#.3	1.68
S/W	Outer 2861708-9	#.3	1.83
	Inner 2861706-7	#.3	1.68
	#.2 w/Glass Removed.		
Regulator, Window (Manual)	2583064-5	.9	14.45
Handle, Regulator	2862167	.2	3.95

ROOF			
Refinish Roof			
4, 2 exc. S/W	4.8		
R&R Headliner			
One Piece Type	4.6		
Sectional Type (S/W)			
1st or 7th	.7		
2nd thru 6th (Each)	.4		
Complete	2.1		
Rail Time is w/ Roof Rem.			
Add to Roof R&R			
w/Vinyl Cover	6.0		
w/Luggage Rack	2.0		

SHEET METAL			
1. Panel, Roof (w/Drain Trough)			
4 Dr.	3444575	19.0	71.78
All 2 Drs.	Exc. Charger 2838573	19.0	71.78
	Charger 2838103	19.0	82.60
S/W	2529831	20.0 (D)	118.31
Ext., Roof Panel 500 4 Dr.	3412567	(D) 149.49	
	Charger 500 3412567	(D) 149.49	
2. Drain Trough, Side			
4 Dr.	2838606-7	# 1.5	8.17
All 2 Drs.	Exc. Charger 2842750-1	# 1.5	7.72
	Charger 2842750-1	# 1.5	7.72
S/W	2529840-1	# 1.5	8.11
Front	2602182-3	# 1.5	4.19
Rear	2860628-9	# 1.5	5.82
	#w/ Roof Removed.		
Cover, Frt. Pillar to Side D/Trough			
4 Dr. & S/W	2588330		.72
Cover, Side Drain Trough			
S/W	Front 2605208		.63
	Inter. & Rear 2571768		.13
3. Rail, Roof Side			
4 Dr.	Inner 2842452-3	1.0	5.43
	Inner w/Nut 3445924-5	1.0	5.82
All 2 Drs.	Outer 2838574-5	2.0	5.48
	Inner 3445946-7	1.0	4.85
S/W Outer	Front 2529842-3	1.5	7.29
	Rear 2529844-5	1.5	4.97
Inner	Front 2861810-1	1.0	5.29
	Front w/Nut 2861810-1	1.0	5.29
	Rear 2861526-7	1.5	4.97
Rr. Cor.	Outer 2529850-1	1.5	4.97
	Inner 2529852-3	1.0	5.54
Ext., Side Rail Outer (All 2 Drs.)	2838558-9		10.78
Frame, Back Window Upper			
4 Dr.	2838553	1.5	4.05
All 2 Drs.	Exc. Charger 2838564	1.5	3.86
	Charger 2838132	1.5	5.17
W/Strip, Roof Side Rail			
2 Dr.	2841440-1	.3	16.50
2 Dr. H. T.	2838642-3	.3	15.89
Retainer, Side Rail W/Strip			
2 Dr.	2895272-3	.5	9.71
2 Dr. H. T.	Exc. Charger 2895268-9	.5	9.71
	Charger 2895270-1	.5	10.20
Header, Roof Rr. (Complete) S/W	3417401	2.0	22.62

ROOF, Cont'd.			
MOULDINGS & TRIM, Cont'd.			
ALL 2 DR. & 2 DR. H. T. EXC. CHARGER			
Mldg., Side Drain Trough			
w/o Vinyl Roof	2840282-3	.3	3.27
w/Vinyl Roof	2841504-5	.3	3.27
End Cap, D/Trough Mldg. Rear	2840884-5		2.37
Joint Cover, D/Trough Mldg. Frt.	2783028		.45
Mldg., Frt. Pillar D/Trough			
w/o Vinyl Roof	2840280-1	.2	1.25
w/Vinyl Roof	2932512-3	.2	3.27
Vinyl Roof Cover Green Tan White Black			
6109DF8 - DT5 - FW1 - DX9(D)#10.1			89.70
#Includes R&R W/Shield & Back Glass.			
Medallion, Side	2841393		1.74

ALL CHARGER			
Mldg., Side Drain Trough			
w/o Vinyl Roof	2840282-3	.3	3.27
w/Vinyl Roof	2841504-5	.3	3.27
Joint Cover, D/Trough Mldg. Frt.	2783028		.45
Mldg., Frt. Pillar D/Trough			
w/o Vinyl Roof	2840280-1	.2	1.25
w/Vinyl Roof	2932512-3	.2	3.27
Nameplate, Roof Side			
"Charger"	2841886		2.43
"Special Edition"	N. A.		N. A.
Vinyl Roof Cover Green Tan White Black			
6108FF8 - ET5 - FW1 (D)		#10.1	84.62
Black 6109GOX		#10.1 (D)	97.33

LUGGAGE RACK PARTS (S.W.)			
Factory Installed Type			
R&R		1.0	
Install Including Drilling		2.0	
Rail			
Front	2602651		6.53
Side (2)	2602647		13.50
Rear	2602651		6.53
Crossmember	(4) 2602652		5.29
Bracket, Rail	(4) 2528454		1.70
End Cap, Side Rail Front	2602649-8		3.49
Rear	2602648-9		3.49
Pad, Crossmember	(4) 2602656		.84
Pad, Side Rail	(2) 2602655		1.76
Thumb Screw	(2) 6028787		1.88

MOULDINGS & TRIM			
Pkgs. Include Attaching Parts.			
ALL 4 DR. SEDAN			
Mldg., Side Drain Trough			
w/o Vinyl Roof	2840276-7	.3	3.73
w/Vinyl Roof	2841508-9	.3	3.55
Joint Cover, D/Trough Mldg. Frt.	2783028		.45
Mldg., Frt. Pillar D/Trough			
w/o Vinyl Roof	2840274-5	.2	1.64
w/Vinyl Roof	2932514-5	.2	3.30
Medallion, Roof Side			
w/Vinyl Roof	2841393		1.74
Vinyl Roof Cover Green Tan White Black			
6110DF8 - ET5 - DW4 - DX9 #10.1 (D)			78.04
#Includes R&R W/Shield & Back Glass.			
ALL S/W			
Mldg., Side Drain Trough	2840278-9	.3	5.04
Joint Cover, D/Trough Mldg. Frt.	2605208		.63
Mldg., Frt. Pillar D/Trough	2605854-5	.2	1.43

BACK WINDOW			
Order Installation Materials As required.			
Glass, Back Window	(Glass Co.)	(Car Mfr.)	
4 Dr.			
Clear NAGS B4061*	Use 2838663*	2.0	Use
Tinted	2838664*		
2 Dr. & 2 Dr. H. T. (exc. Chgr.)			
Clear NAGS B4052*	Glass 2842344*	2.0	Glass
Tinted	2842345*		
2 Dr. H. T. (Charger)			
Clear NAGS B4051*	Price 2838130*	2.0	Price
Tinted	2838131*		
2 Dr. H. T. (Charger 500)			
Clear NAGS B4446*	List 3412161*	2.0	List
Tinted	N. A. *		
*Cemented-In Type.			
Installation Materials	Use as Required		

BACK WINDOW MOULDINGS			
Pkgs. Include Attaching Parts.			
ALL 4 DR. SED.			
Mldg. Pkg.			
Upper	3419479	#	4.77
Upper Corner	3004384-5	#	2.93
Side & Lower	3419480-1	#	6.01
#One .5, All .8.			

Cont'd.

Cont'd.

OCTOBER 1, 1974

DODGE

CORONET & CHARGER 1969

**BACK WINDOW, Cont'd.**

**BACK WINDOW MOULDINGS, Cont'd.**

ALL 2 DR. & 2 DR. H.T. EXC. CHARGER

Mldg. Pkg.				
Upper & Side	3004390-1	#	5.17	
Lower	3004392-3	#	4.25	
	#One .5, All .8.			

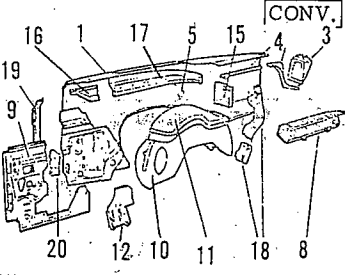
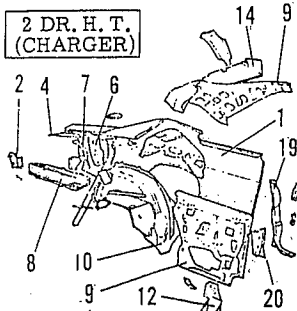
**ALL CHARGER**

Mldg. Pkg.				
Upper	Exc. Chgr. 500	2932220-1	#	6.22
	Charger 500	3412152-3	#	6.47
Lower	Exc. Chgr. 500	2932217	#	4.19
	Charger 500	3412582	#	2.93
Lwr. Corner		2932218-9	#	2.54
	#One .5, All .8.			

**QUARTER PANEL**

Refinish O.S. 2 Drs. 3.0, 4 Drs. 2.4  
Pillar, Add .3  
Inner Panel Time is w/Outer Rem.

R&I Trim Panel	.5	4 DR. SEDAN		
R&R Quarter w/Roof Removed				
R&I Trim Panel				
R&R Quarter w/Roof Removed	10.0			
2 Doors 12.5, 4 Doors				
Cut at Belt Line & Around B/W				
2 Doors #13.5, 4 Doors	#12.5			
(#Charger 2 Dr. H.T. - Cut Along Belt Line to Deck Opening 14.0)				
Add to Quarter R&R to Drill for & Install				
One Mldg.	.4	2 DR. H.T. (EXC. CHARGER)		
Ea. Add'l. Mldg.	.2			
Nameplate	.2			
w/Electric Lifts	.3			
w/Vinyl Roof Cover				
1.5 exc. 2 Dr. H.T. for Stripes	2.0			
Charger - Lt. Side for Gas Neck & Cap	.8			
Stripe Tape, Overlay, Decal Time Does Not Include Removal of Old Tape, Overlay or Decal.				



**SHEET METAL**

1. Panel, Qtr. O. S. Repair				
4 Door	2902630-1	#14.0	101.97	
2 Dr. & 2 Dr. H.T. exc. Charger	2902628-9	#15.5	132.48	
Charger	2902634-5	#16.0	132.48	
Convertible	2902632-3	#13.0	132.48	
(#See Note Above for Additional Time)				
2. Extension, Qtr. Panel End				
All exc. Charger	2900918-9	.3	11.10	
Charger Upper	2841516-7		5.68	
Lower	2838008-9		8.43	
Gasket, Extension				
All exc. Charger	2900920		1.25	
Charger Upper	2841518	(D)	.64	
3. Reinforcement, T/Lamp Opng.				
All exc. Charger	2900912-3	#	4.45	
Charger Upper	2902560-1	#	4.31	
Lower	2902526-7	#	5.17	
# 1.0 Complete w/Lamps Removed.				
4. Drain Trough, Deck Side				
2-4 Dr. & 2 Dr. H.T.				
Exc. Charger	2841302-3	#1.0	5.68	
Charger	2838010-1	# 1.0	4.97	
Conv.	2839612-3	# 1.0	5.68	
#R&R Sides & Lwr. Corner 1.7 exc. w/Qtr. Rem.				

Cont'd.

**QUARTER PANEL, Cont'd.**

**SHEET METAL, Cont'd.**

Drain Trough, Deck Lwr. Corner				
All exc. Charger	2901560-1	# 1.2	6.01	
#R&R Sides & Lwr. Corner	1.7 exc. w/Quarter Rem.	1.0		
5. Support, Drain Trough to W/Hse. Conv.	2838204-5		4.31	
6. Reinforcement, Drain Trough Charger	2840364		1.11	
Ext., Rr. Floor Pan Rr. X-Mbr. All exc. Charger	2840536-7		2.17	
7. Brace, Drain Trough to Supt. Charger	2842710-1		2.81	
8. Ext. (to Rear Floor Pan Side) All exc. Charger	2839544-5	#	16.28	
Charger	2838002-3		9.35	
# 2.5 exc. w/Quarter Removed	1.5.			
9. Panel, Quarter Inner				
4 Dr. Upper	2842798-9	1.5	9.27	
Lower	2838322-3	1.5	6.86	
2 Dr. & 2-Dr. H.T.				
Exc. Chgr. Front Lower	3445456-7	1.5	12.69	
Rear Upper	3505322-3	1.5	13.32	
Lower	2838326-7	1.5	5.48	
Charger Front Lower	3445456-7	1.5	12.69	
Rear Upper	2842776-7	1.5	18.17	
w/Nut	2842776-7	1.5	18.17	
Rear Lower	2840372-3	1.5	12.95	
Conv.	2838236-7	2.0	12.69	
10. Panel, Wheelhouse				
2 Dr. & 2 Dr. H.T. Outer	2838870-1	2.5	20.20	
Inner	2841908-9	2.0	19.15	
4 Dr. Outer	2838330-1	2.5	18.87	
Inner	2841908-9	2.0	19.15	
Conv. Outer	2838218-9	# 2.5	20.20	
Inner	2841908-9	# 2.0	19.15	
11. Cap, W/Hse. Panel				
Conv.	2782374-5	# 1.5	8.11	
#R&R All	4.0.			
12. Tie Plate, W/Hse. to Side Sill				
4 Dr.	3446364-5		3.21	
12. Tie Plate, I. S. Panel to Side Sill				
2 Dr. & 2 Dr. H.T.	2838286-7		2.42	
Conv.	2839960-1		2.93	
13. Support, W/Hse. to Qtr. Panel				
4 Dr.	2838476-7		2.54	
14. Extension, Roof Side Rail				
2 Dr. & 2 Dr. H.T.	2838558-9		10.78	
Reinf., Qtr. Window Lwr. Corner	2838446-7		1.06	
15. Reinf., W/Hse. to Belt Bar				
Conv.	2838224-5		2.54	
16. Reinf., Outside Panel at Belt				
Conv.	2838210-1		2.11	
17. Bar, Belt Side (Conv.)	2841048-9		16.60	
18. Support, Deck Lid Hinge				
4 Dr. Upper	3446642-3		3.92	
Lower	2838482-3		2.42	
2 Dr. & 2 Dr. H.T. Upper	2841278-9		3.62	
Lower	2838482-3		2.42	
Conv. Upper	2841380-1		3.92	
Lower	2841848		2.04	
19. Pillar, Rear Body Lock				
4 Dr.	2838406-7	#	15.35	
2 Dr. Upper	2838398-9	##	8.03	
Lower	2838722-3	#	15.35	
2 Dr. H.T. exc. Chgr.	2838786-7	#	15.35	
Charger	2838024-5	#	15.35	
Conv.	2840284-5	#	15.35	
# 5.0 exc. w/Qtr. Rem. 3.0. ## 3.5 exc. w/Lwr. Pillar Rem.	1.5			
20. Reinforcement, Lock Pillar				
2 Dr. Upper	2838726-7		2.11	
Lower	2529564-5		1.94	
2 Dr. H.T. All Lower	2529564-5		1.94	
All at Belt	2603722-3		2.22	
Charger Upper	2842824-5		1.43	
Conv. Lower	2529564-5		1.94	
Side Rail, Underbody	See Frame Section			

CORONET & CHARGER 1969

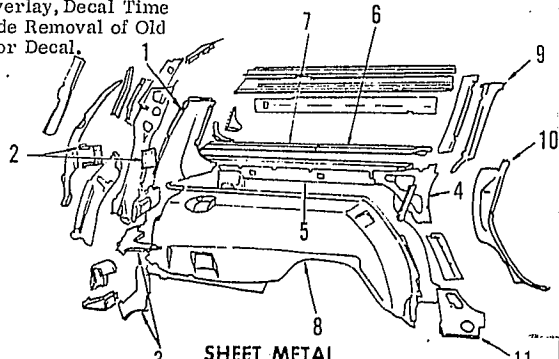
DODGE

OCTOBER 1, 1974

QUARTER PANEL, Cont'd.

Refinish O.S.	2.7	STATION WAGON
Pillar, Add	.3	
Inner Panel Time is w/Outer Panel Removed		
R&I Trim Panel	.5	
R&R Wheelhouse Cover		
Right .5, Left	1.0	
Add to Quarter R&R to Drill for & Install		
One Mldg.	.4	
Ea. Add'l. Mldg.	.2	
Nameplate	.2	TYPICAL

Stripe Tape, Overlay, Decal Time Does Not Include Removal of Old Tape, Overlay or Decal.



1. Panel, Qtr. O.S. Repair	3439186-7	#12.5	101.97
(#See Note Above for Additional Time)			
Extension, Qtr. Panel End	3440386-7	#	13.52
# 1.0 Includes R&R Tail Lamp.			
Gasket, Ext. Q/P End	2861852		.99
Extension, Qtr. Panel End Rear Upper	2860190-1		11.45
Gasket, Ext. Q/P End Rr. Upper	2861188		.99
Reinf., O.S. Panel Rr. Ext. Opng.	2894942-3		4.85
Pillar, T/Gate Lower	2860486		1.83
Upper Inner	2860092-3		3.27
Pillar & Pillar Patch Outer	2859548-9		14.19
Pillar, T/G Hinge Lower Inner Rt.	2859440		9.34
Pillar, T/G Lock Lower Inner	2859440-2811495		9.34
Reinf., T/G Pillar Lower	2860192-3		3.11
2. Reinf., T/G Inner to Outer Pillar Hinge			
Outer	2860099		1.43
Inner Upper	2860098		1.11
Lower	2860475		1.11
Channel w/Brkt., T/G Glass Run Lvr.			
Lower	2860814-5		4.52
Retainer Inner & Outer	3439308-9		4.48
Bracket, T/G Hinge Pivot	2934099		3.86
3. Extension, T/G Opening Sill	2860818-9		3.55
3. Ext., Rr. Floor Pan Rr. X-Mbr.	2860296-7		3.80
Rail, Roof Side Rear or Rear Corner - See Roof Section.			
Panel, Quarter Inside			
4. Front	2861678-9		4.36
Center Rt.	2895230		6.54
Rear Rt.	2811756		2.55
5. Lt.	2811757		8.21
Panel, Spare Tire Housing			
Lower	2811984		11.82
Inner	2602177		7.65
Panel, Inside Wheel Well Rt.	2811750		10.98
6. Belt Bar, Qtr. Panel Front	2811758-9		5.54
Rear	2811760-1		7.98
7. Tube, Gas Tank Filler Outer	2880454		10.72
Inner	2643855		8.04
Bracket, Wheelhouse	2573986-7		2.37
8. Panel, Wheelhouse Outer	2811498-9	2.5	29.41
Inner	2860430-1	2.0	18.24
Extension, Rr. Floor Pan Side	2860142-3		9.09
Pillar, Lock Upper Inner	2811746-7		5.41
Outer	2811748-9		8.56
9. Lower	2811744-5	#	15.35
# 5.0 exc. w/Quarter Removed		3.0.	
Retainer, Qtr. Glass W/Strip			
Front	2860136-7		1.11
Upper	2588824-5		1.38
11. Tie Plate, W/Hse. to Side Sill	3446364-5		3.21
Side Rail, Rear Floor Pan - See Frame Section.			

QTR. GLASS & PARTS

Glass, Quarter Window	(Glass Co.)	(Car Mfr.)
2 Dr.		
Clear NAGS Q4055-6 *	Use	2840708-9* 1.2 Use
Tinted *		2840710-1*
2 Dr. H. T.		
Clear NAGS Q4049-50*	Glass	2838438-9* 1.2 Glass
Tinted *		2838440-1*
Conv.		
Clear NAGS Q3590-1 **	Price	2603700-1** 1.2 Price
Tinted **		2603702-3**
S/W		
Clear NAGS Q4064-5 *	List	2811774-5* 1.3 List
Tinted *		2811776-7*

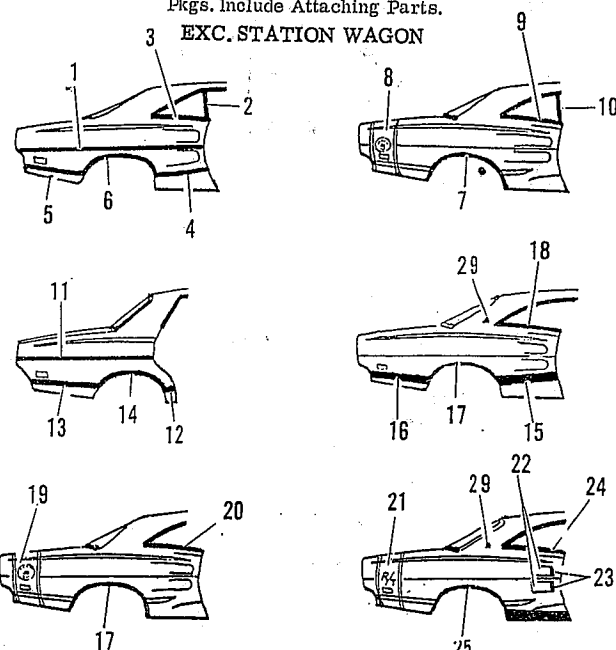
\*Glass Only. \*\*Complete.

Frame, Glass Lower			
2 Dr. H. T.	2840944-5		14.06
Track, Glass Roller			
2 Dr. H. T.			
Front	2784170-1	.9	2.93
Rear	2839684	.9	3.99
Conv.	2603490-1	.9	3.47
Weatherstrip, Glass Frt. Frame			
Conv.	2782560-1		3.27
Weatherstrip, Glass Front			
2 Dr.	2932230		3.59
Weatherstrip, Glass			
2 Dr.	2840670-1		6.66
S/W	2811772-3		9.35
Weatherstrip, Glass Belt			
2 Dr. H. T.			
Exc. Charger Outer	2840348-9	#.3	2.81
Inner	2840346-7	#.3	2.26
Charger Outer	2838086-7	#.3	3.27
Inner	2876270-1	#.3	2.79
Conv. Outer	2841626-7	#.3	2.49
Inner	2841634-5	#.3	2.22
#R&R w/Glass Removed		.2.	
Regulator, Glass			
Manual 2 Dr. H. T.	2583030-1	.8	13.27
Conv.	2583032-3	1.2	13.27
Electric 2 Dr. H. T.	2583764-5	.8	15.75
Conv.	2583854-5	1.2	16.54
Handle, Regulator	2862167		3.95
Latch, Glass 2 Dr.	3620495		4.46
Handle, Latch	2842538		1.94
Motor w/Mechanism, Regulator			
2 Dr. H. T.	3004126-5	.8	45.55
Conv.	3004124-3	1.2	44.69

QTR. MOULDING

Pkgs. Include Attaching Parts.

EXC. STATION WAGON



Cont'd.



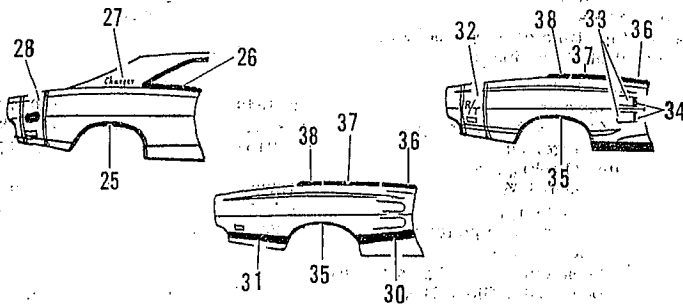
OCTOBER 1, 1974

DODGE

CORONET & CHARGER 1969

QTR. MOULDING, Cont'd.

EXC. STATION WAGON, Cont'd.



CORONET & DELUXE 2 DR. SED.

1. Mldg. Pkg., Side	2933870	.3	6.23
2. Mldg., Lock Pillar Upper	2840894-5	.2	4.85
3. Mldg. Pkg., Belt	Front 2932106-7		12.25
	Rear * 2932118-9		3.55
Medallion, Side	*w/Vinyl Roof & 2-Tone Paint. 2841393		1.74

440 2 DR. SED.

4. Mldg. Pkg., Side Lwr. Front	2933872-3	.3	5.29
5. Rear	2933884-5	.3	4.80
6. Mldg. Pkg., Wheel Opening	2933886-7	.3	6.60
2. Mldg., Lock Pillar Upper	2840894-5	.2	4.85
3. Mldg. Pkg., Belt	Front 2932106-7		12.25
	Rear * 2932118-9		3.55
Medallion, Side	*w/Vinyl Roof & 2-Tone Paint. 2841393		1.74

SUPER BEE 2 DR. SED.

7. Mldg. Pkg., Wheel Opening*	2840092-3	.3	8.18
8. Stripe Tape, Side	Black Red White		
	2965666-7 2965664-5 2965662-3	.6	13.60
Decal "Super Bee"	Black 2842940-1		5.75
	White 2842952-3		5.75
9. Mldg. Pkg., Belt	Front 2932106-7		12.25
	Rear * 2932118-9		3.55
	*w/Vinyl Roof & 2-Tone Paint.		
10. Mldg., Lock Pillar Upper	2840894-5	.2	4.85
Medallion, Side	2841393		1.74
Ornament (Sim. Air Scoop)	2902966-7		11.10
Mldg., Air Scoop	2901806-7		2.87

CORONET & DELUXE 4 DR. SED.

11. Mldg. Pkg., Side	2933871	.3	5.41
Mldg. Pkg., Belt *	2932130-1	#	5.79
	*w/2-Tone Paint. #1.0 exc. w/Trim Removed	.5	
Medallion, Side	2841393	#	1.74

# .7 exc. w/Trim Removed .2.

440 4 DR. SED.

12. Mldg. Pkg., Side Lwr. Front	2933882-3	.3	4.80
13. Rear	2933900-1	.3	6.47
14. Mldg. Pkg., Wheel Opening	2902400-1	#	4.39
Mldg. Pkg., Belt *	2932130-1	#	5.79
	*w/Vinyl Roof & 2-Tone Paint. #1.0 exc. w/Trim Rem.	.5	
Medallion, Side	2841393	#	1.74

# .7 exc. w/Trim Removed .2.

500 4 DR. SED.

15. Mldg. Pkg., Side Lwr. Front	2933890-1	.3	6.60
16. Rear	2933908-9	.3	7.60
17. Mldg. Pkg., Wheel Opening	2902400-1	.3	4.39
18. Mldg. Pkg., Belt *	2932130-1	#	5.79
	*w/Vinyl Roof & 2-Tone Paint. #1.0 exc. w/Trim Rem.	.5	

440 2 DR. H. T.

15. Mldg. Pkg., Side Lwr. Front	2933872-3	.3	5.29
16. Rear	2933884-5	.3	4.80
17. Mldg. Pkg., Wheel Opening	2933886-7	.3	5.67
18. Mldg. Pkg., Belt	Front 2932108-9	#	13.72
	Rear * 2932118-9	#	3.55
	*w/Vinyl Roof & 2-Tone Paint. #One or Both 1.0 exc. w/Trim Rem.	.5	
29. Medallion, Side	2841393	#	1.74
	# .7 exc. w/Trim Removed	.2	
Ornament (Sim. Air Scoop)	2902966-7		11.10
Mldg., Air Scoop	2901806-7		2.87

Cont'd.

QTR. MOULDING, Cont'd.

500 2 DR. H. T.

15. Mldg. Pkg., Side Lwr. Front	2933888-9	.3	5.67
16. Rear	2933892-3	.3	7.60
17. Mldg. Pkg., Wheel Opening	2933886-7	.3	5.67
18. Mldg. Pkg., Belt	Front 2932108-9	#	13.72
	Rear * 2932118-9	#	3.55
	*w/Vinyl Roof & 2-Tone Paint. #One or Both 1.0 exc. w/Trim Rem.	.5	
29. Medallion, Side	2841393	#	1.74
	# .7 exc. w/Trim Removed	.2	

SUPER BEE 2 DR. H. T.

19. Stripe Tape, Side	Black Red White		
	2965666-7 2965664-5 2965662-3	.6	13.60
Decal "Super Bee"	Black 2842940-1		5.75
	White 2842952-3		5.75
20. Mldg. Pkg., Belt	Front 2932108-9	#	13.72
	Rear * 2932118-9	#	3.55
	*w/Vinyl Roof & 2-Tone Paint. #One or Both 1.0 exc. w/Trim Rem.	.5	
17. Mldg. Pkg., Wheel Opening	2840092-3	.3	8.18
29. Medallion, Side	2841393	#	1.74
	# .7 exc. w/Trim Removed	.2	
Ornament (Sim. Air Scoop)	2902966-7		11.10
Mldg., Air Scoop	2901806-7		2.87

CORONET R/T 2 DR. H. T.

21. Stripe Tape, Side	Black Red White		
	2964814-5 2964812-3 2964810-1	.6	9.86
22. Ornament (Sim. Air Scoop)	2902966-7		11.10
23. Moulding, Air Scoop	2901806-7		2.87
24. Moulding Pkg., Belt	Front 2932108-9	#	13.72
	Rear 2932118-9	#	3.55
	(*w/Vinyl Roof & 2-Tone Paint)		
	(#One or Both 1.0 exc. w/Trim Removed .5)		
25. Moulding Pkg., Wheel Opening	2840092-3	.3	8.18
29. Medallion, Side	2841393	#	1.74
Nameplate, Side "R/T"	2901812	#	2.88

CHARGER 2 DR. H. T.

25. Moulding Pkg., Wheel Opening	2840060-1	.3	5.78
26. Moulding Pkg., Belt	Front 2932104-5	#	14.25
	Rear * 2932100-1	#	4.42
	to Rr. Window * 2840886-7	.5	6.85
	(*w/Vinyl Roof) (#One or Both 1.0 exc. w/Trim Removed .5)		
Nameplate, Side	"Charger" 2841886		2.43
	"SE" N.A.		N.A.

CHARGER R/T 2 DR. H. T.

25. Moulding Pkg., Wheel Opening	2840060-1	.3	5.78
26. Moulding Pkg., Belt	Front 2932104-5	#	14.25
	Rear * 2932100-1	#	4.42
	to Rr. Window * 2840886-7	.5	6.85
	(*w/Vinyl Roof) (#One or Both 1.0 exc. w/Trim Removed .5)		
Nameplate, Side	"Charger" 2841886	#	2.43
	"R/T" 2901812	#	2.88
	(# .7 exc. w/Trim Removed .2)		
28. Stripe Tape, Side	Black Red White		
	2963852-3 2963850-1 2963848-9	.6	6.22

CHARGER 500 2 DR. H. T.

25. Moulding Pkg., Wheel Opening	2840060-1	.3	5.78
26. Moulding Pkg., Belt	2932104-5	#	14.25
28. Stripe Tape, Side & Deck Lid	Black Red White		
	3412282-2 3412281 3412280	1.4 (D)	12.12
	Side Only		
	Black Red White		
	3571310-1 3571308-9 3571306-7		8.51
27. Nameplate, Side	N.A.		N.A.

Cont'd.

CORONET & CHARGER 1969

DODGE

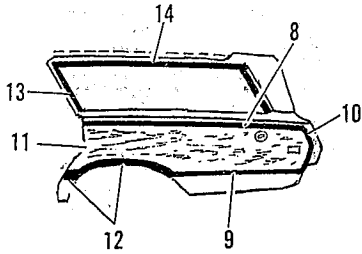
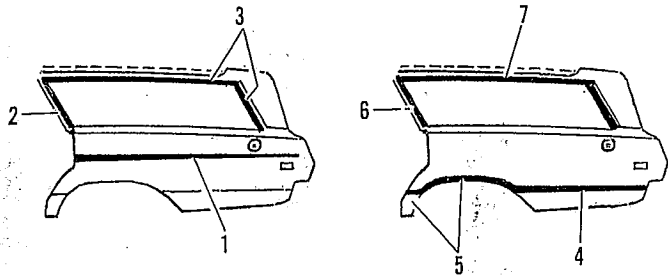
OCTOBER 1, 1974

QTR. MOULDING

EXC. STATION WAGON, Cont'd.  
CORONET 500 & R/T CONV.

30. Mldg. Pkg., Side Lwr. Front	*	2933888-9	.3	5.67
31. Rear	*	2933892-3	.3	7.60
*Coronet Only.				
32. Stripe Tape, Side		Black Red White		
		2964814-5 2964812-3 2964480-1	.6	9.86
33. Ornament (Sim. Air Scoop)	*	2902966-7		11.10
34. Mldg., Air Scoop	*	2901806-7		2.87
*R/T Only.				
35. Mldg. Pkg., Wheel Opening				
Coronet 500		2933886-7	.3	5.67
R/T		2840092-3	.3	8.18
36. Mldg. Pkg., Belt	Front	2932190-1	#	5.24
	Inter.	2932192-3	#	3.80
	Rear	2932188-9	#	6.92
	Rr. Cor.	2932186-7	#	6.09
	#One .3, All .7.			

STATION WAGON



CORONET & DELUXE S/W

1. Mldg. Pkg., Side		2933918	.3	5.48
2. Mldg., Qtr. Window	Front	2860868-9		3.67
3.	Upr. & Rr.	2860866-7		8.40

440 S/W

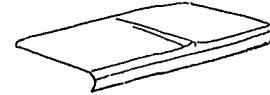
4. Mldg. Pkg., Side Lower		2932144-5	.3	8.78
5. Mldg. Pkg., Wheel Opening		2932116-7	.3	11.88
6. Mldg., Qtr. Window	Front	2860868-9		3.67
7.	Upper	2860866-7		8.40

500 S/W

8. Mldg. Pkg., Side Upper		2932134-5	.3	7.16
9.	Lower	2932142-3	.3	8.78
10. Mldg. Pkg., Side Rear				
Upper to Lower	Rt.	2841214		11.02
	Lt.	2932137	.3	11.45
11. Wood Grain Overlay, Side		2965447	#	21.18
#1.5 w/Mldgs. Removed & After Painting.				
Wood Grain Overlay				
(Between T/Lamp & T/Gate)		3444714-5		1.04
Mldg., Rr. Door Lock Pillar Upr.		2860638-9	.2	3.13
12. Mldg. Pkg., Wheel Opening	Front	2932116-7	.3	11.88
13. Mldg., Qtr. Window	Front	2860868-9		3.67
	Upper	2860866-7		8.40

LUGGAGE LID

Refinish Lid 2.5  
Add to R&R  
to Drill for Letter Set .2  
for Stripes .8  
Stripe tape time does not include  
removal of old stripe tape.



Lid, Deck				
Coronet	2934040	.8	146.75	
Charger & Charger R/T	3482627	.8	139.72	
Charger 500	3412154	.8	145.77	
Latch (Lock), Lid				
Standard Type	2167260	.3	6.01	
Vacuum Type	2428275	.4	6.08	
Vacuum (Complete)	2520735	.6	9.71	
Cylinder & Keys *				
Deck Lid, Drs., Ign. & G/Box	3419074	#	11.51	
Deck Lid & Glove Box	3419076	#	7.48	
D/Lid (Taxi) (w/Release Knob)	3419958	.3	7.13	
*Not Available Separately. #R&R Each .3.				
Striker, Latch	1867661	.2	.99	
Support, Latch Striker				
All exc. Charger	2902625		3.85	
Charger	2902969		4.24	
Hinge, Lid (w/Cam)				
All exc. Charger	2901990-1	#	5.92	
Charger & Charger R/T (2)	2842708	#	6.13	
Charger 500	3412156 Disc.	#	11.48	
#.7 exc. w/Lid Removed .4.				
Torsion Bar, Hinge				
All exc. Conv. & Charger	2838620-1	.3	4.05	
Conv.	2841678-9	.3	3.99	
Charger	2842712-3	.3	2.54	
Weatherstrip, Deck Lid				
All exc. Charger	2838662	.7	8.17	
Charger & Charger R/T	3616754	.7	9.09	
Charger 500	3616754	.7	9.09	

MOULDINGS & TRIM

Pkgs. Include Attaching Parts.

CORONET 500 4 DR., 2 DR. H. T. & CONV.

Letter	"D" (2)	"O"	"G"	"E"		
	2784488	- 489	- 490	- 491	#	.79
#One .2, All .3.						
Numeral "500"		3504810				1.64

SUPER BEE 2 DR. & 2 DR. H. T.

Stripe Tape	Black	Red	White		
	2964817	2964816	2964482	.8	16.15
Emblem "Bee"		2964635			2.88

CORONET R/T 2 DR. H. T. & CONV.

Letter	"D" (2)	"O"	"G"	"E"		
	2784488	- 489	- 490	- 491	#	.79
#One .2, All .3.						
Stripe Tape	Black	Red	White			
	2964817	2964816	2964482	.8	16.15	
Nameplate "R/T"		3504809			2.68	

CHARGER R/T 2 DR. H. T.

Stripe Tape	Black	Red	White		
	2963856	2963855	2963854	.8	16.15

NOTE: For Charger 500 Luggage Lid Tape - See Qtr. Mldg. Section.

DECK LID LUGGAGE RACK  
CHARGER

Tube & Insert	Front	2842893		12.16
	Inter.	2842895		4.92
	Rear	2842894		7.65
Support, Inter. Tube to Rr. Tube		2842896		1.83
Tip, Inter. Tube	(6)	2842901		.99
Adapter Plate	(6)	2842898		1.38
Support, Mounting	Front (2)	2842899		3.92
	Rear (2)	2842900		3.73
Pad, Support	(6)	2842897		.45

OCTOBER 1, 1974

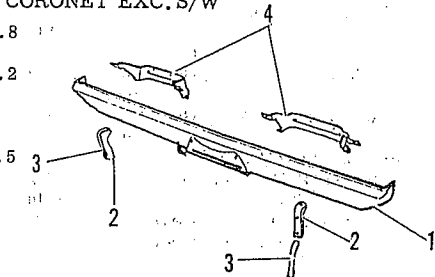
DODGE

CORONET & CHARGER 1969

REAR BUMPER

R&R Assy. .8  
O/H Including R&R  
1.1 exc. w/Guards 1.2  
Support Time is  
w/Bumper Removed.  
Add to Bumper R&R  
to Drill for Guards

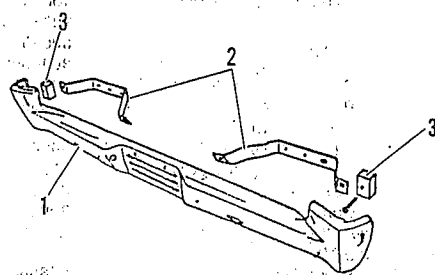
CORONET EXC. S/W



1. Face Bar, Rear	2856625	.8	69.17
2. Guard, Rear	(2) 2856633	.4	11.45
3. Cushion, Guard	(2) 2856612		2.16
4. Support, Face Bar	2856630-1		7.83
Panel, License Mounting	3464244	.3	5.50

STATION WAGON

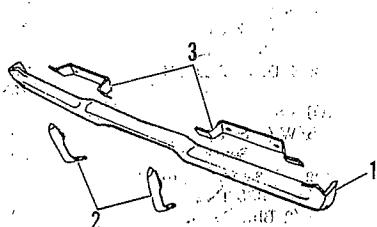
R&R Assy. .8  
O/H Including R&R 1.1  
Support Time is  
w/Bumper Removed.



1. Face Bar, Rear	2856595	1.1	70.97
2. Support, Face Bar	2856582-3		8.35
3. Pad, Impact	2856588		1.62
Plate, X-Mbr. Bumper Mtg.	Rt. 2860620		1.83
	Lt. 2860583		1.83

CHARGER

R&R Assy. .8  
O/H Including R&R  
1.1 exc. w/Guards 1.2  
Support Time is  
w/Bumper Removed.



1. Face Bar, Rear	2856675	.8	64.25
2. Guard, Rear	2856682	.4	11.45
3. Support, Face Bar	2856680-1		7.66

REAR BODY

EXC. STATION WAGON

Refinish Lower Panel 1.0  
Upper Panel 1.0  
Add to Panel R&R  
to Drill for ea. Mldg. .2

Panel, Lower (Below Deck Lid)			
All exc. Charger	2900921	#5.5	23.85
Charger	3506007	#5.5	23.10
(#R&R w/One Quarter Removed	4.0		
w/Both Quarters Removed	3.0		
Cut Charger Panel in Lamp Openings	4.5)		
Panel, Lower (Below Bumper)			
Charger	2902524	#	23.10
(# 4.0 w/Bumper Removed			
R&R Upper & Lower			
w/One Quarter Removed	6.0		
w/Both Quarters Removed	5.0)		
Extension, Lower Panel Reinf.			
Charger	2901688-9		1.43
Support, Lower Panel			
All exc. Charger	2902488-9		1.11

Cont'd.

REAR BODY, Cont'd.

EXC. STATION WAGON, Cont'd.

Panel, Upper (Above Deck Lid)			
2 Dr. & 2 Dr. H. T.			
Exc. Charger	2838712		12.13
Charger	2838090		(D) 13.83
4 Dr.	3444574		10.57
Conv.	2838248		10.84
Panel, Upper Plenum			
Charger	2840228		8.90
Reinforcement, Upper Panel			
Conv.	2838250		5.48
Support, Upper Plenum Panel			
Charger	2840397		2.54

NOTE: For Rear Floor Pan and Crossmember - See Frame Section.

STATION WAGON

Panel, Lower (Below T/Gate)	2860150	#	18.89
# 4.5 exc. w/Quarter Removed	3.5.		
Extension, Lower Panel	2860818-9		3.55
Support, Panel to Rr. X-Mbr. (2)	2860194		.94
Brace, Lwr. Panel (at Lock Opng.)	2573976		.99
Reinf., Lwr. Panel to Qtr. Panel	2861570		1.43
Header, Roof Rear	3417401	#	22.62

# 2.5 w/Roof Removed.

NOTE: For Tailgate Pillars, etc. - See Quarter Panel Section.

MOULDINGS & TRIM

Pkgs. include Attaching Parts.

CORONET & DELUXE 2-4 DR. SED.

Nameplate, Lower Panel "Dodge"	2901813	.3	2.37
--------------------------------	---------	----	------

440 - 2 DR. & 2 DR. H. T.

Finish Panel, Lower Panel	2902881	.5	24.91
---------------------------	---------	----	-------

440 4 DR. SED.

Finish Panel, Lower Panel			
w/Dodge Nameplate	2902881	.5	24.91
Mldg. Pkg., Upper Panel	2932140-1	*	3.80
Joint Cover, Mldg. Center	2841610	*	1.11

\*w/Vinyl Roof & 2-Tone Paint.

500 2 DR. H. T. & CONV.

Finish Panel, Lower Panel	2902639	.5	34.38
Lens, Finish Panel Center	2902636		3.73

500 4 DR. SED.

Finish Panel, Lower Panel	2902639	.5	34.38
Lens, Finish Panel Center	2902636		3.73
Mldg. Pkg., Upper Panel	2932140-1	*	3.80
Joint Cover, Mldg. Center	2841610	*	1.11

\*w/Vinyl Roof & 2-Tone Paint.

SUPER BEE 2 DR. & 2 DR. H. T.

Finish Panel, Lower Panel	2964857	.5	24.91
---------------------------	---------	----	-------

CORONET R/T 2 DR. H. T. & CONV.

Finish Panel, Lower Panel	2902639	.5	34.38
Lens, Finish Panel, Center	2902636		3.73

CHARGER 2 DR. H. T.

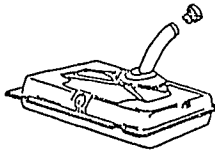
Nameplate "Charger"	2902306	.3	2.49
"R/T"	2902389	.3	3.08
"500" (Numerals)	N.A.		N.A.
Mldg. Pkg., Lower Panel Up.	2932538	#.4	7.32
End	3419324-5	#.4	7.27
#All	.6		

## CORONET &amp; CHARGER 1969

DODGE

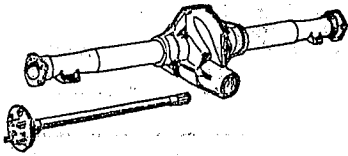
OCTOBER 1, 1974

## FUEL TANK



Tank, Fuel			
All exc. S/W & Charger	2880434	1.0	55.89
S/W	3404497	1.2	63.40
Charger	2880435	1.0	56.74
Cap, Gas Filler			
All exc. S/W & Charger			
Plain	2925697	1.05	
Locking	2534323	5.25	
S/W			
Plain	2643998	3.80	
Wood Grain	3466410	3.93	
Locking	2660899	(D) 4.25	
Charger (Marked "FUEL")			
Plain	2925878	13.48	
Bezel, Cap			
S/W w/Wood Grain Cap	3404467	3.01	
Ornament Ring, Cap			
Charger	2880430	4.13	
Tube, Filler			
All exc. S/W & Charger	2856332	.7	3.21
S/W	2880454	#	10.72
Outer	2643855	#	8.04
Inner	2925689	.7	9.02
Charger			
#Both 1.1.			
Grommet, Filler Tube	2880481	.99	
Bracket, Filler Tube			
All exc. S/W & Charger	2856334	1.76	
Strap, Tank Support			
All exc. S/W	(2) 2856349	2.68	
S/W	(2) 2880474	2.81	
Gauge, Tank Unit			
All exc. S/W & w/426-440	3420848	1.0	14.40
S/W	3420846	1.3	14.40
w/426-440 Eng.	3420847	1.0	15.44

## REAR AXLE

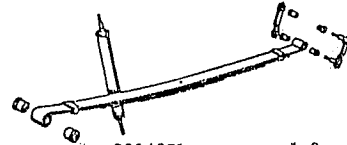


Brake Drum, Rear			
10 x 1-3/4"	3004744	.3	23.50
10 x 2-1/2"	3580553	.3	24.71
11 x 2-1/2" w/o Fins	2405798	.3	28.72
w/Fins	3549842	.3	28.72
Support, Brake (Backing Plate)			
w/10 x 1-3/4" Brakes	2880582-3	.9	10.86
w/10 x 2-1/2" Brakes	2880602-3699601	.9	12.02
w/11 x 2-1/2" Brakes	2880646-7	.9	12.68
Hose, Rear Brake			
All exc. w/9-3/4" Diff.	2200997	#.6	3.52
w/318 Eng. & 2.76 Ratio Diff.*	3404301	#.6	4.73
w/9-3/4" Differential	2208496	#.6	4.15
*w/Tee. #Includes Bleed Brakes.			
Shaft, Rear Axle			
6 Cyl. exc. S/W			
w/7-1/4" Dia. Ring Gear	3432798	#1.5	34.70
V8 w/318 Eng.			
w/8-1/4" Dia. Ring Gear	3420078	#1.3	38.80
All w/8-3/4" Dia. Ring Gear	3432774	#2.2	34.70
All w/9-3/4" Dia. Ring Gear	2881010-1	#2.2	67.19
#Includes R&R Bearings & Seals.			
Bearing Pkg., Axle Shaft			
w/7-1/4" Dia. Ring Gear	3420091	#	16.25
w/8-1/4" Dia. Ring Gear	2852949	#	6.40
w/8-3/4" Dia. Ring Gear	2525415	# (D)	8.70
w/9-3/4" Dia. Ring Gear	2525415	# (D)	8.70
#Use Axle Shaft Time.			

## REAR AXLE, Cont'd.

Oil Seal, Axle Shaft			
w/7-1/4" Dia. Ring Gear	2643464		2.20
w/8-1/4" Dia. Ring Gear	2852948		1.95
w/8-3/4" Dia. Ring Gear Outer	2404216		2.00
Inner	2881185		2.40
w/9-3/4" Dia. Ring Gear Outer	2404216		2.00
Inner	2852574		2.50
Housing, Rear Axle			
w/7-1/4" Dia. Ring Gear	3579289	5.0	133.54
w/8-1/4" Dia. Ring Gear	2881055	5.0	140.79
w/8-3/4" Dia. Ring Gear	2852838	5.0	123.42
w/9-3/4" Dia. Ring Gear	2881003	7.0	317.19

## REAR SUSPENSION



Spring, Rear (Standard)			
w/225 Eng.			
2 Dr. & 2 Dr. H. T.	3004651	1.0	42.95
2 Dr. H. T. (Charger)	3004655	1.0	42.95
4 Dr.	3004766	1.0	42.95
S/W (2 Seat)	3004592	1.0	48.66
(3 Seat)	3004593	1.0	48.66
Police & Taxi 2-4 Dr.	3004655	1.0	42.95
Police S/W	2585644	1.0	48.66
w/318-383 Eng.			
2 Dr. & 2 Dr. H. T.	3004766	1.0	42.95
2 Dr. H. T. (Charger)	3004655	1.0	42.95
4 Dr.	3420116	1.0	42.95
Conv.	3004654	1.0	42.95
w/426-440 Eng. (All)	3004768-7	1.0	65.46
All V8			
Super Bee	2585641	1.0	46.77
S/W (2 Seat)	3004592	1.0	48.66
(3 Seat)	3004593	1.0	48.66
Taxi	2585641	1.0	46.77
Police 2-4 Dr.	3004767	1.0	65.46
Police S/W	2585644	1.0	48.66
Spring, Rear (Heavy Duty)			
w/225 Eng.			
2-4 Dr. & 2 Dr. H. T.	3004655	1.0	42.95
S/W (2 Seat)	2585644	1.0	48.66
(3 Seat)	2585645	1.0	48.66
w/318-383 Eng.			
2-4 Dr. & 2 Dr. H. T.	2585641	1.0	46.77
Conv.	2585642	1.0	43.24
All V8			
S/W (2 Seat)	2585644	1.0	48.66
(3 Seat)	2585645	1.0	48.66
Spring, Rear (Extreme Duty)			
w/318-383 Eng.			
w/2 Bbl. Carb.	3004767	1.0	65.46
w/4 Bbl. Carb.	3004768-7	1.0	65.46
Main Leaf, Rear Spring (Std.)			
w/225 Eng.			
All exc. Charger, Pol. & Taxi	3004659	1.5	16.56
Charger, Police & Taxi	2585648	1.5	17.84
w/318-383 Eng.	3004659	1.5	16.56
w/426-440 Eng.	2808253	1.5	17.84
All V8			
Charger & Super Bee	2585648	1.5	17.84
S/W	3004659	1.5	16.56
Police 2-4 Dr.	2808253	1.5	17.84
Police S/W & Taxi	2585648	1.5	17.84
Main Leaf, Rear Spring (H/Duty)			
w/225-318-383 Eng.	2585648	1.5	17.84
w/426-440 Eng.	2808253	1.5	17.84
Main Leaf, Rear Spring (Ext. Duty)	2808253	1.5	17.84
Shock Absorber w/Bshgs., Rear			
1" Dia.	3722388	.7	14.90
1-3/8" Dia.	2948077	.7	21.15
Bushing (Only), Shock Upper	2201554		.98
Lower	1319902		.46
Sway Bar (or Shaft) Assy.	2462885	.7	26.08
Link, Sway Bar	2535188	.4	4.45
Insulator, Link	2071604		.39

Cont'd.

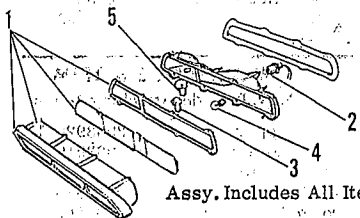
OCTOBER 1, 1974

DODGE

CORONET & CHARGER 1969

**REAR LAMP**

**TAIL, STOP, DIRECTIONAL & BACK-UP LAMP**  
CORONET, CORONET DELUXE, 440 & SUPER BEE  
(EXC. S/W)

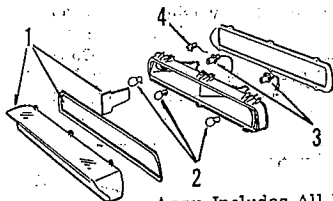


Assy. Includes All Items Illustrated.

Lamp Assy.	Up to 1-1-69	2930432-3	.4	26.15
	After 1-1-69	2930820-1	.4	26.15
1.	Bezel, Lens & Gskt. Pkg.	2932956-7	.4	18.31
2.	Socket T/Lamp	2822196		2.16
3.	B/Up Lamp	2926848		.99
4.	Bulb T/Lamp (1157)	9417867		.58
5.	B/Up Lamp (1156)	9417866		.59

NOTE: Other Components Not Serviced - Use Assembly.

**CORONET 500 & CORONET R/T**  
(EXC. S/W)



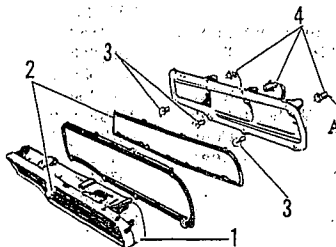
Assy. Includes All Items Illustrated.

NOTE: For Lens Between Tail Lamps - See Rear Body Panel.

Lamp Assy.		2930826-7	.4	22.03
1.	Lens, Gasket & Filter Pkg.	2932958-9	.4	9.40
2.	Bulb T/Lamp (1157) (2)	9417867		.58
	B/Up Lamp (1156)	9417866		.59
3.	Socket T/Lamp (2)	2587284		.72
4.	B/Up Lamp	2926848		.99

NOTE: Other Components Not Serviced - Use Assembly.

**TAIL, STOP & DIRECTIONAL LAMP**  
ALL CHARGER



Assy. Includes All Items Illustrated.

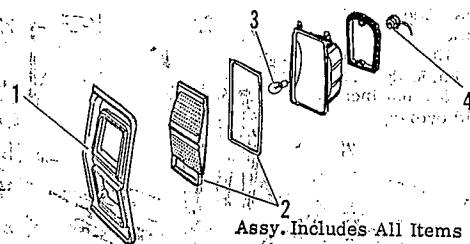
Lamp Assy.		2930988-9	.4	37.80
1.	Bezel	Not Serviced - Use Assembly		
2.	Lens & Gasket Pkg.	2932824-5	.4	23.01
3.	Bulb (1157) (3)	9417867		.58
4.	Socket * Up to 4-1-69	(2) 1841893		1.83
	After 4-1-69	(2) 2983478		1.06
	** Up to 4-1-69	2889776		1.12
	After 4-1-69	2983538		.99

\*Tail, Stop & Directional Lamp. \*\*Tail Lamp Only

NOTE: Other Components Not Serviced - Use Assembly.

**REAR LAMP, Cont'd.**

STATION WAGON

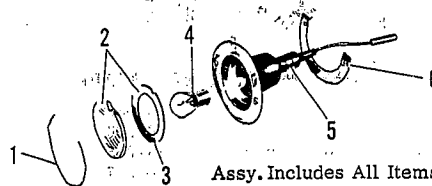


Assy. Includes All Items Illustrated.

Lamp Assy.		2930470-1	.6	16.47
1.	Bezel	2930482-3	.5	9.54
2.	Lens & Gasket Pkg.	2932764-5		6.45
3.	Bulb (1157)	9417867		.58
4.	Socket	2525669		1.68

NOTE: Other Components Not Serviced - Use Assembly.

**BACK-UP LAMP**  
ALL CHARGER & ALL S/W

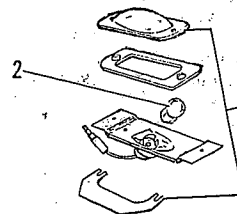


Assy. Includes All Items Illustrated.

Lamp Assy.		2930970	.5	6.99
1.	Retainer, Lens	2853439	(D)	.47
2.	Lens & Gskt. Pkg. Up to 1/69	2932954		1.43
	After 1/69	2932954		1.43
3.	Gasket (Only), Lens	2853437	(D)	2.16
4.	Bulb (1156)	9417866		1.59
5.	Socket	2983279		1.25
6.	Retainer, Mounting	2853440		.59

NOTE: Other Components Not Serviced - Use Assembly.

**LICENSE LAMP**

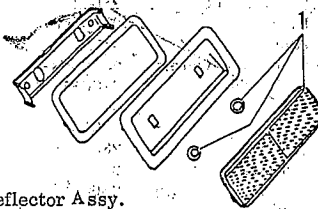


Assy. Includes All Items Illustrated.

1.	Lamp Assy.			
	All exc. S/W & Charger	3479400	.2	4.64
	S/W	2930916	.2	6.28
	Charger	2853561	.2	6.28
2.	Bulb (67)	142450		.28

NOTE: Other Components Not Serviced - Use Assembly.

**SIDE MARKER**



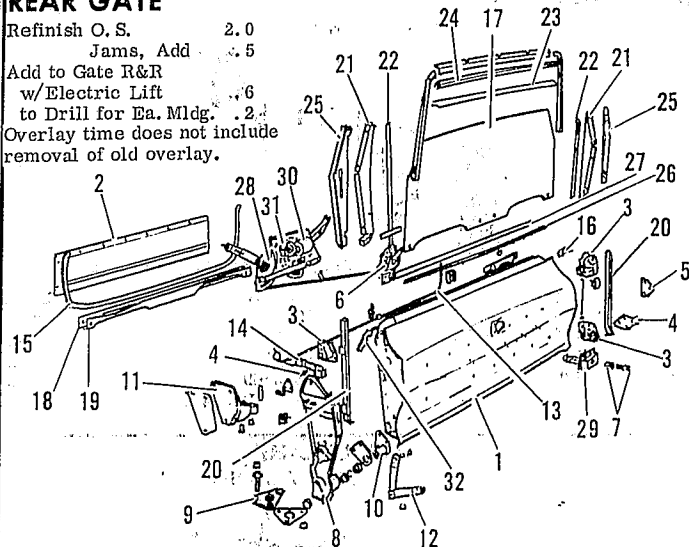
Assy. Includes All Items Illustrated.

Side Marker Reflector Assy.				
	All exc. S/W	3420608		4.13
	S/W exc. 500	3420611		2.88
	500 Up to 1-1-69	3420612		5.17
	After 1-1-69	3420606		3.73
1.	Reflector & Gskt. Pkg.			
	All exc. S/W Up to Jan. '69	2930746		1.38
	After Jan. '69	2930958		1.38
	S/W	2930968		1.38

NOTE: Other Components Not Serviced - Use Assembly.

REAR GATE

Refinish O. S. 2.0  
 Jams, Add .5  
 Add to Gate R&R  
 w/Electric Lift  
 to Drill for Ea. Mldg. .2  
 Overlay time does not include  
 removal of old overlay.



SHEET METAL & HARDWARE

1. Tailgate	2934539	4.5	174.27
2. Cover, Inside	2860260	.3	11.82
3. Latch (Lock), T/Gate Upper Rt.	2862088	#	8.51
Lt.	2862077	#	6.86
Lower Rt.	2862100	#	7.65
#One .7, All 1.0.			
4. Striker, Latch	Upper Rt. 6027528	.2	1.11
Lt.	2945413	.2	1.97
Lower Rt.	3454480	.2	2.68
5. Plate, Lock Striker	Rt. 2862272	1.11	1.11
6. Remote Control, Latch	3454189	7.27	
7. Cylinder & Keys Pkg.			
Doors, Ignition & T/Gate			
Manual (2 Seat)	2935820	#	8.94
Electric (2-3 Seat)	2935821	#	9.27
Doors, Ignition, T/Gate			
& Glove Box (2 Seat)	2935847	#	10.34
*Not Available Separately.			
#R&R for T/Gate .7, Door .5, Glove Box .3, Ignition .3.			
8. Hinge, Tailgate	Lt. 2945162	1.6	42.02
9. Support Hinge Lower Outer *	2862129		4.10
10. Inner **	2862131		4.70
* Pivot Point when T/Gate is used as Door.			
**Pivot Point when T/Gate is used as T/Gate.			
11. Strap, Hinge Upper Pivot	2862115	24.02	
12. Link, Tailgate Support	2862118	1.97	
13. Torsion Bar, Hinge	2945066	1.6 (D)	4.16
14. Wedge, T/Gate Upper	Lt. 2862275	15.24	
15. W/Strip, T/G Opng. Lower	2860363	.3	6.99
16. Seal, T/G Pillar (at Belt)	2860844-5	1.56	

GLASS & PARTS

17. Glass, Tailgate	(Glass Co.) (Car Mfr.)		
Clear NAGS B4066	Use 2860104	.9	Use
Tinted	Glass Price List 2860105		Glass Price List
18. Frame (Channel), Glass Lower	2860103	3.73	
19. Gasket, Lower Frame	2860360	4.31	
20. Channel, Glass Run			
Qtr. Retainer Inner & Outer	3439308-9	4.48	
Lower Complete	2860814-5	.6	4.52
21. On Qtr. Panel Outer	2861334-5	.4	3.99
22. Inner	2860476-7	.4	8.83
23. Upper Roof Rear	2574657	.3	4.16
Lower (2)	2860621	.6	1.62
Retainer, Glass Run			
24. Upper Roof Rear	2573304	3.92	
25. Side	2860764-5	5.09	
Weatherstrip, Glass Belt			
26. Outer	2860362	.2	3.13
27. Inner	2861597	.2	3.01
28. Regulator, Window			
Manual	2862257	.8	26.80
Electric	2862449	.9	33.08

Cont'd.

REAR GATE, Cont'd.

GLASS & PARTS, Cont'd.

29. Handle, Outside	Partial	2583331	O/H 1.0	6.09
	Complete	2583022		.7
30. Motor, Regulator		2448640		.9
31. Mechanism, Elect. Regulator		2486882		.9
32. Wiring, Tailgate		2889433		.6

MOULDINGS & TRIM

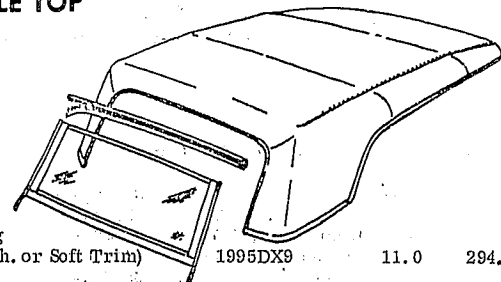
Pkgs. Includ. Attaching Parts.

Mldg. Pkg., T/G Upper	2933920-1	.3	5.17
Lower	2933919*	.3	9.54
Ornament, T/G Center			
w/Electric Lift	2862816		6.28
Nameplate "Dodge" Deluxe	2888866	.3	2.37
Letter "D" (2) "O" "G" "E"	440 & 500 2963990 - 991 - 993 - 994	# (Ea)	.99
#One or All .3.			
Wood Grain Overlay (500)	2963977	#	12.86
# 1.5 w/Mldgs. Removed & After Painting.			
Mldg., Roof Rear Edge	2573303	.4	7.03
Mldg. Pkg., Pillar Upper	3004382-3	.3	10.32
Filler Cap, T/G Washer	3431050		2.81
Bezel, Cap	2983069		1.18

WIPER & WASHER PARTS

Blade w/Refill, Wiper Center	2857981	1.25	
Sides	2884398	(D)	4.95
Refill, Blade Sides	2884399		2.40
Arm, Wiper Blades	2889940		14.05
Support w/Bracket, T/G Washer	2889800		7.98
Nozzle, Washer (2)	2926932	.3	3.80
Actuator, Washer	2857960		2.06
Pump & Seal Pkg., Washer	3004121	.6	14.96
Reservoir & Seal Pkg., Washer	3004120	.6	4.24

CONVERTIBLE TOP



Top, Folding (w/o Mech. or Soft Trim)	1995DX9	11.0	294.16
Cover, Top (w/o Back Curtain) White	1937DW1	4.3 (D)	94.52
Black	1937DX9	4.3 (D)	94.52
Back Curtain w/Glass (w/o Zipper) White	1902EW1	#4.2 (D)	100.56
Black	1902EX9	#4.2 (D)	100.56
#Excw/Top Cover Removed 1.2.			
Zipper, Rear Curtain Black	1972EX8	4.7 (D)	6.20
Header (Complete)	2605327	2.0	53.73
Weatherstrip, Header	2573632	.3	5.24
Front	2901268	.6	6.92
Retainer, W/Strip (Hdr.) Center	2573882		3.92
Weatherstrip, Side Rail Front	2528286-7	.3	4.19
Center	2573536-7	.3	4.19
Rear	2841050	.3	2.49
Retainer, S/Rail W/Strip Front	2573528-9		4.73
Center	2573530-1		3.73
Rear	2840210		3.86
Bow, Top No. 1	2573406	1.4	9.21
No. 2	2573407	1.4	9.21
No. 3	2784300	2.5	20.13
Mechanism, Header Locking	2520610-1	.3	13.07
Bracket or Catch, Header Lock *	2842630-1		11.18
*Includes Sun Visor Arm.			
Latch, Mechanism Handle	3454383	.3	2.28
Cylinder w/Yoke, Top Lift (2)	3505226	.8	36.28
Hose, Upper	2422143	.7	12.16
Hose, Lower	2573658	.7	8.96
Motor w/End Plate	2573838	.9	52.54
Rotor Pkg., Motor Pump	2573840		5.67
Reservoir w/Bracket, Pump	2573847	.9	8.77